

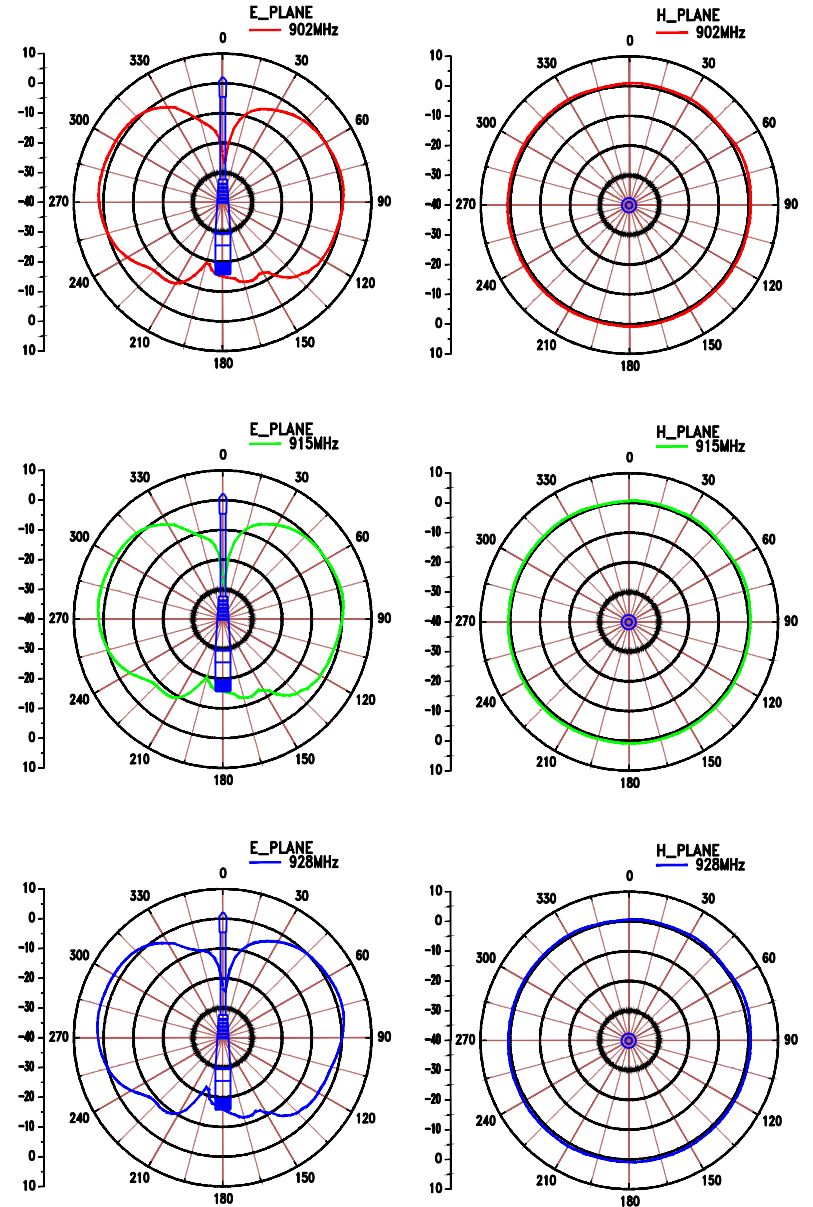
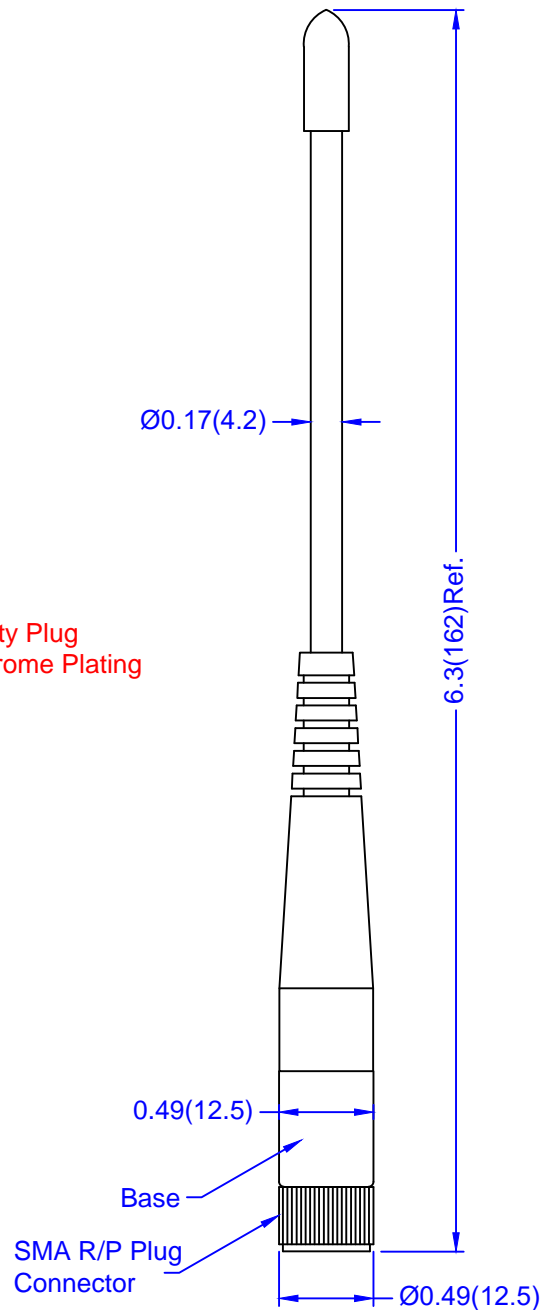
Electrical Properties:

Frequency Range: 902~928 MHz
 Impedance: 50Ω nominal
 VSWR: <2.0:1
 Gain: 2.5 dBi
 Radiation: Omni
 Polarization: Vertical
 Wave: ½wave loaded

Mechanical Properties:

Material:
 Whip: Wire (Black)
 Base: Polyacetal(Black)
 Connector: SMA Reverse Polarity Plug
 Brass with Black Chrome Plating
 Operation Temp.: -20°C to +65°C
 Storage Temp.: -30°C to +75°C

This is a RoHS compliant product.



TITLE	900MHz ISM Band Straight Antenna -161 Model		Rev. Date	SHEET
UNIT	DWG. NO.	S161AH - 915	04/25/24	1 of 1
in.(mm)				
SCALE				
none				

NEARSON

<http://www.nearson.com>