

P/N S467FL-L-RMM-915S

Alternative Connectors

.Straight MMCX Plug

P/N: S467FL-L-MM-915S

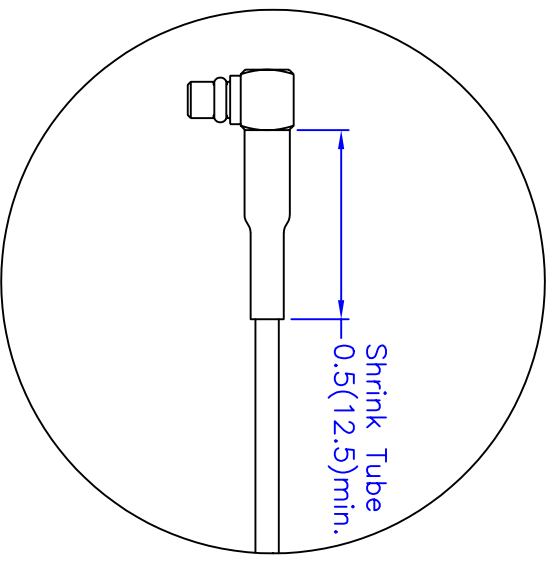
ECN

Date

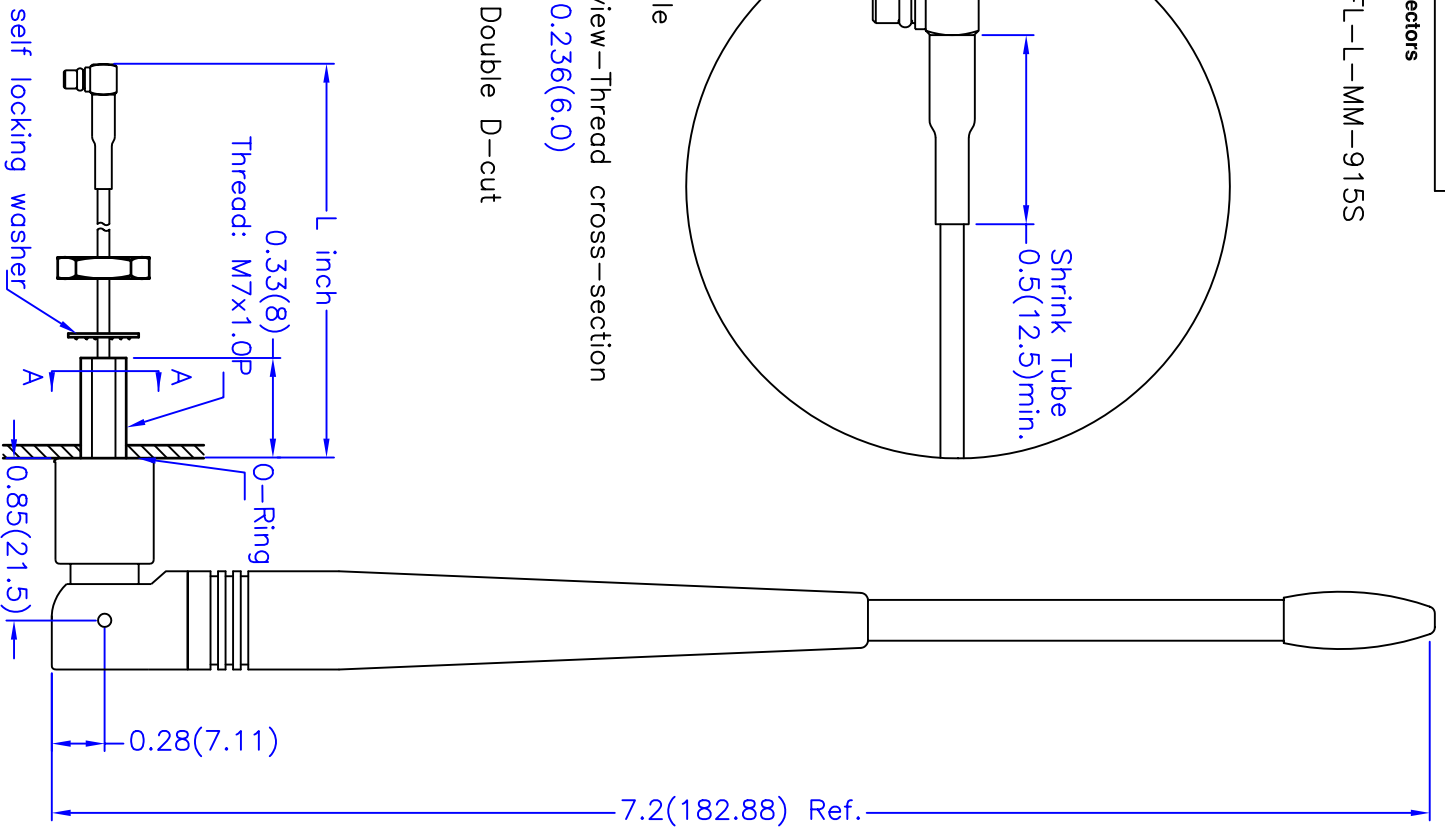
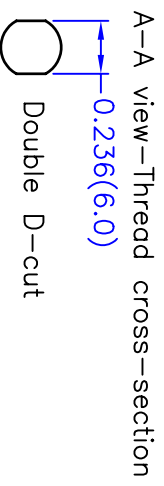
Description

8/30/02

change mounting thread/hole from round to double D-cut



Mounting Hole



Electrical Properties:

- Frequency Range: 902~928 MHz
 - Impedance: 50Ω nominal
 - VSWR: <2.0:1
 - Gain: *2.0 dBi
 - Radiation: Omni
 - Polarization: Vertical
 - Wave: Half-Wave Dipole
- *Gain is measured under no flying lead.

Mechanical Properties:

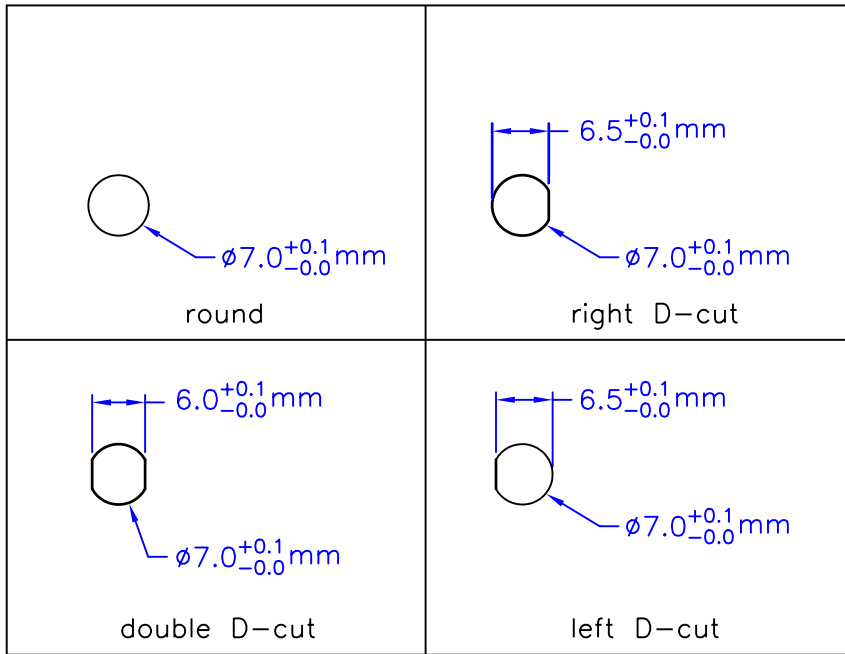
- Cable: M17/93-RG178; Harbour Industries
- Cable Length: Standard length L=5 inches, or to be specified.
- Connector: R/A MMCX Plug(male); Nearson 25-03M-TGG
- Material: Overmold: Polyurethane(Black); BASF
- Swivel: Polyurethane(Black); BASF and Polycarbonate(Black); Bayer
- Operation Temp.: -20°C to +65°C
- Storage Temp.: -30°C to +75°C

TITLE	900MHz Fixed Mount Swivel Antenna - 467 Model	DATE	SHEET
UNIT	DWG. NO.		1 of 2
in.(mm)	S467FL-L-RMM-915S		
SCALE			
None			

NEARSON

ECN	Date	Description
	8/30/02	change mounting thread/hole from round to double D-cut

Alternative Connectors
 .Straight MMCX Plug
 P/N: S467FL-L-MM-915S



Recommended Mounting-Hole Dimensions

L (inch)	Attenuation (dB)
3"	0.13 dB
4"	0.17 dB
5"	0.22 dB
6"	0.26 dB
8"	0.34 dB
10"	0.43 dB
12"	0.52 dB

Flying Lead Cable Length v.s. Attenuation Table
 Standard M17/93-RG178 Cable Measured @1.0GHz

TITLE	900MHz Fixed Mount Swivel Antenna - 467 Model		DATE	SHEET
				2 of 2
UNIT	DWG. No.	S467FL-L-RMM-915S		
in.(mm)		NEARSON		
SCALE				
None				