

Ordering Information

Figure 3 - AC4490 (with Integral GigaAnt Antenna) Mechanical

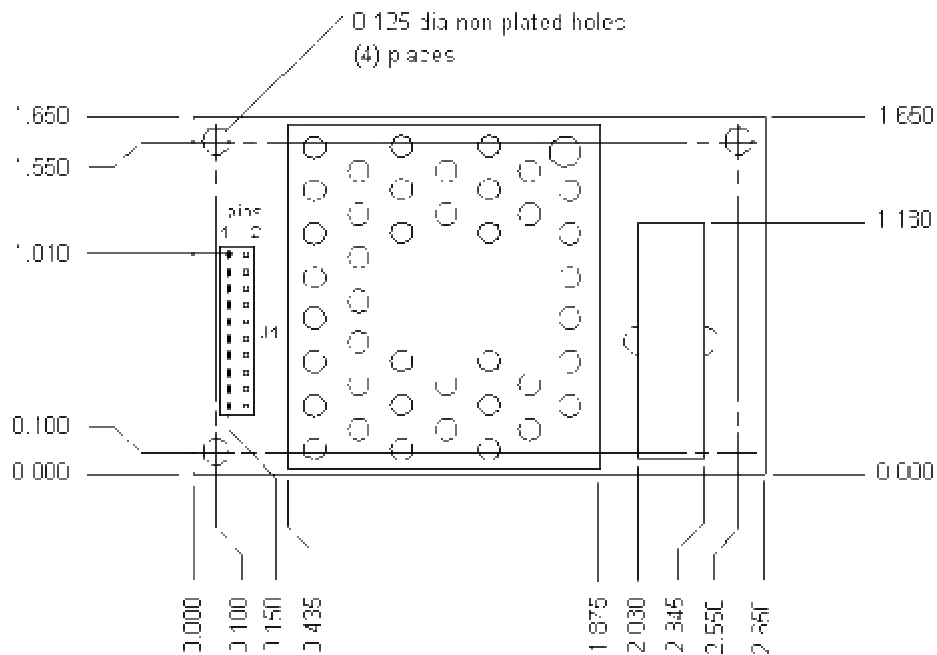
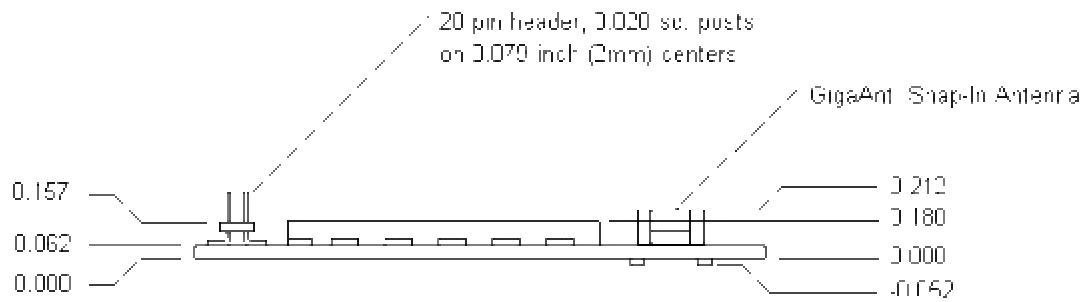
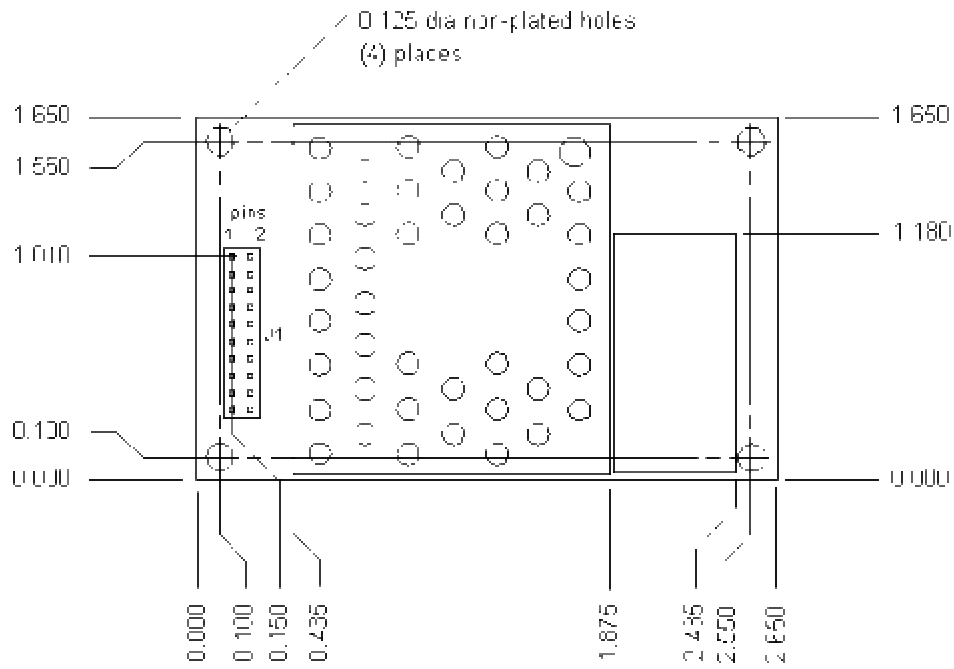
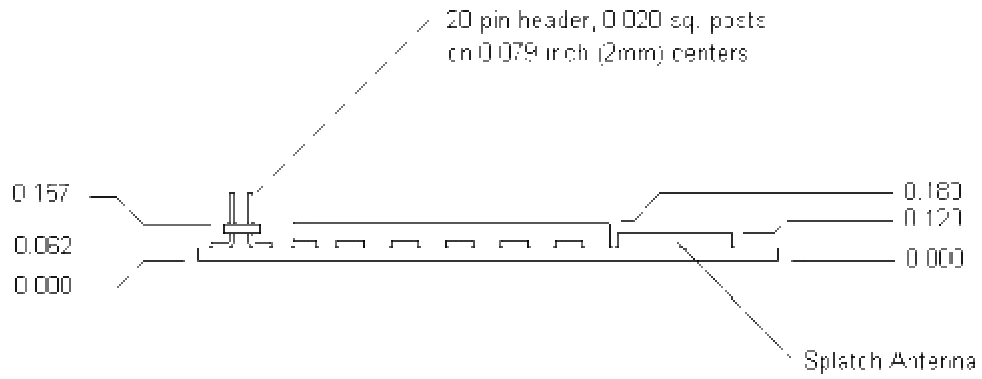


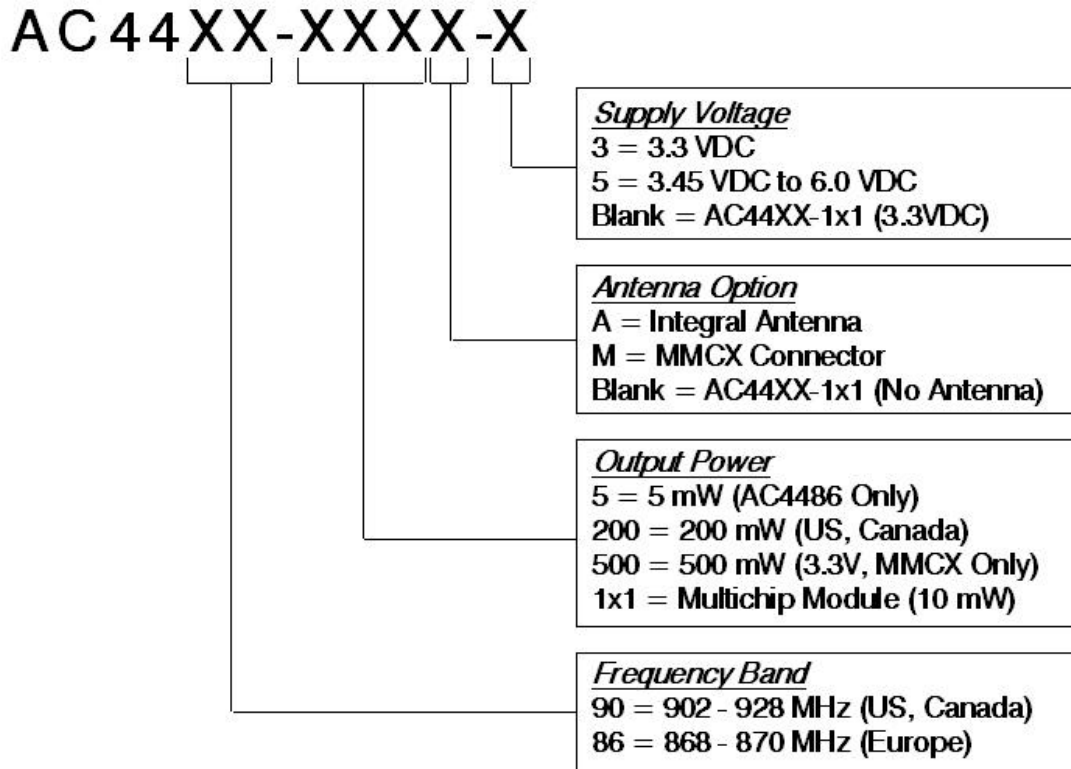
Figure 4 - AC4490/AC4486 (with Integral Splat Antenna) Mechanical

Ordering Information



7. Ordering Information

7.1 PRODUCT PART NUMBER TREE



7.2 DEVELOPER KIT PART NUMBERS

With the exception of part number AC44xx-1x1, all the above part numbers can be ordered as a development kit by prefacing the part number with "SDK-". As an example, part number AC4490-200A-3 can be ordered as a development kit using the following part number: SDK-AC4490-200A-3.

All Developer Kits include (2) transceivers, (2) Serial Adapter Boards, (2) 6VDC unregulated power supplies, (2) Serial cables, (2) USB cables, (2) S467FL-6-RMM-915S dipole antennas with 6" pigtail and MMCX connector, configuration/testing software, and integration engineering support.

8. Agency Compliancy Information

8.1 AGENCY IDENTIFICATION NUMBERS

Agency compliancy is a very important requirement for any product deployment. AeroComm has obtained modular approval for its products so the OEM only has to meet a few requirements to be eligible to use that approval. The corresponding agency identification numbers and approved antennas are listed in the table below.

Table 16 – Agency Identification Numbers

Part Number	US/FCC	CAN/IC	EUR/EN
AC4490-200	KQL-AC4490-100	2268C-AC4490	
AC4490-1000	X	X	
AC4486-5			X
AC4486-500			X

8.2 APPROVED ANTENNA LIST

Table 17 – AC4490/AC4486 Approved Antenna List

AeroComm Part Number	Manufacturer Part Number	Manufacturer	Type	Gain (dBi)	AC4490-200A	AC4490-200M	AC4490-1000M	AC4486-5A	AC4486-5M	AC4486-500M
0600-00019	S467FL-5-RMM-915S	Nearson	½ Wave Dipole	2		PM	M			
0600-00025	S467FL-5-RMM-915	Nearson	½ Wave Dipole	2		PM	M			
0600-00024	S467AH-915S	Nearson	½ Wave Dipole	2		PM	M			
0600-00027	S467AH-915	Nearson	½ Wave Dipole	2		PM	M			
0600-00028	S161AH-915R	Nearson	½ Wave Dipole	2.5		PM	M			
0600-00029	S161AH-915	Nearson	½ Wave Dipole	2.5		PM	M			
0600-00030	S331AH-915	Nearson	¼ Wave Dipole	1		PM	M			
0600-00020	S467FL-6-RMM-868S	Nearson	¼ Wave Dipole	2					PM	M
	I020B5812-04 Flavus	gigaAnt	Microstrip	-0.5	PM			PM		
	ANT-915-SP	Linx Tech	Microstrip	-1	PM					

Agency Compliancy Information

	ANT-868-SP	Linx Tech	Microstrip	-1				PM		
--	------------	-----------	------------	----	--	--	--	----	--	--

8.3 FCC/INDUSTRY CANADA (IC) REQUIREMENTS FOR MODULAR APPROVAL

In general, there are two classifications of wireless applications; portable and mobile.

Portable – Portable is a classification of equipment where the user, in general, will be within 20cm of the transmitting antenna. Portable equipment is further broken into two classes; within 2.5cm of human contact and beyond 2.5cm (NOTE: Ankles, feet, wrists and hands are permitted to be within 2.5cm of the antenna even if the equipment is designated as being greater than 2.5cm).

Mobile – Mobile defines equipment where the user will be 20cm or greater from the transmitting antenna. The antenna must be mounted in such a way that it cannot be moved closer to the user with respect to the equipment, although the equipment may be moved. NOTE: Ankles, feet, wrists and hands are permitted to be within 20cm of mobile equipment.

8.3.1 OEM Equipment Labeling Requirements




WARNING: The Original Equipment Manufacturer (OEM) must ensure that FCC labeling requirements are met. This includes a clearly visible label on the outside of the OEM enclosure specifying the appropriate AeroComm FCC identifier for this product as well as the FCC Notice below. The FCC identifiers are listed above in the Agency Identification Numbers chart.



WARNING: This device complies with Part 15 of the FCC Rules. Operation is subject to the following two conditions: (1) This device may not cause harmful interference, and (2) This device must accept any interference received, including interference that may cause undesired operation.


Agency Compliancy Information

8.3.2 Antenna Requirements


 **WARNING:** This device has been tested with an MMCX connector with the antennas listed above. When integrated in the OEMs product, these fixed antennas require installation preventing end-users from replacing them with non-approved antennas. Any antenna not in the previous table must be tested to comply with FCC Section 15.203 for unique antenna connectors and Section 15.247 for emissions. Contact Aerocomm for assistance.

8.3.3 Warnings Required in OEM Manuals


RF Exposure Warning for Portable Equipment (<2.5cm)

 **WARNING:** This equipment has been approved for portable applications where the equipment can be used in direct contact with the human body. Excessive RF exposure should be avoided.

RF Exposure Warning for Portable Equipment (>2.5cm)

 **WARNING:** This equipment has been approved for portable applications where the equipment should be used at distances greater than 2.5cm from the human body (with the exception of hands, wrists, feet and ankles). Operation at distances less than 2.5cm is strictly prohibited. Excessive RF exposure should be avoided.

RF Exposure for Warning for Mobile Equipment

 **WARNING:** This equipment has been approved for mobile applications where the equipment should be used at distances greater than 20cm from the human body (with the exception of hands, wrists, feet and ankles). Operation at distances less than 20cm is strictly prohibited. Excessive RF exposure should be avoided.

8.4 EUROPE/ETSI REQUIREMENTS FOR MODULAR APPROVAL

Certification is underway and details will be provided shortly.