

Quick-start guide
H-6588-8500-06-A

RENISHAW 
apply innovation™

RPL40



EN		Publications for this product are available by scanning the barcode or visiting www.renishaw.com/r1p40 .	
DE		Weitere Informationen zu diesem Produkt sind unter folgendem Link www.renishaw.de/r1p40 abrufbar.	
ES		Las publicaciones para este producto están disponibles a través de www.renishaw.es/r1p40 .	
FR		Les documentations pour ce produit sont disponibles en visitant le site www.renishaw.fr/r1p40 .	
IT		La documentazione per questo prodotto è disponibile visitando il sito www.renishaw.it/r1p40 .	
日本語		本製品に関する資料は、 www.renishaw.jp/r1p40 からダウンロードいただけます。	

PL		Publikacje dotyczące tego produktu są dostępne w witrynie www.renishaw.pl/r1p40 .	
CS		Dokumentaci k produktu najdete na www.renishaw.cz/r1p40 .	
RU		Документация по данному изделию доступна на сайте www.renishaw.ru/r1p40 .	
中文 (繁體)		請訪問雷尼紹網站以獲得此產品的的相關文件檔案： www.renishaw.com.tw/r1p40 。	
中文 (简体)		请访问雷尼绍网站以获得此产品的相关文档 www.renishaw.com.cn/r1p40 。	
한국어		이 제품의 관련 자료는 www.renishaw.co.kr/r1p40 에서 확인 가능 합니다.	

This page is intentionally left blank.

Safety

Information to the user

The RLP40 is supplied with two non-rechargeable ½AA lithium-thionyl chloride batteries (Please refer to the *RLP40 radio machine probe* installation guide [Renishaw part no. H-6588-8504]). Lithium batteries must be approved to (BS EN 62133:2013 [IEC 62133:2012]). Once the charge in the batteries is depleted, do not attempt to recharge them.



The use of this symbol on the batteries, packaging or accompanying documents indicates that used batteries should not be mixed with general household waste. Please dispose of the used batteries at a designated collection point. This will prevent potential negative effects on the environment and human health which could otherwise arise from inappropriate waste handling. Please contact your local authority or waste disposal service concerning the separate collection and disposal of batteries. All lithium and rechargeable batteries must be fully discharged or protected from short circuiting prior to disposal.

Please ensure replacement batteries are of the correct type and are fitted in accordance with the instructions in the installation guide (Please refer to the *RLP40 radio machine probe* installation guide [Renishaw part no. H-6588-8504]) for further information. For specific battery operating, safety and disposal guidelines, please refer to the battery manufacturer's literature.

- Ensure that all batteries are always inserted with the correct polarity.
- Do not store batteries in direct sunlight or rain.
- Do not expose to heat or dispose of the batteries in a fire.

- Avoid forced discharge of the battery.
- Do not short-circuit or force discharge the batteries.
- Do not disassemble, pierce, deform or apply excessive pressure to the batteries.
- Do not swallow the batteries.
- Keep the batteries out of the reach of children.
- Do not allow batteries to get wet.
- Do not mix new and used batteries or battery types, as this will result in reduced life and damage to the batteries.
- If a battery is damaged, exercise caution when handling to avoid contact with electrolyte.

Please ensure that you comply with international and national battery transport regulations when transporting batteries or the products.

NOTE: Lithium batteries are classified as dangerous goods and strict controls apply to their shipment by air. To reduce the risk of shipment delays, if you need to return the RLP40 to Renishaw for any reason, do not return any batteries.

In all applications involving the use of machine tools, eye protection is recommended.

The RLP40 has a glass window. Handle with care if broken to avoid injury.

Information to the machine supplier/installer

It is the machine supplier's responsibility to ensure that the user is made aware of any hazards involved during operation, including those mentioned in Renishaw product literature, and to ensure that adequate guards and safety interlocks are provided.

Under certain circumstances, the probe signal may falsely indicate a probe seated condition. Do not rely on probe signals to halt the movement of the machine.


Information to the equipment installer

All Renishaw equipment is designed to comply with the relevant EU and FCC regulatory requirements. It is the responsibility of the equipment installer to ensure that the following guidelines are adhered to, in order for the product to function in accordance with these regulations:

- any interface **MUST** be installed in a position away from any potential sources of electrical noise, i.e. power transformers, servo drives etc;
- all 0 V/ground connections should be connected to the machine "star point" (the "star point" is a single point return for all equipment ground and screen cables). This is very important and failure to adhere to this can cause a potential difference between grounds;
- all screens must be connected as outlined in the user instructions;
- cables must not be routed alongside high current sources, i.e. motor power supply cables etc, or be near high-speed data lines;
- cable lengths should always be kept to a minimum.

Equipment operation

If this equipment is used in a manner not specified by the manufacturer, the protection provided by the equipment may be impaired.

Batteries	$\frac{1}{2}$ AA (3.6 V) lithium-thionyl chloride \times 2	
	<p data-bbox="310 150 358 194">✓</p> <p data-bbox="398 150 618 170">Saft LS 14250</p> <p data-bbox="398 202 594 222">Tadiran SL-750</p> <p data-bbox="398 253 609 274">Xeno XL-050F</p>	<p data-bbox="719 150 768 194">✗</p> <p data-bbox="801 150 1024 170">Dubilier SB-AA02</p> <p data-bbox="801 202 988 222">Maxell ER3S</p> <p data-bbox="801 253 1072 274">Sanyo CR 14250 SE</p> <p data-bbox="801 305 1120 398">Tadiran SL-350, SL-550, TL-4902, TL-5902, TL-2150, TL-5101</p> <p data-bbox="801 429 1024 450">Varta CR $\frac{1}{2}$ AA</p>

Fitting the stylus

1



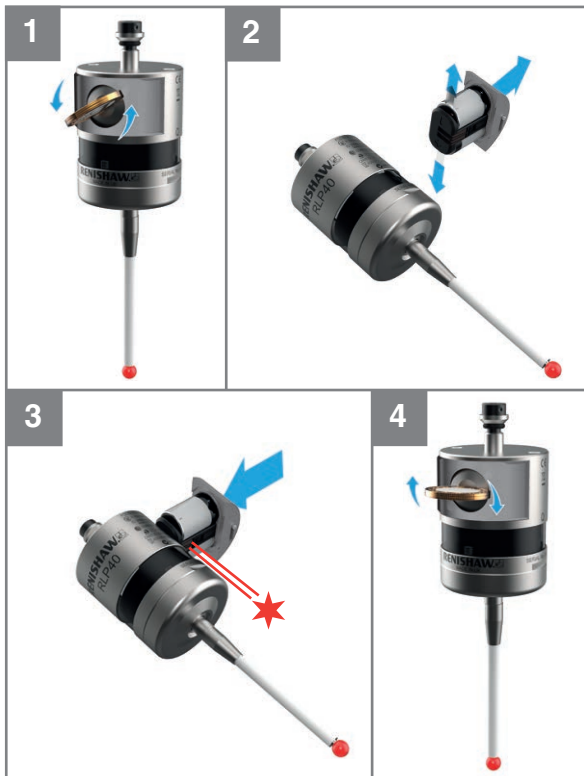
2



CAUTION

Please remove the battery isolation device from the battery compartment before use.

★ Take care not to short the battery contacts as this may be a fire hazard. Ensure the contact strips are located securely..



EN

Configuring the probe

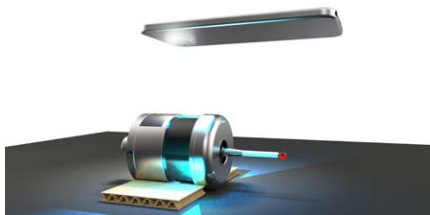
Probe settings can be reviewed and configured by using the Opti Logic technique or Trigger Logic™ technique.

The Probe Setup app enables the application of Opti Logic and provides interactive instructions and informative videos to apply Trigger Logic to review and configure settings and to partner the probe.



Configuring the probe with Opti Logic

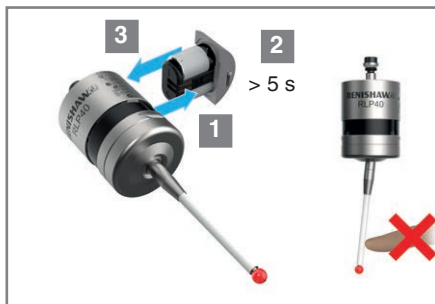
Opti Logic is accessed via the Probe Setup app.







For full details about Opti Logic, refer to the Probe Setup app which is available for download on the App Store or Google Play.










Reviewing the probe settings

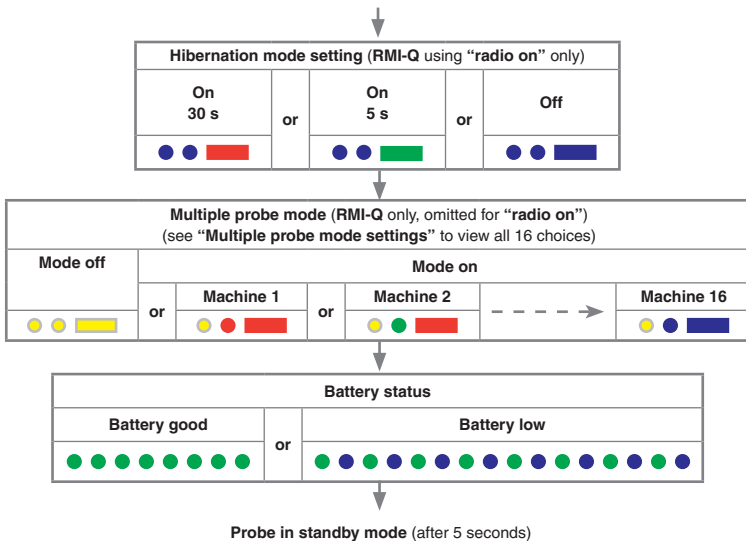


Key to the symbols	
	LED short flash
	LED long flash

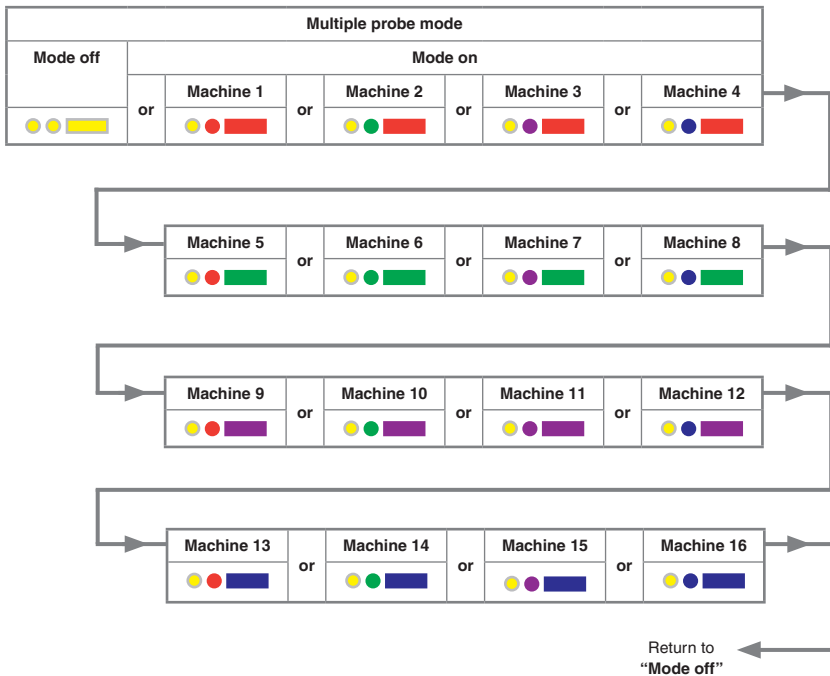
Switch-on method	
Radio on (omitted if "Multiple probe mode" was selected)	Spin on
	

Switch-off method						
Radio off or Spin off	or	Short timeout 12 s	or	Medium timeout 33 s	or	Long timeout 134 s
						

Trigger filter				
Level 1 (off)	or	Level 2 (10 ms)	or	Level 3 (20 ms)
				



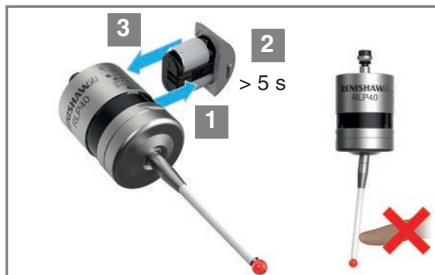
Multiple probe mode settings (RMI-Q application only)



This page is intentionally left blank.

Probe partnering function

Using Trigger Logic™ the probe partnering function enables the probe to be partnered with RMI-Q or RMI-QE.



Key to the symbols	
	LED short flash
	LED long flash
	Deflect the stylus for less than 4 seconds to move to the next menu option.
	To exit, leave the stylus untouched for more than 120 seconds.
	Partnering successful. Probe is now in standby.

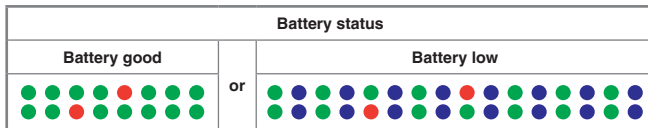


All probe settings will be shown, ending with "Battery status" being displayed.

Battery status		
Battery good	or	Battery low



Whilst the **"Battery status"** is being displayed, deflect and release the stylus to enter **"Partnering mode off"**. Probe status will flash red to acknowledge this.



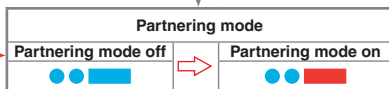
At this point turn on either the RMI-Q or RMI-QE.

With RMI-Q switched on



RMI-Q

After 8 seconds



120 seconds probe in standby

Partnering successful

20 seconds probe in standby

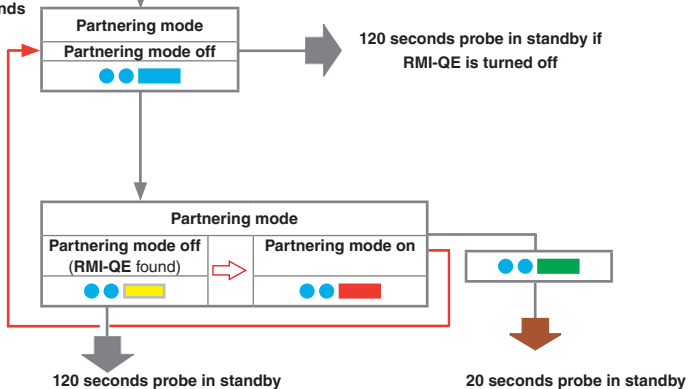
If partnering is unsuccessful **"Partnering mode off"** will be displayed again after 8 seconds. Deflect the stylus for less than 4 seconds to select **"Partnering mode on"** again.

Or for RMI-QE see next page

With RMI-QE switched on



After 8 seconds



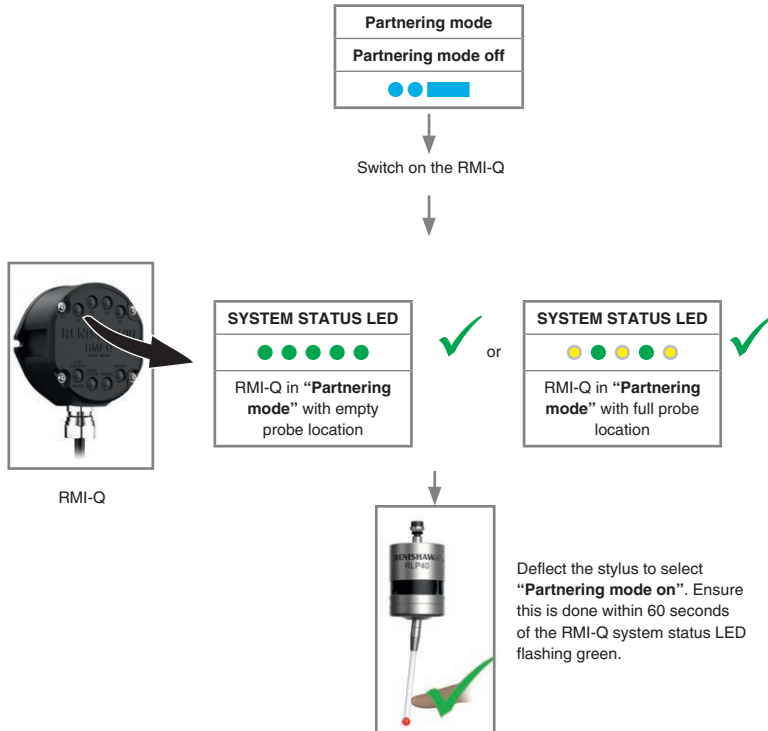
If partnering is unsuccessful "Partnering mode off" will be displayed again after 8 seconds.

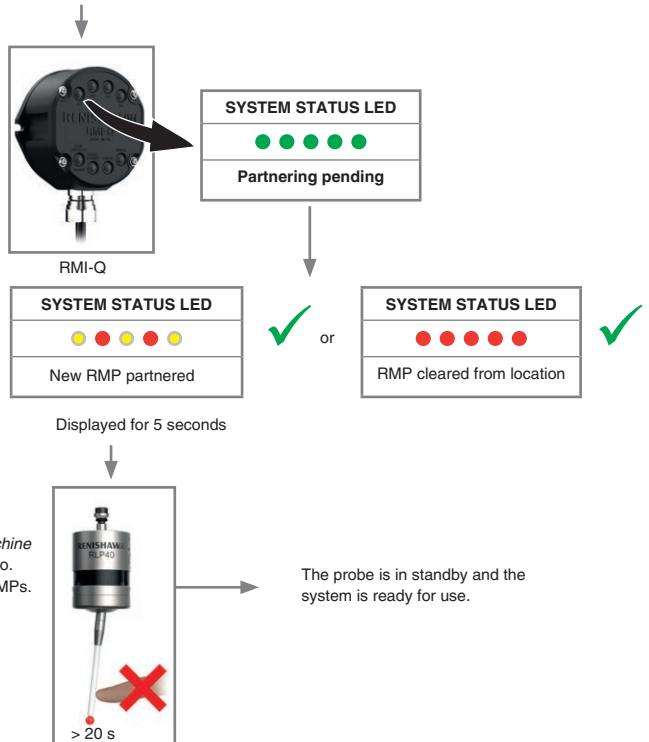
Deflect the stylus for less than 4 seconds to select "Partnering mode on" again.

This page is intentionally left blank.

RLP40 – RMI-Q partnership

System set-up can be achieved by using Trigger Logic™.

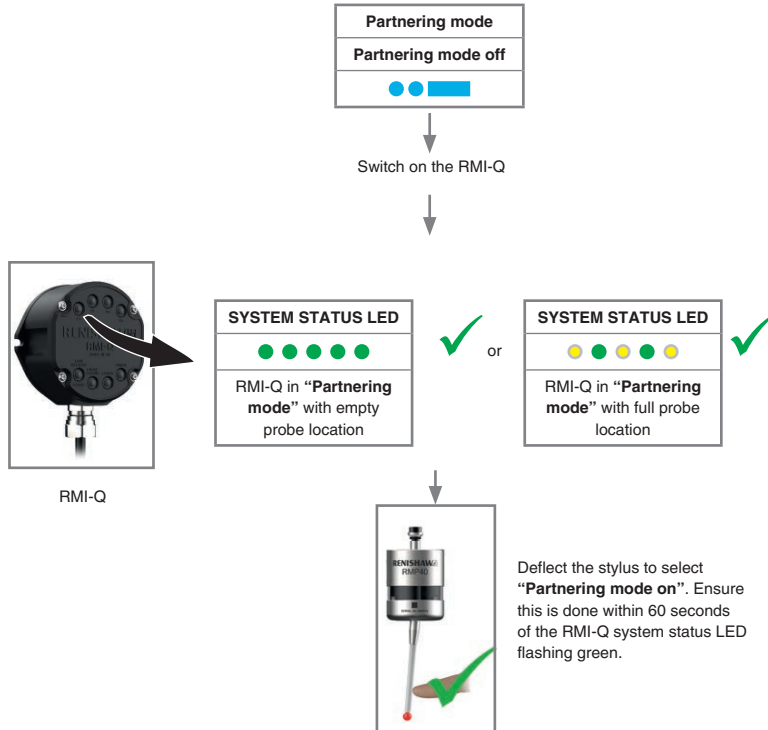


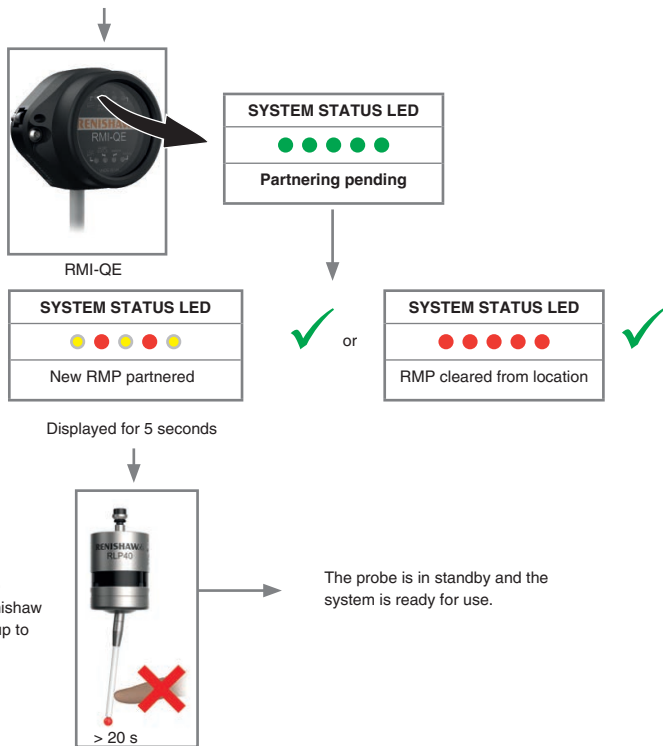


NOTE: Please refer to the *RMI-Q radio machine interface* installation guide (Renishaw part no. H-5687-8504) when partnering up to four RMPs.

RLP40 – RMI-QE partnership

System set-up can be achieved by using Trigger Logic™.

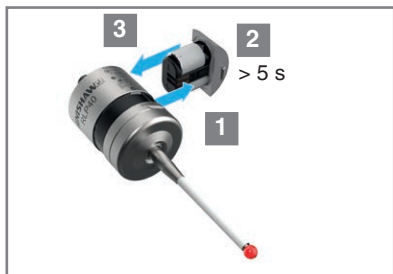




NOTE: Please refer to the *RMI-QE radio machine interface* installation guide (Renishaw part no. H-6551-8501) when partnering up to four RMPs.

Changing the probe settings (when using with a RMI-Q)

Probe settings can be changed using Trigger Logic™.



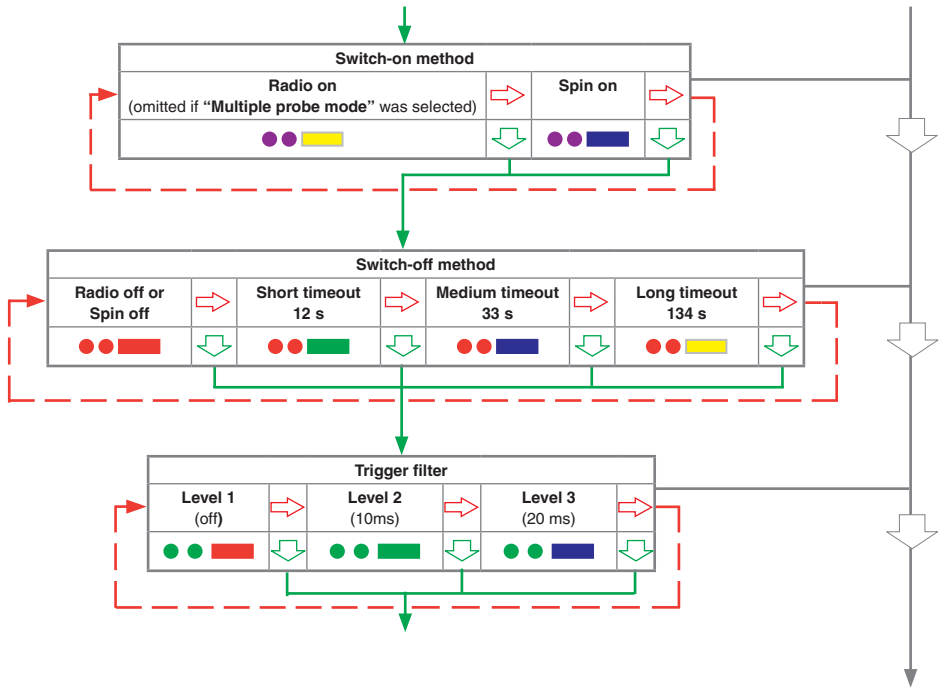
Deflect the stylus and hold it deflected until after the battery status has been displayed at the end of the review sequence.

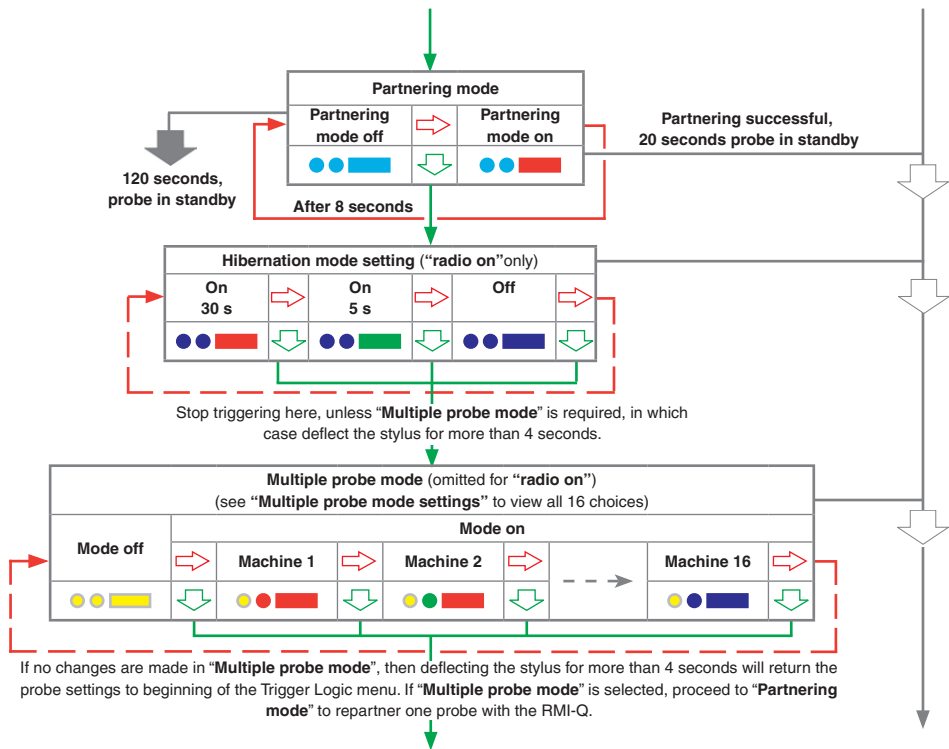
Key to the symbols	
	LED short flash
	LED long flash
	Deflect the stylus for less than 4 seconds to move to the next menu option.
	Deflect the stylus for more than 4 seconds to move to the next menu.
	To exit, leave the stylus untouched for more than 120 seconds.
	To exit, leave the stylus untouched for more than 20 seconds.

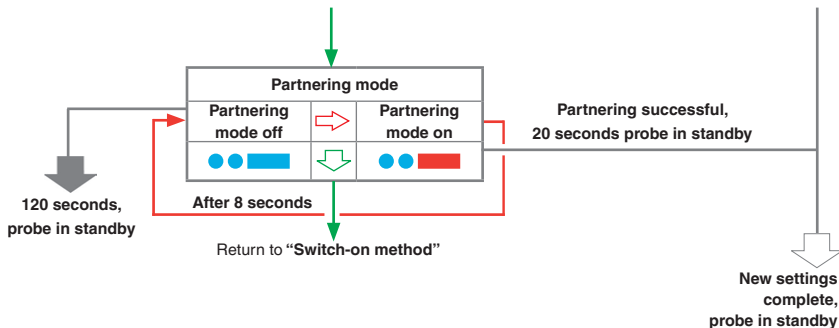
Battery status		
Battery good	or	Battery low

To partner the probe and/or change the probe settings, go to the next page.

CAUTION: Do not remove the batteries whilst in configuration mode. To exit, leave the stylus untouched for more than 20 seconds.







NOTES:

If using **"Multiple probe mode"**, refer to the *RMI-Q radio machine interface* installation guide (Renishaw part no. H-5687-8504).

Further probes require the same **"Multiple probe mode"** setting, but there is no need to be partnered with the RMI-Q.

To partner an RLP40 with an RMI-Q see RLP40 – RMI-Q partnership. Once partnering has been successful, the RLP40 will revert to **"Partnering mode off"**.

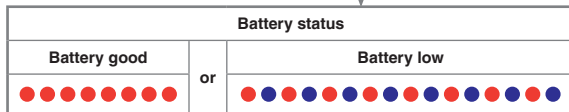
Changing the probe settings (when using with a RMI-QE)

Probe settings can be changed using Trigger Logic™.



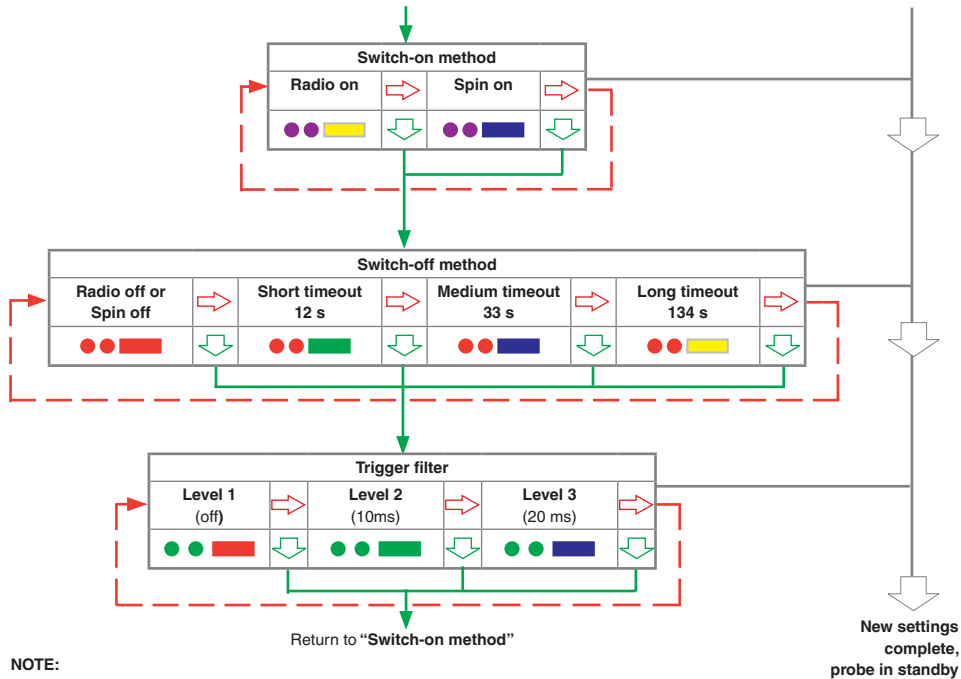
Deflect the stylus and hold it deflected until after the battery status has been displayed at the end of the review sequence.

Key to the symbols	
•	LED short flash
■	LED long flash
⇒	Deflect the stylus for less than 4 seconds to move to the next menu option.
⇓	Deflect the stylus for more than 4 seconds to move to the next menu.
⬇	To exit, leave the stylus untouched for more than 120 seconds.
⬇	To exit, leave the stylus untouched for more than 20 seconds.



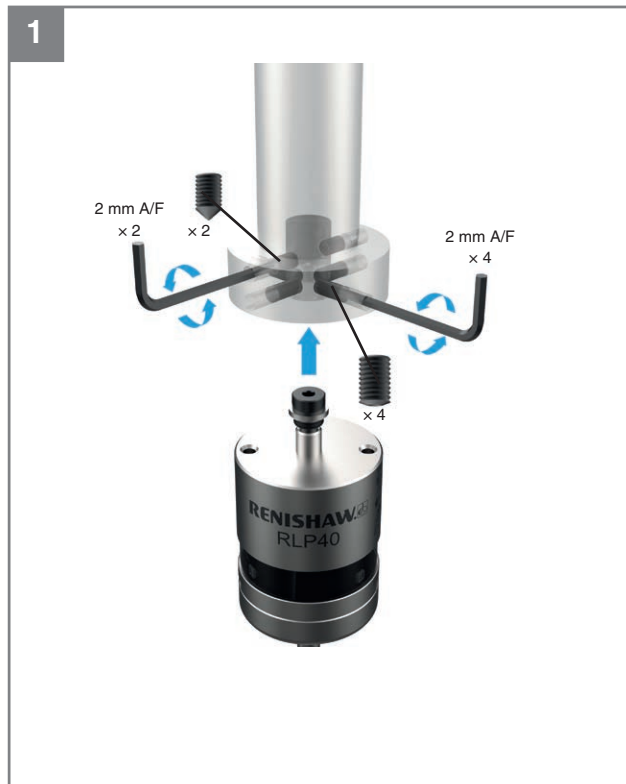
CAUTION: Do not remove the batteries whilst in configuration mode. To exit, leave the stylus untouched for more than 20 seconds.

To partner the probe and/or change the probe settings, go to the next page.



To partner an RLP40 with an RMI-QE see RLP40 – RMI-QE partnership. Once partnering has been successful, the RLP40 will revert to "Partnering mode off".

Mounting the probe on a shank

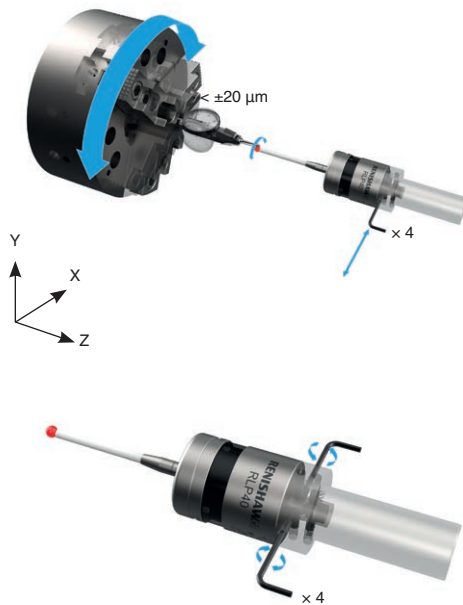


2



Stylus on-centre adjustment

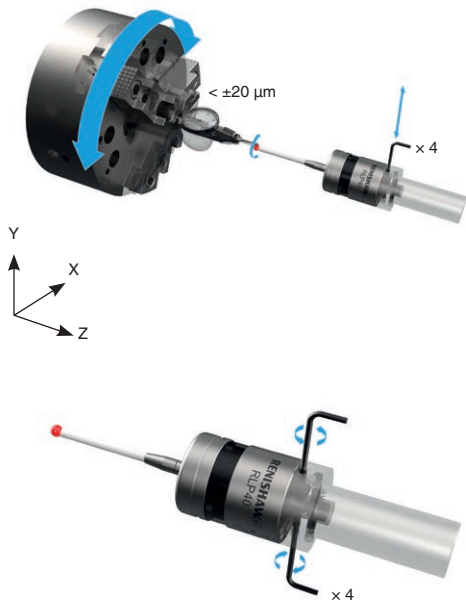
1



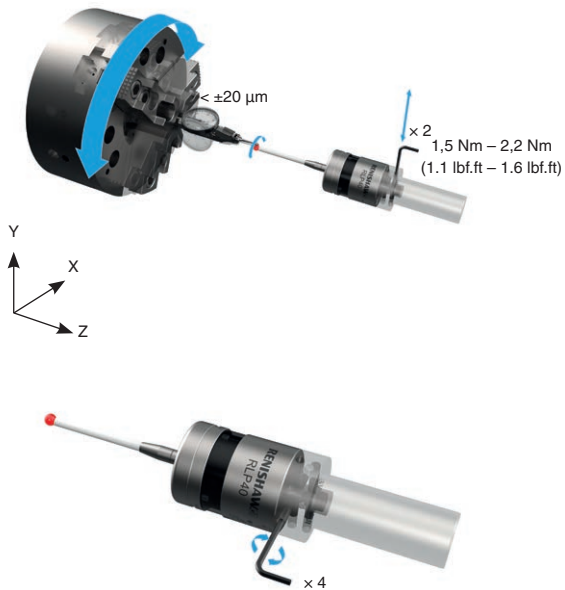
Stylus on-centre adjustment

Adjust in Y axis.

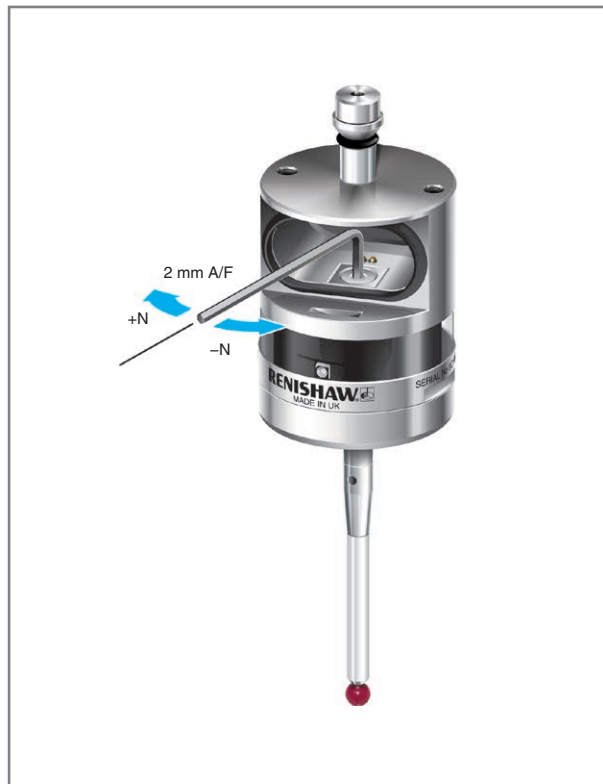
2



3



Stylus trigger force and adjustment



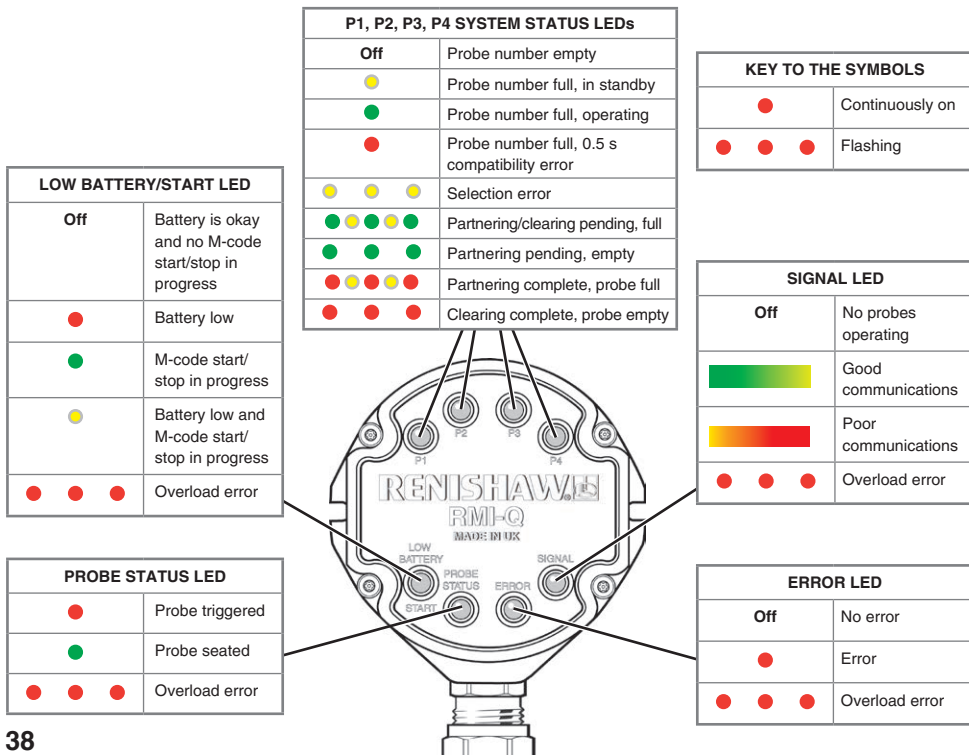
This page is intentionally left blank.

Cleaning

Use a clean cloth.



RMI-Q visual diagnostics

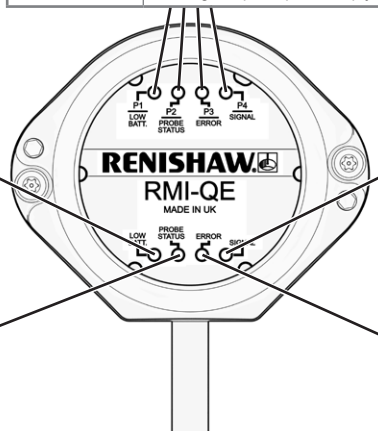


RMI-QE visual diagnostics

LOW BATTERY/START LED	
Off	Battery is okay and no M-code start/stop in progress
●	Battery low
●	M-code start/stop in progress
●	Battery low and M-code start/stop in progress
● ● ●	Overload error

PROBE STATUS LED	
●	Probe triggered
●	Probe seated
● ● ●	Overload error

P1, P2, P3, P4 SYSTEM STATUS LEDs	
Off	Probe number empty
●	Probe number full, in standby
●	Probe number full, operating
●	Probe number full, 0.5 s compatibility error
● ● ●	Selection error
● ● ● ● ● ●	Partnering/clearing pending, full
● ● ● ● ● ●	Partnering pending, empty
● ● ● ● ● ●	Partnering complete, probe full
● ● ● ● ● ●	Clearing complete, probe empty



KEY TO THE SYMBOLS	
●	Continuously on
● ● ●	Flashing

SIGNAL LED	
Off	No probes operating
●	Good communications
●	Poor communications
● ● ●	Overload error

ERROR LED	
Off	No error
●	Error
● ● ●	Overload error

This page is intentionally left blank.

© 2020 Renishaw plc. All rights reserved.

This document may not be copied or reproduced in whole or in part, or transferred to any other media or language, by any means, without the prior written permission of Renishaw plc.

The publication of material within this document does not imply freedom from the patent rights of Renishaw plc.

Disclaimer

RENISHAW HAS MADE CONSIDERABLE EFFORTS TO ENSURE THE CONTENT OF THIS DOCUMENT IS CORRECT AT THE DATE OF PUBLICATION BUT MAKES NO WARRANTIES OR REPRESENTATIONS REGARDING THE CONTENT. RENISHAW EXCLUDES LIABILITY, HOWSOEVER ARISING, FOR ANY INACCURACIES IN THIS DOCUMENT.

Trade marks

RENISHAW and the probe symbol used in the RENISHAW logo are registered trade marks of Renishaw plc in the United Kingdom and other countries. **apply innovation** and names and designations of other Renishaw products and technologies are trade marks of Renishaw plc or its subsidiaries.

Google Play and the Google Play logo are trademarks of Google LLC.

Apple and the Apple logo are trademarks of Apple Inc., registered in the U.S. and other countries. App Store is a service mark of Apple Inc., registered in the U.S. and other countries.

All other brand names and product names used in this document are trade names, trade marks, or registered trade marks of their respective owners.

Warranty

Equipment requiring attention under warranty must be returned to your equipment supplier.

Unless otherwise specifically agreed in writing between you and Renishaw, if you purchased the equipment from a Renishaw company, the warranty provisions contained in Renishaw's CONDITIONS OF SALE apply. You should consult these conditions in order to find out the details of your warranty but, in summary, the main exclusions from the warranty are if the equipment has been:

- neglected, mishandled or inappropriately used; or
- modified or altered in any way except with the prior written agreement of Renishaw.

If you purchased the equipment from any other supplier, you should contact them to find out what repairs are covered by their warranty.

China RoHS

For more information on China RoHS visit:
www.renishaw.com/mtpchinarohs

EU declaration of conformity



Renishaw plc declares under its sole responsibility that the RLP40 is in conformity with all relevant Union legislation.

The full text of the EU declaration of conformity is available at: www.renishaw.com/mtpdoc

WEEE directive



The use of this symbol on Renishaw products and/or accompanying documentation indicates that the product should not be mixed with general household waste upon disposal. It is the responsibility of the end user to dispose of this product at a designated collection point for waste electrical and electronic equipment (WEEE) to enable reuse or recycling. Correct disposal of this product will help to save valuable resources and prevent potential negative effects on the environment. For more information, please contact your local waste disposal service or Renishaw distributor.

REACH regulation

Information required by Article 33(1) of Regulation (EC) No. 1907/2006 ("REACH") relating to products containing substances of very high concern (SVHCs) is available at:

www.renishaw.com/REACH

FCC Information to user (USA only)

47 CFR Section 15.19

This device complies with part 15 of the FCC Rules. Operation is subject to the following two conditions:

1. This device may not cause harmful interference, and
2. This device must accept any interference received, including interference that may cause undesired operation.

47 CFR Section 15.21

The user is cautioned that any changes or modifications not expressly approved by Renishaw plc or authorised representative could void the user's authority to operate the equipment.

Patents

Features of RLP40 and features of similar products are the subject of one or more of the following patents and/or patent applications:

CN 100466003	IN 215787	US 6776344
CN 101287958	WO 2004/057552	US 6941671
CN 101482402	WO 2007/028964	US 7145468
EP 1185838	JP 3967592	US 7285935
EP 1373995	JP 4237051	US 7441707
EP 1425550	JP 4575781	US 7486195
EP 1457786	JP 4754427	US 7665219
EP 1477767	JP 4773677	US 7812736
EP 1477768	JP 4851488	US 7821420
EP 1576560	JP 5238749	US 9140547
EP 1701234	JP 5390719	
EP 1734426	KR 1001244	
EP 1804020	TW I333052	
EP 1931936		
EP 1988439		
EP 2216761		

雷尼绍（上海）贸易有限公司

中国上海市静安区江场三路288号

18幢楼1楼

200436

T +86 21 6180 6416

F +86 21 6180 6418

E shanghai@renishaw.com

www.renishaw.com.cn

安全须知

用户须知

RLP40配有两节非充电型 $\frac{1}{2}$ AA锂亚硫酰氯电池（符合BS EN 62133:2013 [IEC 62133:2012] 标准）。电池电量耗尽之后，请勿尝试给电池充电。



在电池、包装或随附文档上使用本符号，表示废旧电池不可与普通生活垃圾混合。请在指定的收集点处置废旧电池。这样可以防止由于废品处理不当对环境 and 人类健康造成的潜在不良影响。请联系当地相关部门或废品处置服务商，了解电池的单独回收与处置规定。在处置前，必须使所有的锂电池和充电电池完全放电或采取防短路措施。

请确保备用电池型号正确，并按照本手册中的说明和产品上所示进行安装。（雷尼绍文档编号H-6588-8512），了解更多信息。有关具体的电池作业、安全和处置指导原则，请参阅电池制造商的资料。

- 确保所有安装的电池正负极方向正确。
- 请勿将电池存放在阳光直射或淋雨的地方。
- 请勿将电池加热或弃入火中处置。
- 避免将电池强制放电。
- 请勿使电池短路或强制放电。
- 请勿对电池进行拆解、穿透、施加过度压力，或使其变形。
- 请勿吞咽电池。
- 请将电池放在儿童无法接触的地方。
- 请将电池放在儿童无法接触的地方。
- 不要将新旧电池或不同的电池类型混用，因为这会缩短电池寿命并损坏电池。
- 在运输电池或本产品时，请确保符合国际和国家电池运输条例。

在运输电池或本产品时，请确保符合国际和国家电池运输条例。

注： 锂电池被定义为危险品，空运有严格的控制。为了减少运输延期的风险，无论出于何种原因，若您需要将产品返回RLP40雷尼绍，请勿包含任何电池。

在所有涉及使用机床的应用中，建议采取保护眼睛的措施。

RLP40有一个玻璃窗口。如果玻璃破碎，请务必小心，以免受伤。

机床供应商/安装商须知

机床制造商有责任确保用户了解操作中存在的任何危险，包括雷尼绍产品说明书中所述的危险，并确保提供充分的防护装置和安全联动装置。

在某些情况下，测头信号可能错误指示测头已复位状态。切勿单凭测头信号来停止机床运动。

设备安装商须知

雷尼绍所有设备的设计均符合相关的EU和FCC监管要求，为使产品按照这些规定工作，设备安装商有责任保证遵守以下指导原则：

- 任何接口的安装位置**必须**远离任何潜在的电噪声源，如变压器、伺服系统驱动装置等；
- 所有0伏/接地连接都应当连接到机床接地终端上（“接地终端”是所有设备地线和屏蔽电缆的单点回路）。这一点非常重要，不遵守此规定会造成接地之间存在电位差；
- 所有屏蔽装置都必须按使用说明中所述进行连接；
- 电缆线路不得与电机电源电缆等高电流源并行或靠近高速数据传输线；
- 电缆长度应始终保持最短。

设备操作

如果设备使用方式与制造商要求的方式不符，设备提供的保护功能可能会减弱。

Radio approvals

Canada: RLP40QE IC ID: 3928A-RMP40QE
RLP40HQE IC ID: 3928A-RMP40QE

This device complies with Industry Canada licence-exempt RSS standard(s). Operation is subject to the following two conditions: (1) this device may not cause interference, and (2) this device must accept any interference, including interference that may cause undesired operation of the device.

Le présent appareil est conforme aux CNR d'Industrie Canada applicables aux appareils radio exempts de licence. L'exploitation est autorisée aux deux conditions suivantes : (1) l'appareil ne doit pas produire de brouillage, et (2) l'utilisateur de l'appareil doit accepter tout brouillage radioélectrique subi, même si le brouillage est susceptible d'en compromettre le fonctionnement.

Japan: RLP40QE



205-200013

RLP40HQE



205-200013

This device is granted pursuant to the Japanese Radio Law and the Japanese Telecommunications Business Law. This device should not be modified (otherwise the granted designation number will become invalid).

USA: RLP40QE FCC ID: KQGRMP40QE
RLP40HQE FCC ID: KQGRMP40QE

Renishaw plc
New Mills, Wotton-under-Edge
Gloucestershire, GL12 8JR
United Kingdom

T +44 (0)1453 524524
F +44 (0)1453 524901
E uk@renishaw.com
www.renishaw.com

RENISHAW 
apply innovation™

For worldwide contact details, visit
www.renishaw.com/contact



H - 6588 - 8500 - 06