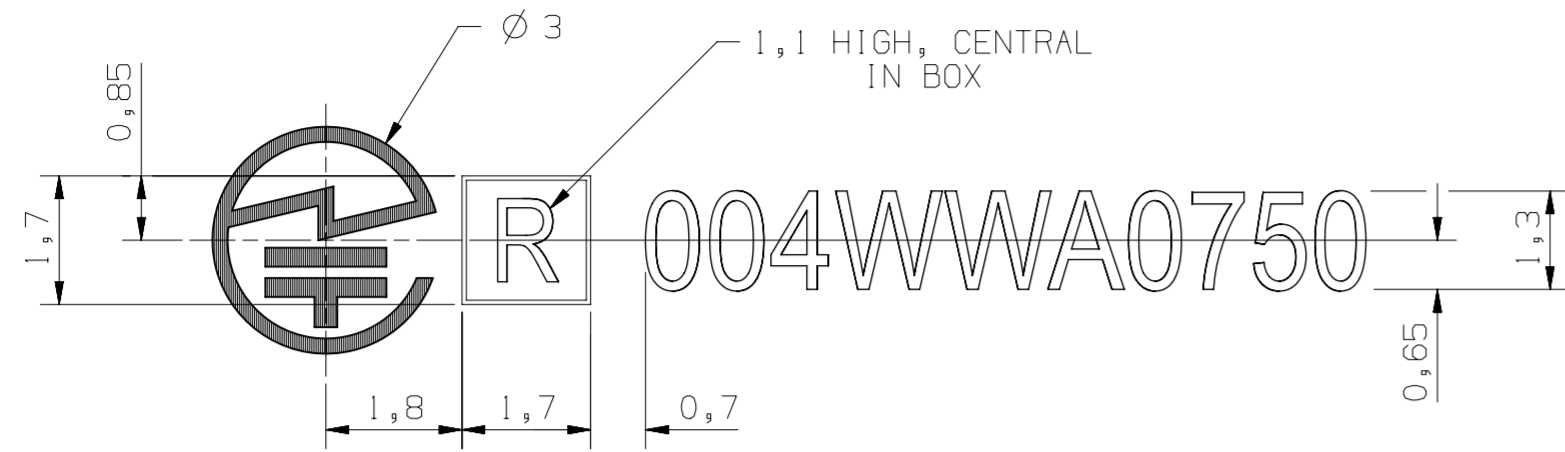


APPROVAL NUMBERS ARE EXAMPLES ONLY

- NOTES: -
1. ALL TEXT AND SYMBOLS TO BE FILLED AND CENTRALLY DISPOSED ABOUT PART CENTRELINE.
 2. "RENISHAW", "RMP400" & "RENGAGE" TEXT AS PER LASER MARKING FILE \\renishaw.com\Global\GB\PLC\GMSD\Data\Machine Shop\LASER\HPGL\6570\M-6570-0200-01-A_DRG-LASER1.plt
 3. CE MARK AND WEEE SYMBOL AS PER LASER MARKING FILE \\renishaw.com\Global\GB\PLC\GMSD\Data\Machine Shop\LASER\HPGL\6570\M-6570-0200-01-A_DRG-LASER2.plt
 4. ALL OTHER TEXT ARIAL, SIZE AS SHOWN.

| | | | | | | | |
|--|--------------------------|---|--|---|------------------------|---------------------------------|----------------|
| SEE DESIGN STANDARD DS336 FOR DEFINITION OF Δ SYMBOL. SEE DESIGN STANDARD DS520 FOR DEFINITION OF R & FP No. UNLESS OTHERWISE STATED: ALL DIMENSIONS IN MILLIMETRES & APPLY BEFORE FINISHING TOL. $\pm 0,25$ ANGLES $\pm 2^\circ$ REMOVE SHARP CORNERS - CHAMFER OR R0,5 MAX. INTERNAL RADII 0,5 MAX. SURFACE TEXTURE - $\sqrt{Ra 3,2}$ THREADS TO BS 3643 6g/6H. DRAWING PRACTICE TO BS 8888 | 3rd ANGLE PROJECTION | TITLE RMP400 BATTERY HOUSING - ENGRAVED | | DRAWN BY PNO | DRAWN DATE AUG 17 | SHEET 1 OF 2 | CHECKED MPS |
| | DO NOT SCALE | RENISHAW MATL R CODE ----- | MATERIAL (ENTER R CODE TO VIEW EQUIVALENT MATERIAL SPEC USING SUPPLIER PORTAL SITE @ WWW.RENISHAW.COM) MAKE FROM M-4071-1136-13 | | SCALE U.O.S. 5:2 | | |
| CONFIDENTIAL. THIS DRAWING IS THE PROPERTY OF © RENISHAW plc, AND MAY NOT BE COPIED OR USED FOR ANY PURPOSE, OTHER THAN THAT FOR WHICH IT IS SUPPLIED, WITHOUT THE EXPRESS WRITTEN AUTHORITY OF RENISHAW plc. | | | | Wotton - under - Edge Glos. England. GL12 8JR | | DRAWING No. M-6570-0200-01-A | |



JAPANESE RADIO APPROVAL LOGO
TO BE HORIZONTALLY CENTRAL TO PART CENTERLINE



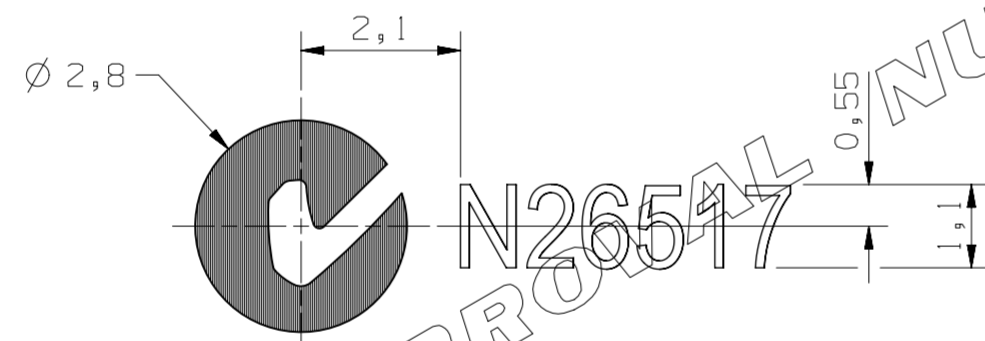
TAIWANESE RADIO APPROVAL LOGO
TO BE HORIZONTALLY CENTRAL TO PART CENTRELINE



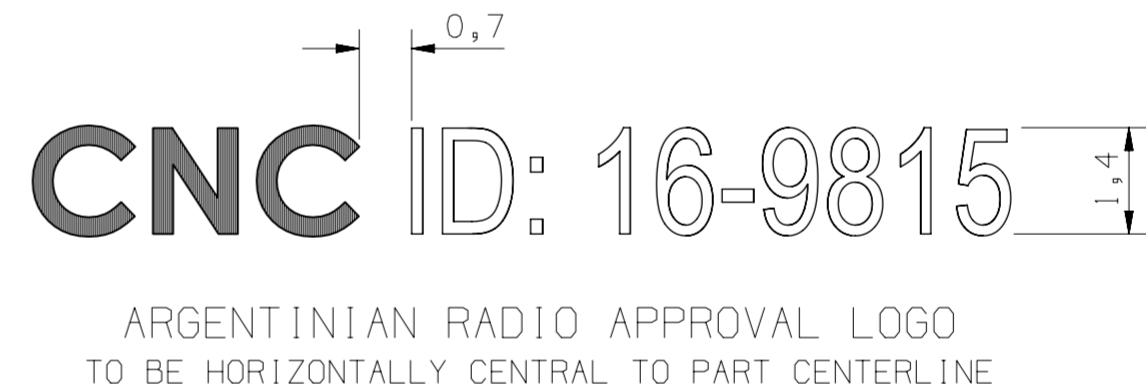
SOUTH KOREAN RADIO APPROVAL LOGO
TO BE HORIZONTALLY CENTRAL TO PART CENTERLINE



BRAZILIAN RADIO APPROVAL LOGO
TO BE HORIZONTALLY CENTRAL TO PART CENTERLINE



AUSTRALIAN RADIO APPROVAL LOGO
TO BE HORIZONTALLY CENTRAL TO PART CENTERLINE

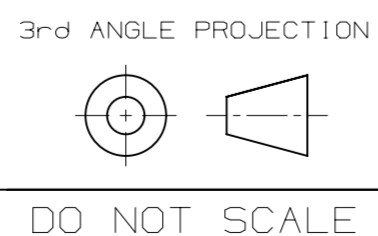


ARGENTINIAN RADIO APPROVAL LOGO
TO BE HORIZONTALLY CENTRAL TO PART CENTERLINE

NOTES:-

5. JAPANESE RADIO APPROVAL LOGO TO D-4113-0223 AND TO FILE \\renishaw.com\Global\GB\PLC\GMSD\Data\Machine Shop\LASER\HPGL\6570\M-6570-0200-01-A_DRG-LASER3.plt
6. TAIWANESE RADIO APPROVAL LOGO TO D-4113-0228 AND TO FILE \\renishaw.com\Global\GB\PLC\GMSD\Data\Machine Shop\LASER\HPGL\6570\M-6570-0200-01-A_DRG-LASER4.plt
7. SOUTH KOREAN RADIO APPROVAL LOGO TO D-5480-0204 AND TO FILE \\renishaw.com\Global\GB\PLC\GMSD\Data\Machine Shop\LASER\HPGL\6570\M-6570-0200-01-A_DRG-LASER5.plt
8. BRAZILIAN RADIO APPROVAL LOGO TO D-4113-0224 AND TO FILE \\renishaw.com\Global\GB\PLC\GMSD\Data\Machine Shop\LASER\HPGL\6570\M-6570-0200-01-A_DRG-LASER6.plt
9. AUSTRALIAN RADIO APPROVAL LOGO TO D-5480-0206 AND TO FILE \\renishaw.com\Global\GB\PLC\GMSD\Data\Machine Shop\LASER\HPGL\6570\M-6570-0200-01-A_DRG-LASER7.plt
10. ARGENTINIAN RADIO APPROVAL LOGO BASED ON CENTURY GOTHIC, BOLD AND TO FILE \\renishaw.com\Global\GB\PLC\GMSD\Data\Machine Shop\LASER\HPGL\6570\M-6570-0200-01-A_DRG-LASER8.plt
11. ALL TEXT HELVETICA (SOLID FILL), SIZE AS SHOWN AND CONFORM TO DOC. No. PE357-03.

SEE DESIGN STANDARD DS336 FOR DEFINITION OF SYMBOL.
SEE DESIGN STANDARD DS520 FOR DEFINITION OF R & FP No.
UNLESS OTHERWISE STATED: ALL DIMENSIONS IN MILLIMETRES
& APPLY BEFORE FINISHING TOL. ±0.25 ANGLES ±2°
REMOVE SHARP CORNERS - CHAMFER OR R0.5 MAX.
INTERNAL RADI 0.5 MAX. SURFACE TEXTURE - $\sqrt{Ra\ 3.2}$
THREADS TO BS 3643 6g/6H. DRAWING PRACTICE TO BS 8888



| | | | | | |
|--|---|-----------------|----------------------|-----------------|----------------|
| TITLE RMP400 BATTERY HOUSING - ENGRAVED | | DRAWN BY PNO | DRAWN DATE AUG 17 | SHEET 2 of 2 | CHECKED MPS |
| RENISHAW MATL R CODE ----- | MATERIAL (ENTER R CODE TO VIEW EQUIVALENT MATERIAL SPEC USING SUPPLIER PORTAL SITE @ WWW.RENISHAW.COM) SEE SHEET 1 | | | | |

CONFIDENTIAL. THIS DRAWING IS THE PROPERTY OF © RENISHAW
plc, AND MAY NOT BE COPIED OR USED FOR ANY PURPOSE, OTHER
THAN THAT FOR WHICH IT IS SUPPLIED, WITHOUT THE EXPRESS
WRITTEN AUTHORITY OF RENISHAW plc.

RENISHAW[®]

Wotton - under - Edge
Glos. England.
GL12 8JR

SCALE
U.O.S.
10:1

DRAWING No.
M-6570-0200-01-A