

FCC ID: KQG RMP3-433

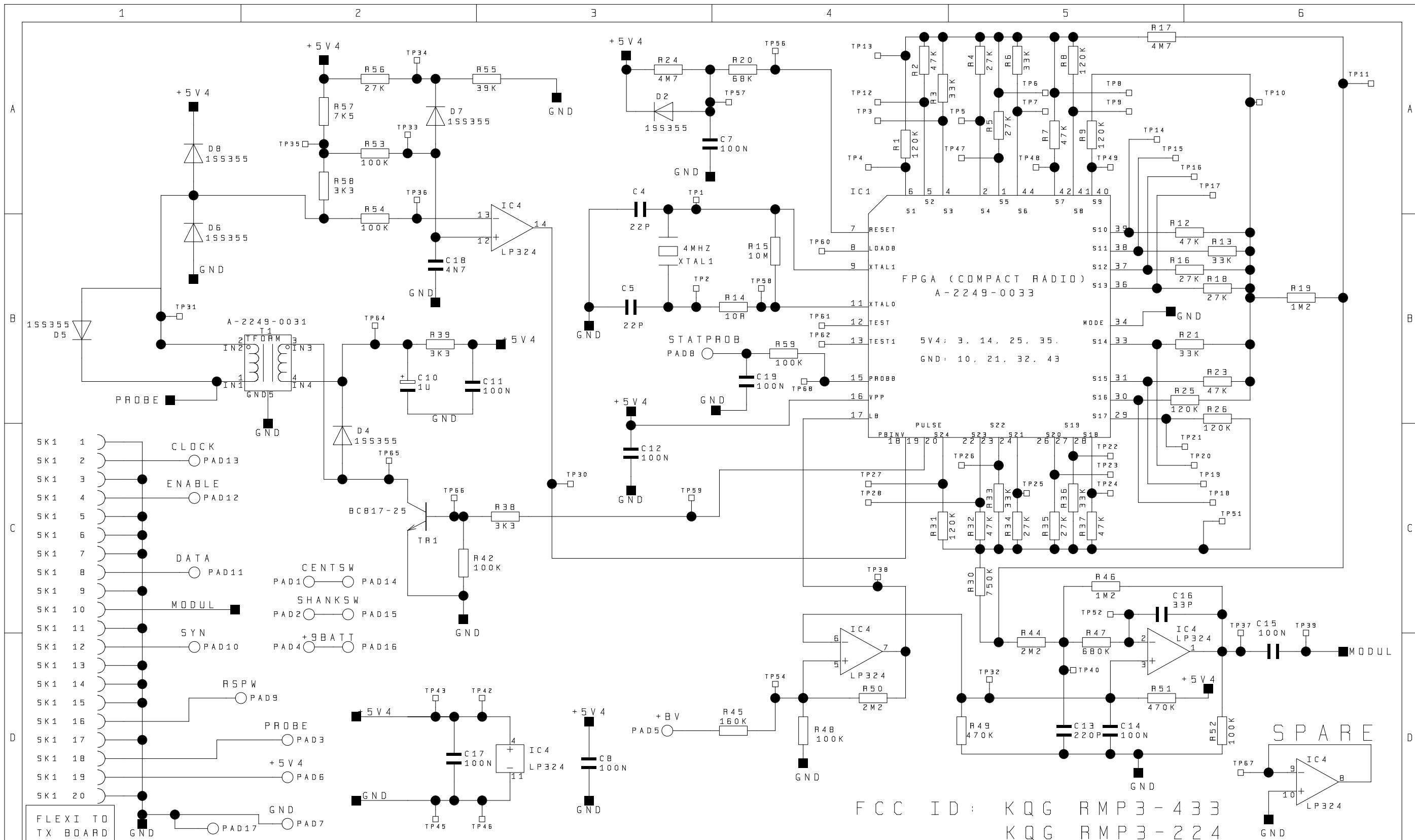
TITLE COMPACT RADIO - 433MHz LP US TX BOARD		FIRST ISSUE No.	DRAWN BY DW	DRAWN DATE 31/07/02
SHEET SIZE	DATE STAMP	SHEET 1 OF 1	CHECKED	ISSUE DATE

THIS DRAWING IS THE PROPERTY OF © RENISHAW plc - METROLOGY DIVISION AND MAY NOT BE COPIED OR USED FOR ANY PURPOSE, OTHER THAN THAT FOR WHICH IT IS SUPPLIED, WITHOUT THE EXPRESS WRITTEN AUTHORITY OF RENISHAW plc.



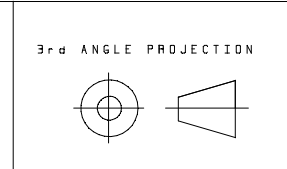
New Mills  
Wotton - under - Edge  
Glos. England.

DRAWING No.  
C-2249-0660-01-A



FCC ID: KQG RMP3-433  
KQG RMP3-224

SEE PROCESS STANDARD P500010 FOR DEFINITION OF SYMBOL. UNLESS OTHERWISE STATED: ALL DIMENSIONS IN MILLIMETRES TOL. ±0.25 ANGLES ±2° REMOVE SHARP CORNERS - CHAMFER OR R0.5 MAX. INTERNAL RADII 0.5 MAX. SURFACE TEXTURE - THREADS TO BS 3643 6g/6H. DRAWING PRACTICE TO BS 308



TITLE  
**COMPACT RADIO - FPGA BOARD**

MATERIAL TYPE CODE  
R / \_\_\_\_\_

MATERIAL  
\_\_\_\_\_

FIRST ISSUE No.	DRAWN BY	DRAWN DATE
	DW	31/07/02
SHEET	CHECKED	ISSUE DATE
1 OF 1		

THIS DRAWING IS THE PROPERTY OF © RENISHAW plc - METROLOGY DIVISION, AND MAY NOT BE COPIED OR USED FOR ANY PURPOSE, OTHER THAN THAT FOR WHICH IT IS SUPPLIED, WITHOUT THE EXPRESS WRITTEN AUTHORITY OF RENISHAW plc.

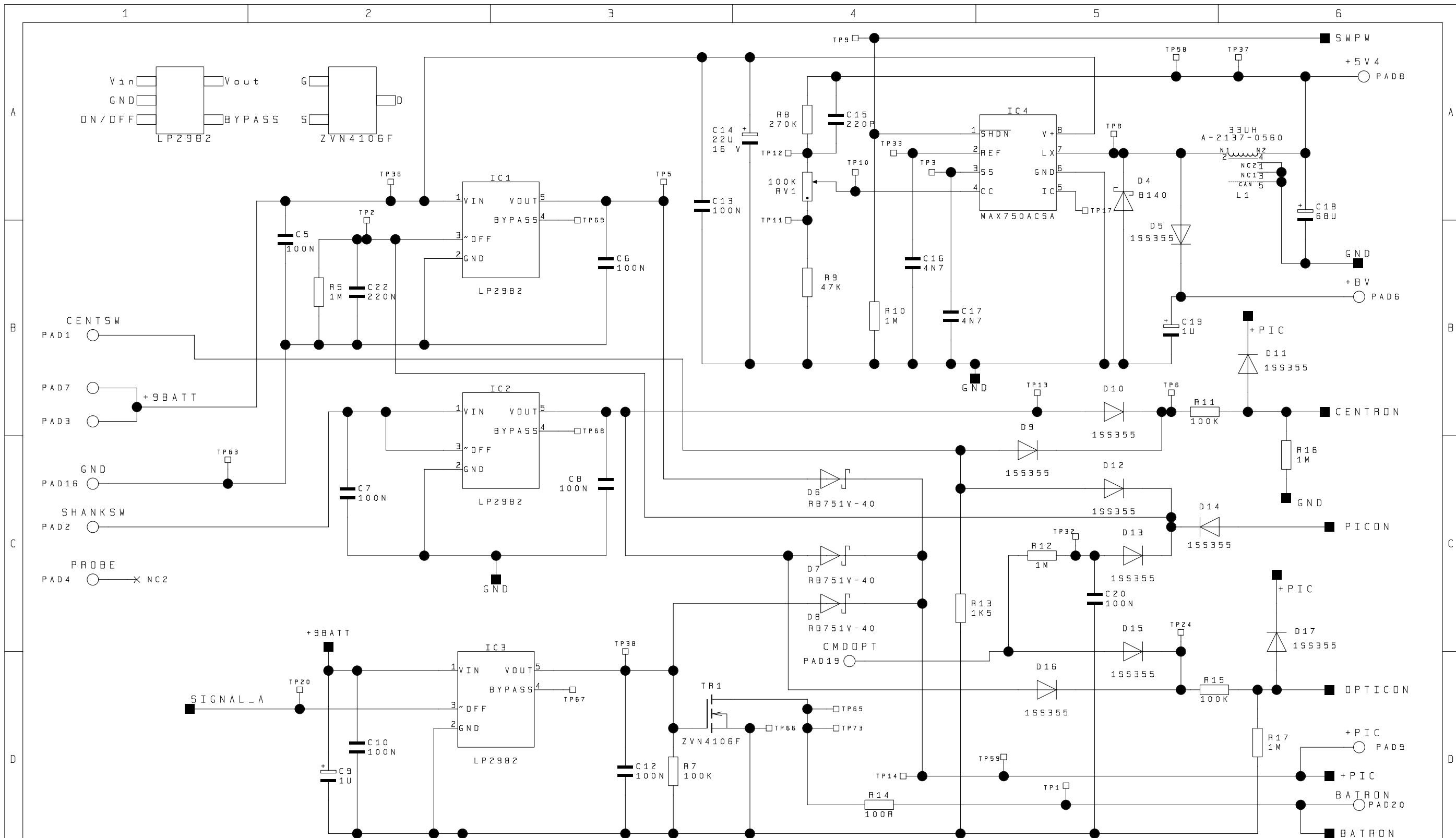


SCALE  
U.O.S.  
NTS

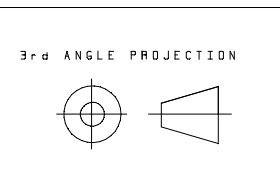
DRAWING No.  
**C-2249-0540-05-B**

7-31-2002\_10:19

054005B



SEE PROCESS STANDARD P500010 FOR DEFINITION OF  $\triangle$  SYMBOL. UNLESS OTHERWISE STATED: ALL DIMENSIONS IN MILLIMETRES TOL.  $\pm 0.25$  ANGLES  $\pm 2^\circ$  REMOVE SHARP CORNERS - CHAMFER OR R0.5 MAX. INTERNAL RADII 0.5 MAX. SURFACE TEXTURE -  $3.2 \sqrt{\quad}$  THREADS TO BS 3643 6g/6H. DRAWING PRACTICE TO BS 308



TITLE COMPACT RADIO - POWER/PIC BOARD		FIRST ISSUE No.	DRAWN BY DW	DRAWN DATE 31/07/02
MATERIAL TYPE CODE R /	MATERIAL	SHEET 1 OF 2	CHECKED	ISSUE DATE

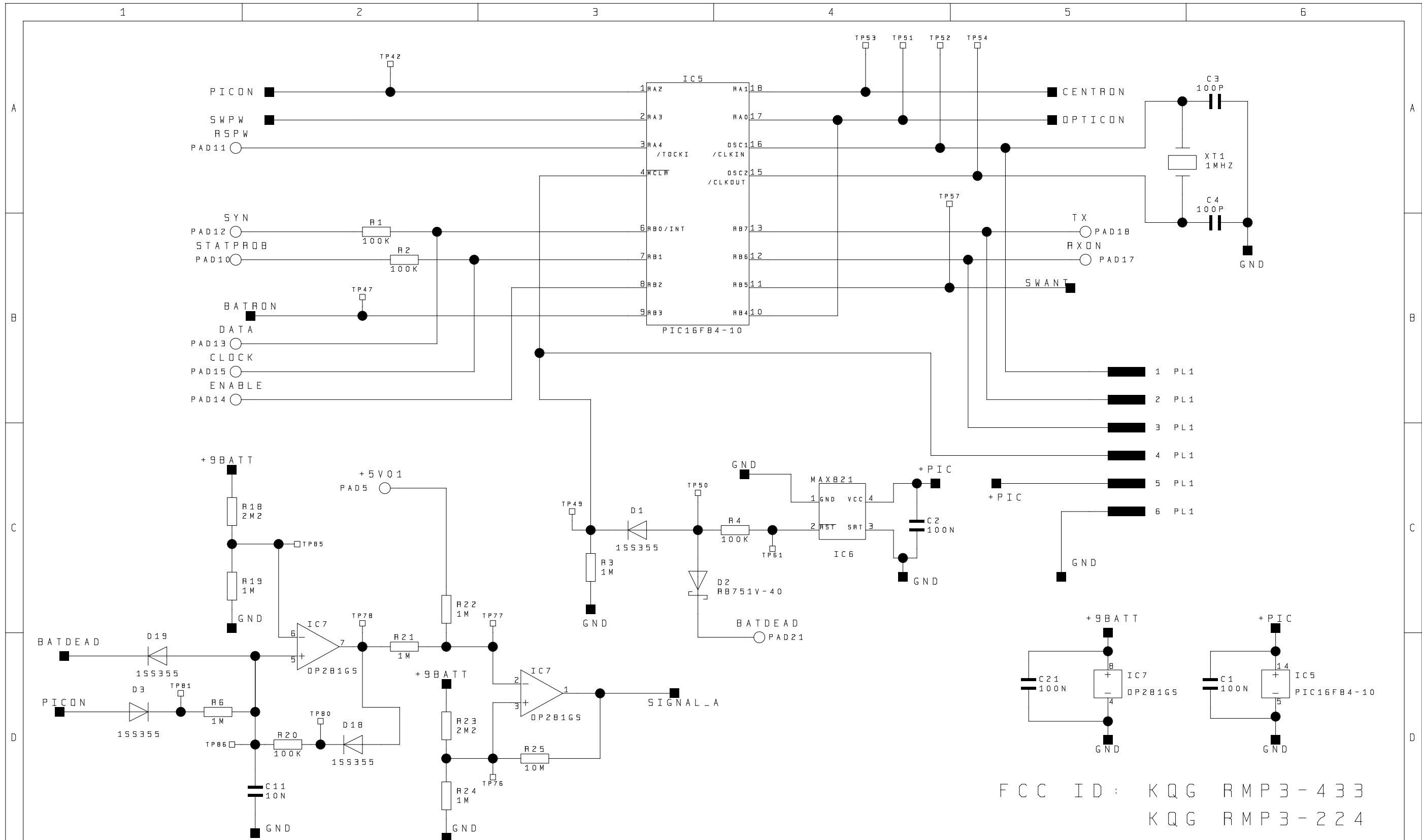
THIS DRAWING IS THE PROPERTY OF © RENISHAW plc - METROLOGY DIVISION, AND MAY NOT BE COPIED OR USED FOR ANY PURPOSE, OTHER THAN THAT FOR WHICH IT IS SUPPLIED, WITHOUT THE EXPRESS WRITTEN AUTHORITY OF RENISHAW plc.



New Mills  
Wotton - under - Edge  
Glos. England.

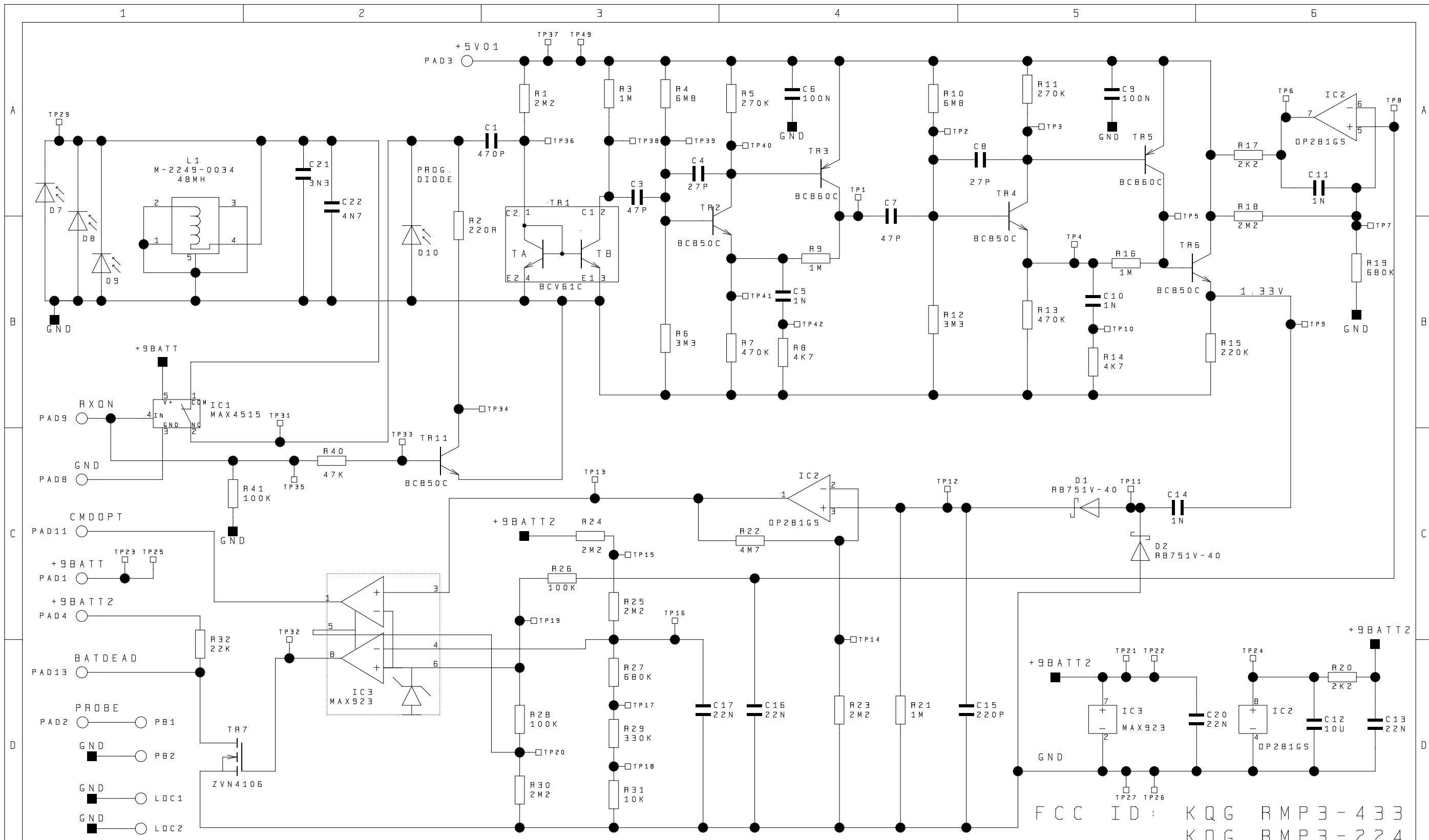
SCALE  
U.O.S.  
NTS

DRAWING No.  
C - 2249 - 0520 - 03 - B



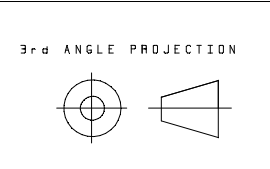
FCC ID : KQG RMP3-433  
KQG RMP3-224

SEE PROCESS STANDARD P500010 FOR DEFINITION OF $\Delta$ SYMBOL. UNLESS OTHERWISE STATED : ALL DIMENSIONS IN MILLIMETRES TOL. $\pm 0.25$ ANGLES $\pm 2^\circ$ REMOVE SHARP CORNERS - CHAMFER OR R0.5 MAX. INTERNAL RADII 0.5 MAX. SURFACE TEXTURE - $3.2 \sqrt{\quad}$ THREADS TO BS 3643 6g/6H. DRAWING PRACTICE TO BS 308	3rd ANGLE PROJECTION 	TITLE <b>COMPACT RADIO - POWER/PIC BOARD</b>		FIRST ISSUE No.	DRAWN BY	DRAWN DATE
		MATERIAL TYPE CODE R / _____		MATERIAL _____		SHEET 2 OF 2
THIS DRAWING IS THE PROPERTY OF © RENISHAW plc - METROLOGY DIVISION, AND MAY NOT BE COPIED OR USED FOR ANY PURPOSE, OTHER THAN THAT FOR WHICH IT IS SUPPLIED, WITHOUT THE EXPRESS WRITTEN AUTHORITY OF RENISHAW plc.					SCALE U.O.S. NTS	DRAWING No. C-2249-0520-03-B



FCC ID : KQG RMP3-433  
KQG RMP3-224

SEE PROCESS STANDARD P500010 FOR DEFINITION OF  $\triangle$  SYMBOL.  
UNLESS OTHERWISE STATED :  
ALL DIMENSIONS IN MILLIMETRES TOL.  $\pm 0.25$  ANGLES  $\pm 2^\circ$   
REMOVE SHARP CORNERS - CHAMFER OR R0.5 MAX.  
INTERNAL RADII 0.5 MAX. SURFACE TEXTURE -  $3.2 \sqrt{\text{ }}$   
THREADS TO BS 3643 6g/6h.  
DRAWING PRACTICE TO BS 308



TITLE COMPACT RADIO - OPTIC BOARD	
MATERIAL TYPE CODE R / _____	MATERIAL _____

FIRST ISSUE No.	DRAWN BY DW	DRAWN DATE 31/07/02
SHEET 1 OF 2	CHECKED	ISSUE DATE

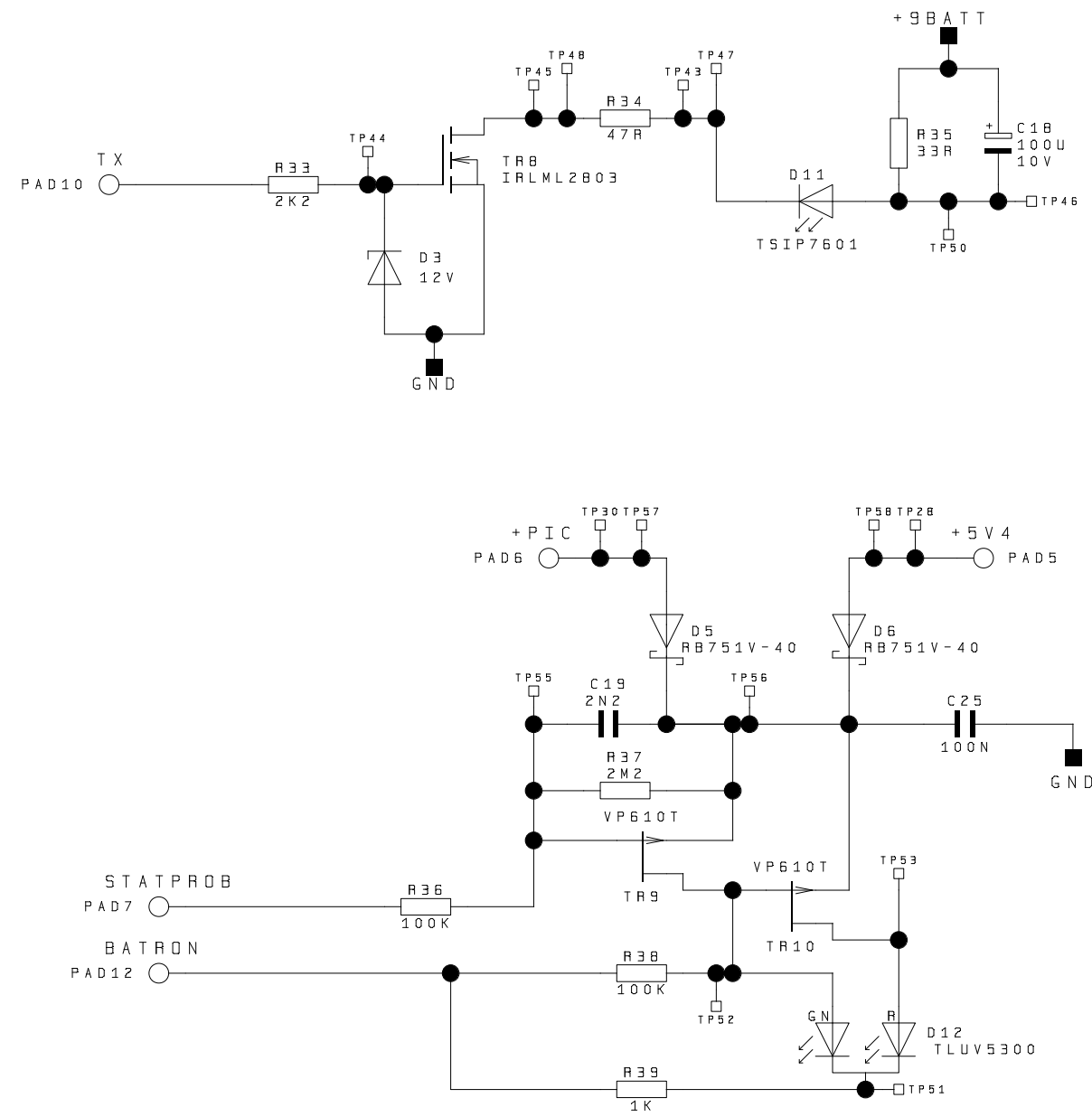
THIS DRAWING IS THE PROPERTY OF © RENISHAW plc - METROLOGY DIVISION, AND MAY NOT BE COPIED OR USED FOR ANY PURPOSE, OTHER THAN THAT FOR WHICH IT IS SUPPLIED, WITHOUT THE EXPRESS WRITTEN AUTHORITY OF RENISHAW plc.



New Mills  
Wotton - under - Edge  
Glos. England.

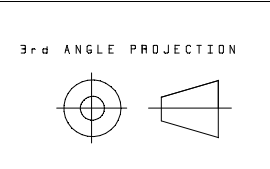
SCALE  
U.O.S.  
NTS

DRAWING No.  
C-2249-0500-03-B



FCC ID: KQG RMP3-433  
KQG RMP3-224

SEE PROCESS STANDARD P500010 FOR DEFINITION OF SYMBOL.  
UNLESS OTHERWISE STATED:  
ALL DIMENSIONS IN MILLIMETRES TOL. ±0.25 ANGLES ±2°  
REMOVE SHARP CORNERS - CHAMFER OR R0.5 MAX.  
INTERNAL RADII 0.5 MAX. SURFACE TEXTURE -   
THREADS TO BS 3643 6g/6h.  
DRAWING PRACTICE TO BS 308



TITLE COMPACT RADIO - OPTIC BOARD		FIRST ISSUE No.	DRAWN BY DW	DRAWN DATE 31/07/02
MATERIAL TYPE CODE R / _____	MATERIAL _____	SHEET 2 OF 2	CHECKED	ISSUE DATE

THIS DRAWING IS THE PROPERTY OF © RENISHAW plc - METROLOGY DIVISION, AND MAY NOT BE COPIED OR USED FOR ANY PURPOSE, OTHER THAN THAT FOR WHICH IT IS SUPPLIED, WITHOUT THE EXPRESS WRITTEN AUTHORITY OF RENISHAW plc.



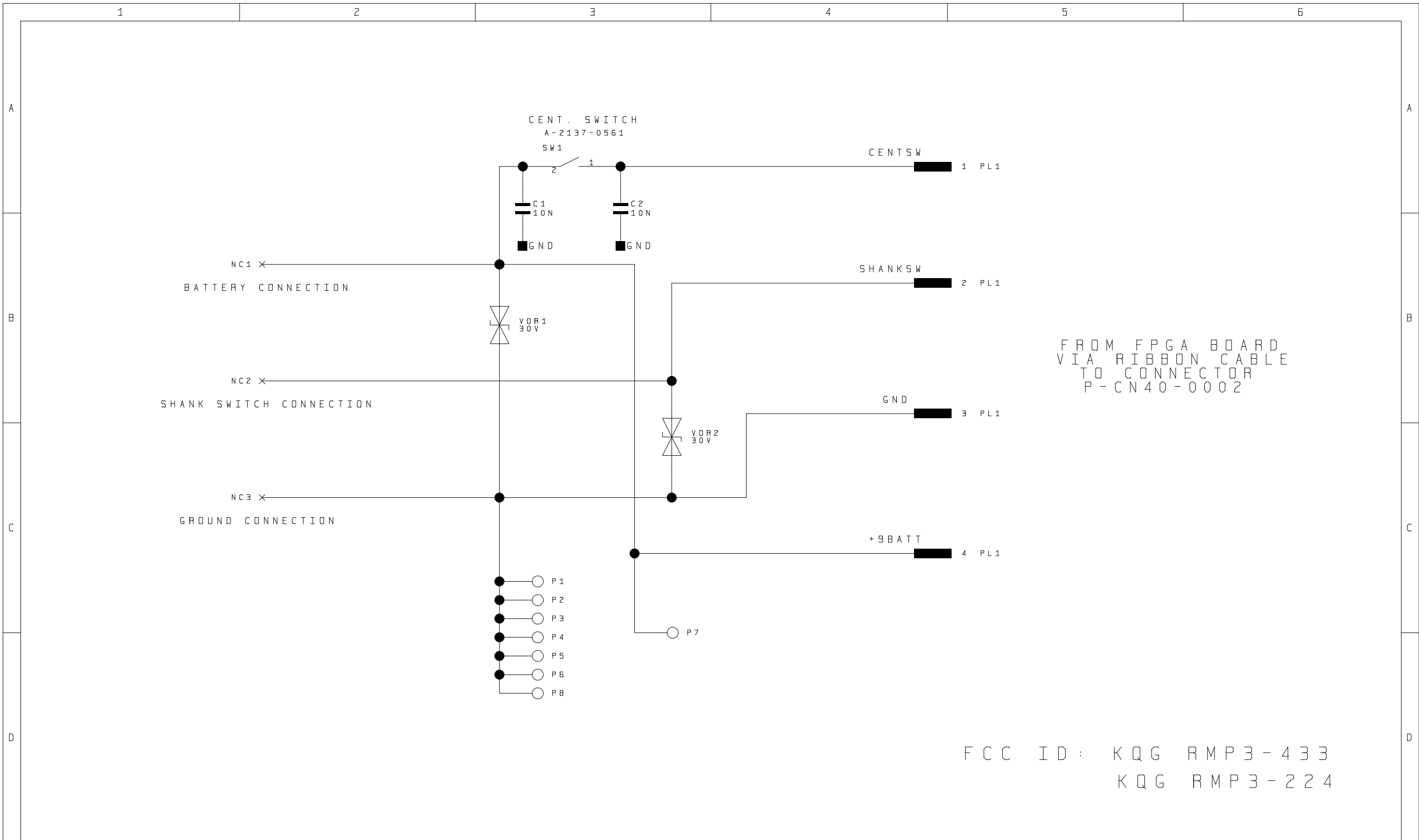
New Mills  
Wotton - under - Edge  
Glos. England.

SCALE  
U.O.S.  
NTS

DRAWING No.  
C-2249-0500-03-B

7-31-2002\_9:32

050003B



FCC ID: KQG RMP3-433  
KQG RMP3-224

SEE PROCESS STANDARD P500010 FOR DEFINITION OF  SYMBOL. UNLESS OTHERWISE STATED: ALL DIMENSIONS IN MILLIMETRES TOL. ±0.25 ANGLES ±2° REMOVE SHARP CORNERS - CHAMFER OR R0.5 MAX. INTERNAL RADII 0.5 MAX. SURFACE TEXTURE - THREADS TO BS 3643 6g/6h. DRAWING PRACTICE TO BS 308	3rd ANGLE PROJECTION 	TITLE <b>CENTRIFUGAL SWITCH BOARD</b>	FIRST ISSUE No. DW	DRAWN BY DW	DRAWN DATE 31/07/02	
		MATERIAL TYPE CODE R / _____	MATERIAL _____	SHEET 1 OF 1	CHECKED  ISSUE DATE	
THIS DRAWING IS THE PROPERTY OF © RENISHAW plc - METROLOGY DIVISION, AND MAY NOT BE COPIED OR USED FOR ANY PURPOSE, OTHER THAN THAT FOR WHICH IT IS SUPPLIED, WITHOUT THE EXPRESS WRITTEN AUTHORITY OF RENISHAW plc.			New Mills Wotton - under - Edge Glos. England.	SCALE U.O.S. NTS	DRAWING No. <b>C-2249-0580-02-B</b>	7-31-2002_10:28 058002B