

FCC ID: KQG RMP3-224

TITLE		DRAWN BY		DRAWN DATE	
COMPACT RADIO - 224 MHz		GJA		12/01/00	
SHEET SIZE		DATE STAMP		TX BOARD	
1 OF 1		SHEET		CHECKED	
		1		ISSUE DATE	

RENISHAW®  
 Max. Rating:  
 Station - 500W - 600W  
 Class - England.

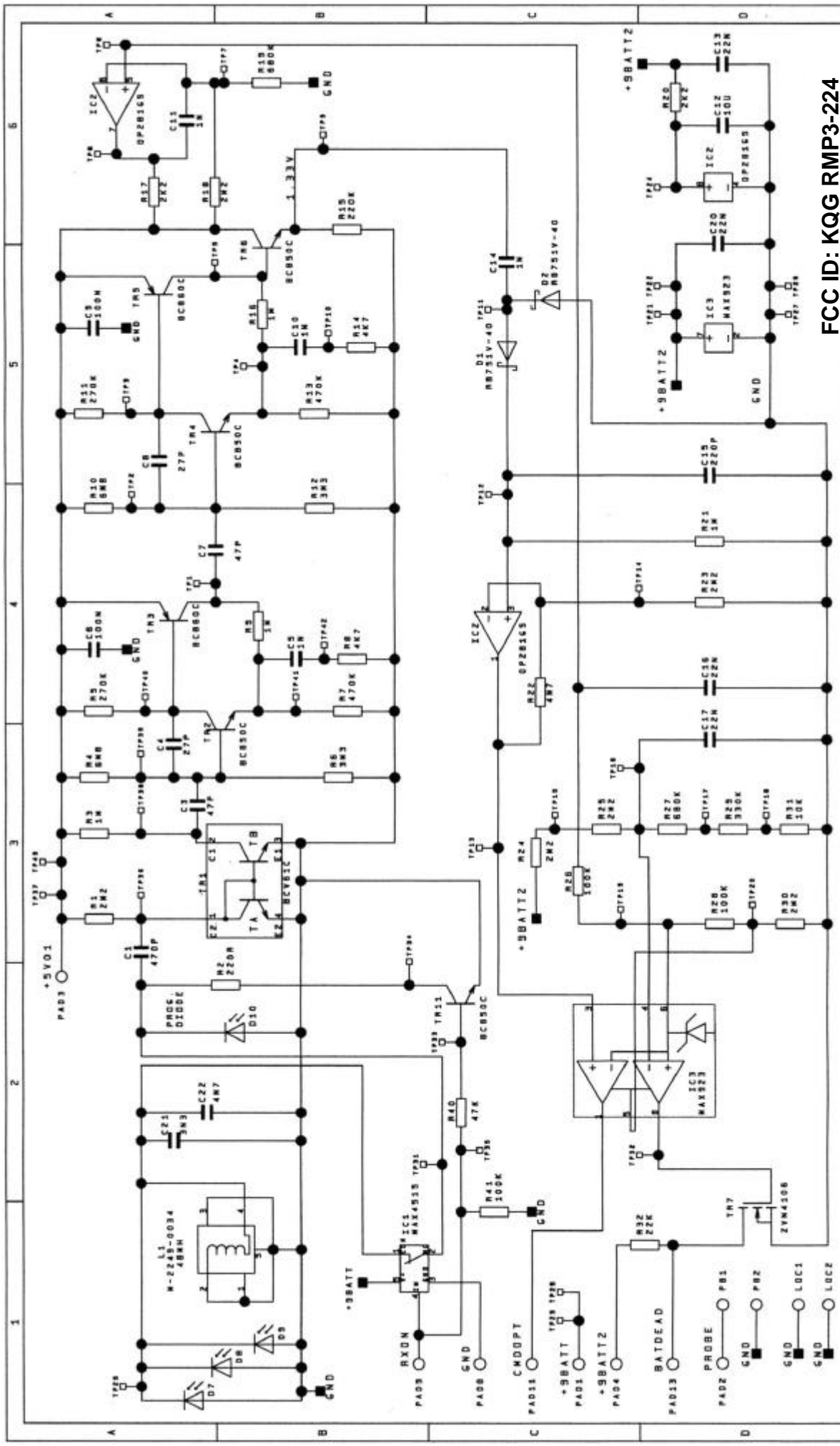
THIS DRAWING IS THE PROPERTY OF RENISHAW PLC - METROLOGY DIVISION AND MAY NOT BE COPIED OR USED FOR ANY PURPOSE OTHER THAN THAT FOR WHICH IT IS SUPPLIED, WITHOUT THE EXPRESS WRITTEN AUTHORITY OF RENISHAW PLC.

- REL 1 -33K
- REL 2 -33K
- REL 3 -33K
- REL 4 -33K
- REL 5 -33K
- REL 6 -33K
- REL 7 -33K
- REL 8 -33K
- REL 9 -33K
- REL 10 -33K
- REL 11 -33K
- REL 12 -33K
- REL 13 -33K
- REL 14 -33K
- REL 15 -33K
- REL 16 -33K
- REL 17 -33K
- REL 18 -33K
- REL 19 -33K
- REL 20 -33K



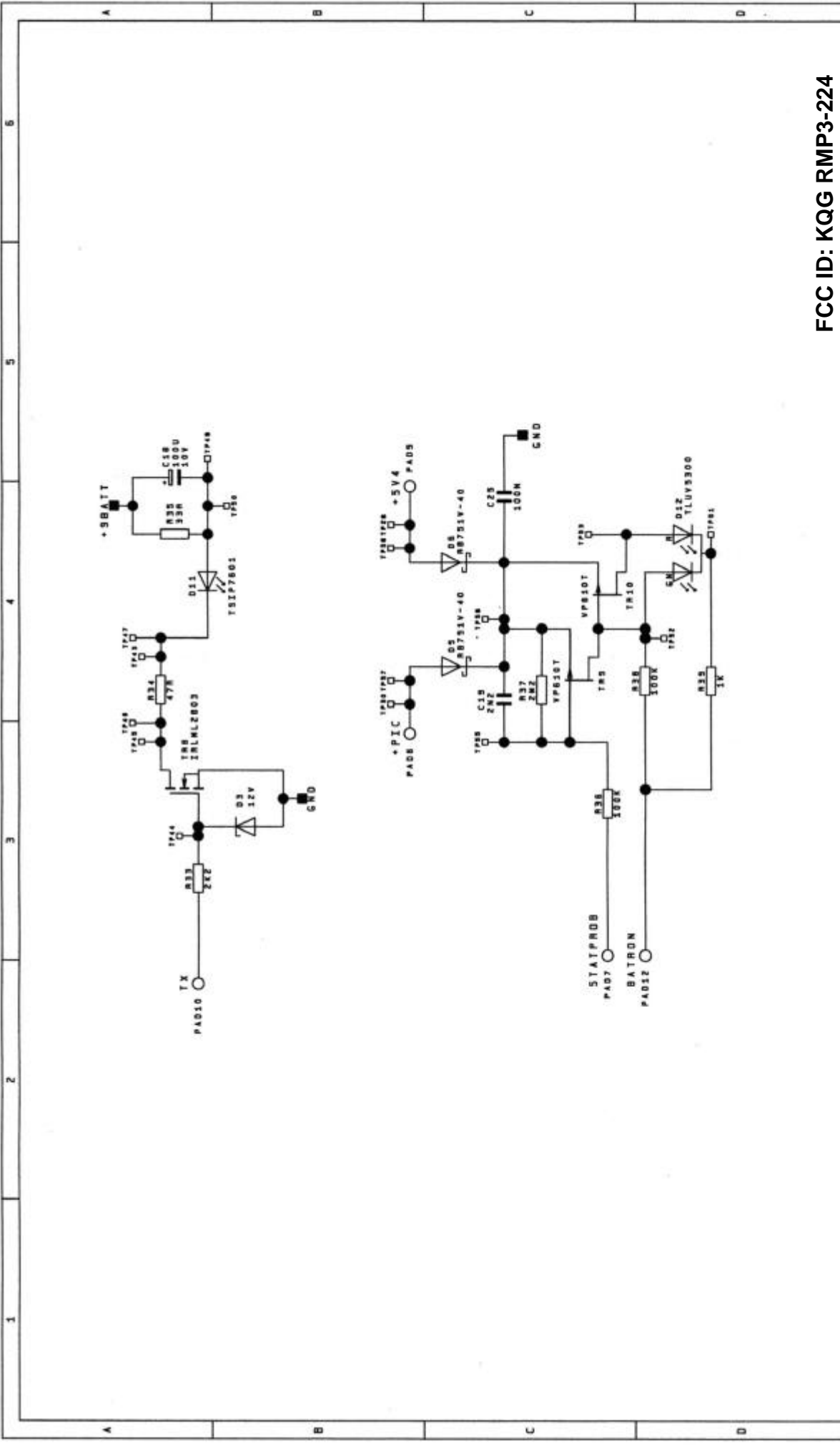






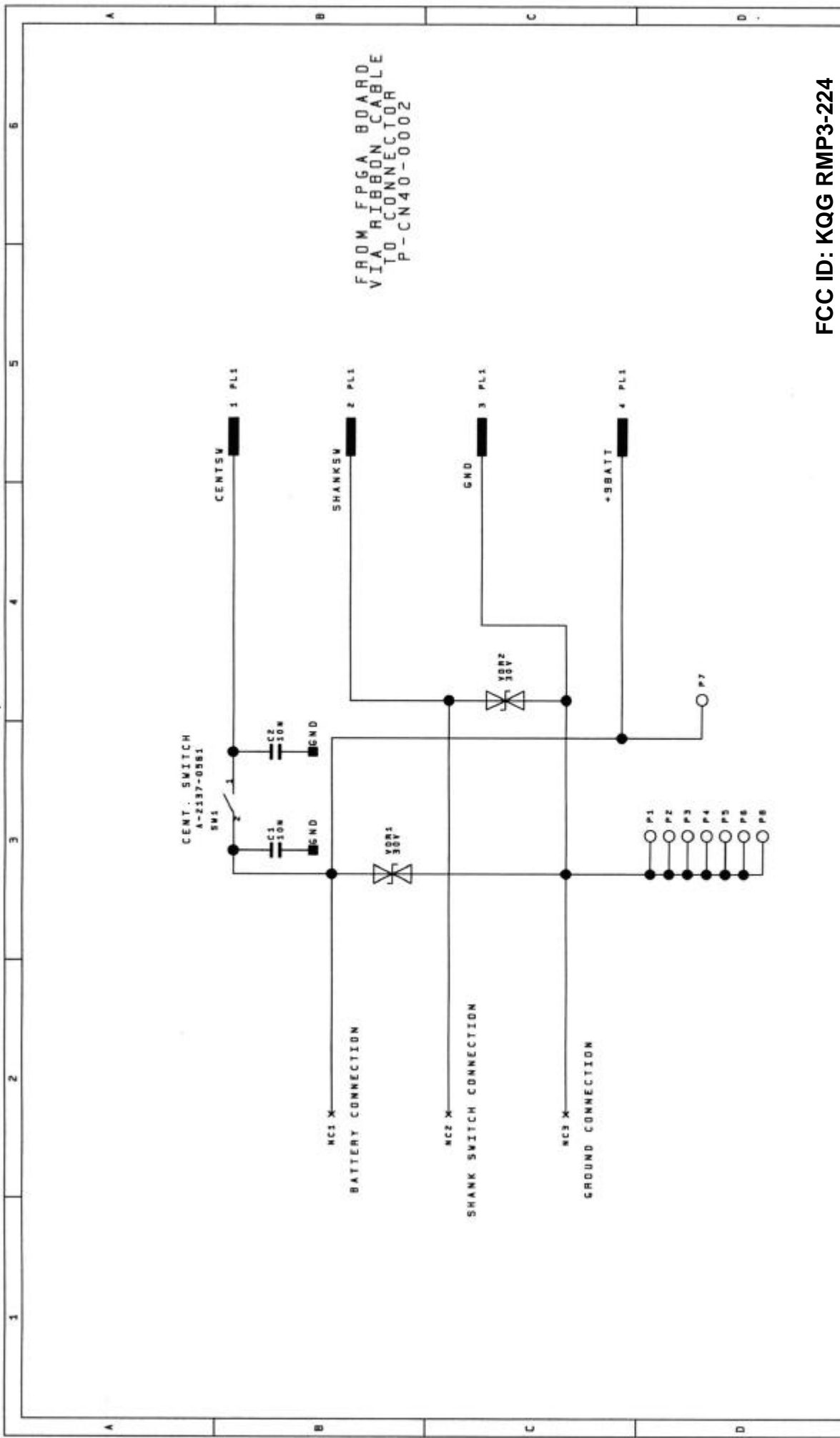
FCC ID: KQG RMP3-224

SEE PREVIOUS STANDARD PROCEEDING FOR DEFINITION OF SYMBOLS.		3-DIGIT PROJECTION		FILE NO.	
UNLESS OTHERWISE SPECIFIED, ALL DIMENSIONS IN MILLIMETERS (INCHES) ANGLES IN DEGREES (DEGREES).		MATERIAL		DRAWN BY	
NEEDLE SHARP CORNERS - CHAMFER OR R0.25 MAX. INTERNAL RADIUS 0.25 MAX. SURFACE FINISH - 125		R /		CHECKER	
THREADS TO BE 360° REVERSE.		MATERIAL TYPE CODE		1 OF 2	
DRAWING PRACTICE TO BE 360°		R /		DATE	
THIS DRAWING IS THE PROPERTY OF RENISHAW P3C - METROLOGY DIVISION. AND MAY NOT BE COPIED OR USED FOR ANY PURPOSE OTHER THAN THAT FOR WHICH IT IS SUPPLIED. WITHOUT THE EXPRESS WRITTEN AUTHORITY OF RENISHAW P3C.		REVISION		SCALE	
		NTS		1:1	
		C-2249-0500-03-A		PARTS LIST	
		4-12-2002-10-44		050003A	



SEE PRECEDING DRAWINGS FOR DEFINITIONS OF SYMBOLS. UNLESS OTHERWISE SPECIFIED - ALL DIMENSIONS IN MILLIMETERS TOL. $\pm 0.25$ UNLESS $\pm 0.1$ WHERE SHOWN OTHERWISE - CHECKED ON REVISION SHEET. DIMENSIONS IN INCHES - SURFACE TEXTURE - UNLESS OTHERWISE SPECIFIED - DRAWING PRACTICE TO BE USED		 3/4" ANGLE PROJECTION		TITLE <b>COMPACT RADIO - OPTIC BOARD</b> MATERIAL TYPE CODE R / _____ MATERIAL _____		DRAWING NO. <b>NTS</b>		SCALE <b>NTS</b>		SHEET <b>2 OF 2</b>		CHECKED <b>GJA</b>		DRAWN BY <b>GJA</b>		ISSUE DATE <b>21/09/98</b>	
<b>RENISHAW</b>										Max. Sales Boston - 60801 - 6000 Essex, England.		DRAWING NO. <b>C-2249-0500-03-A</b>					
THIS DRAWING IS THE PROPERTY OF RENISHAW PLC - METROLOGY DIVISION, AND MAY NOT BE COPIED OR USED FOR ANY PURPOSE, OTHER THAN THAT FOR WHICH IT IS SUPPLIED, WITHOUT THE EXPRESS WRITTEN AUTHORITY OF RENISHAW PLC.																	

FCC ID: KQG RMP3-224



SEE PROCESS STANDARDS PROVIDED FOR DEFINITION OF SYMBOLS. UNLESS OTHERWISE SPECIFIED, ALL DIMENSIONS IN MILLIMETERS TOL. ±0.25 ANGLES .125° REMOVE SHARP CORNERS CHAMFER OR R0.5 MAX. INTERNAL HATCH 45° MAX. SURFACE TEXTURE TO BE 3243 Ra/IN DRAWING PRACTICE TO BE 308	3/4 ANGLE PROJECTION	TITLE	FIGURE NO.	DATE
A-1		CENTRIFUGAL SWITCH BOARD	GJA	17/03/99
		MATERIAL TYPE CODE	SHEET	ISSUE DATE
		R/	1 OF 1	
THIS DRAWING IS THE PROPERTY OF RENISHAW P24 - METROLOGY DIVISION. AND MAY NOT BE COPIED OR USED FOR ANY PURPOSE OTHER THAN THAT FOR WHICH IT IS SUPPLIED. WITHOUT THE EXPRESS WRITTEN AUTHORITY OF RENISHAW P24.	SCALE N.T.S.	DRAWING NO. C-2249-0580-02-A	CHECKER	ISSUE DATE

FCC ID: KQG RMP3-224

**RENISHAW**