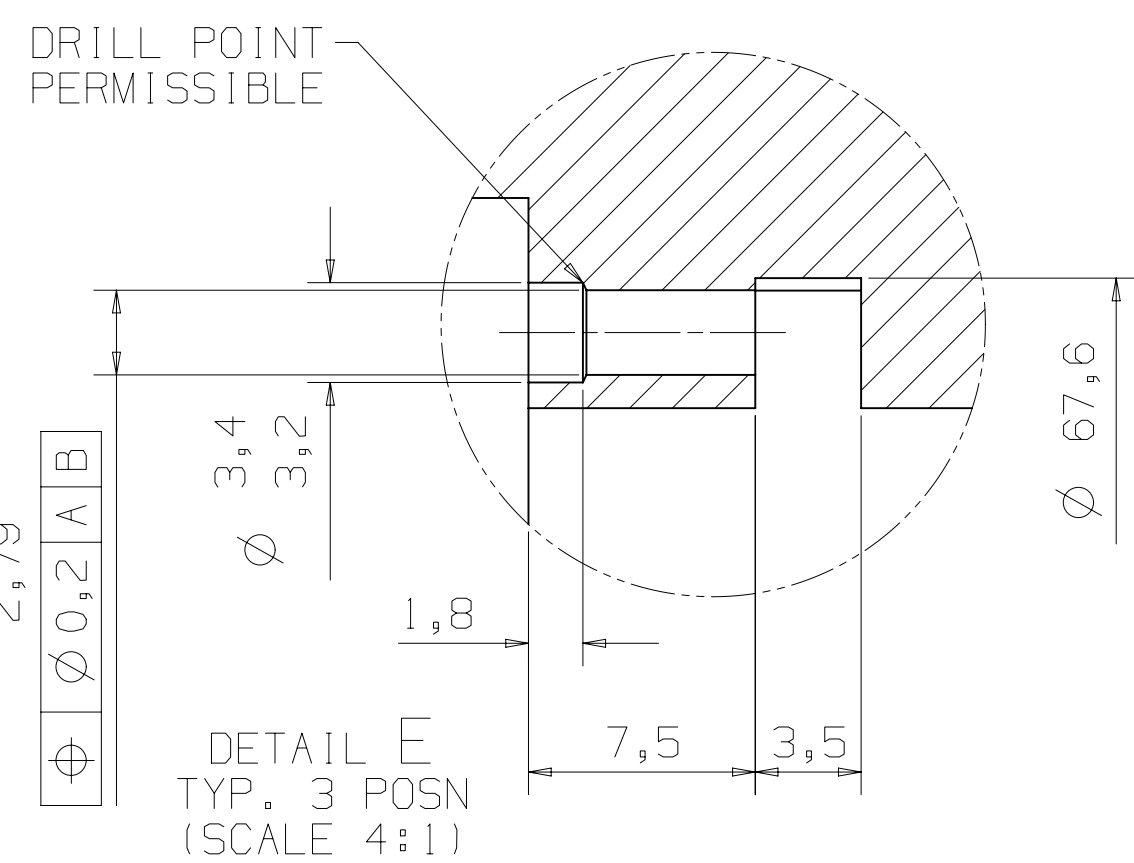
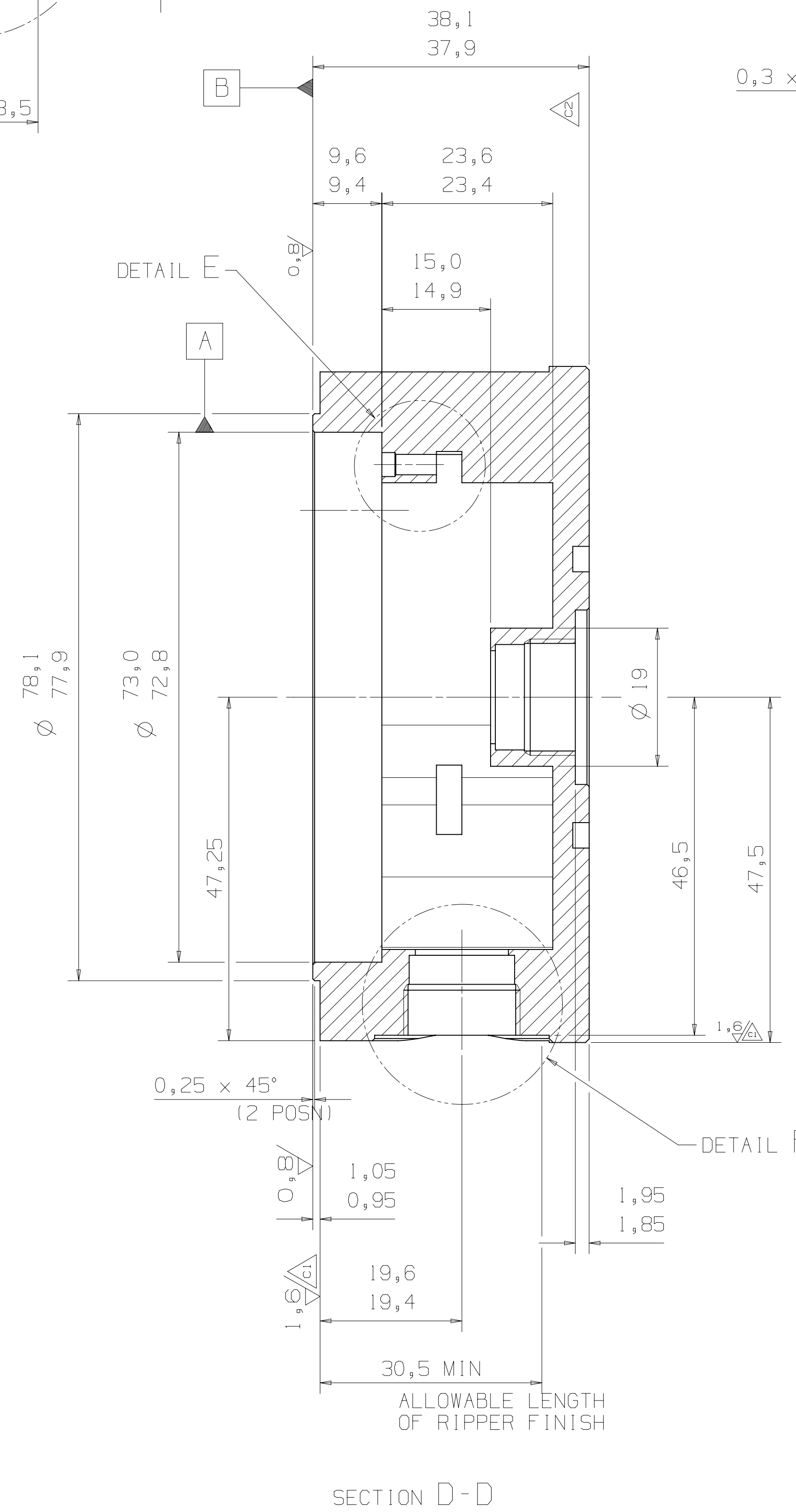
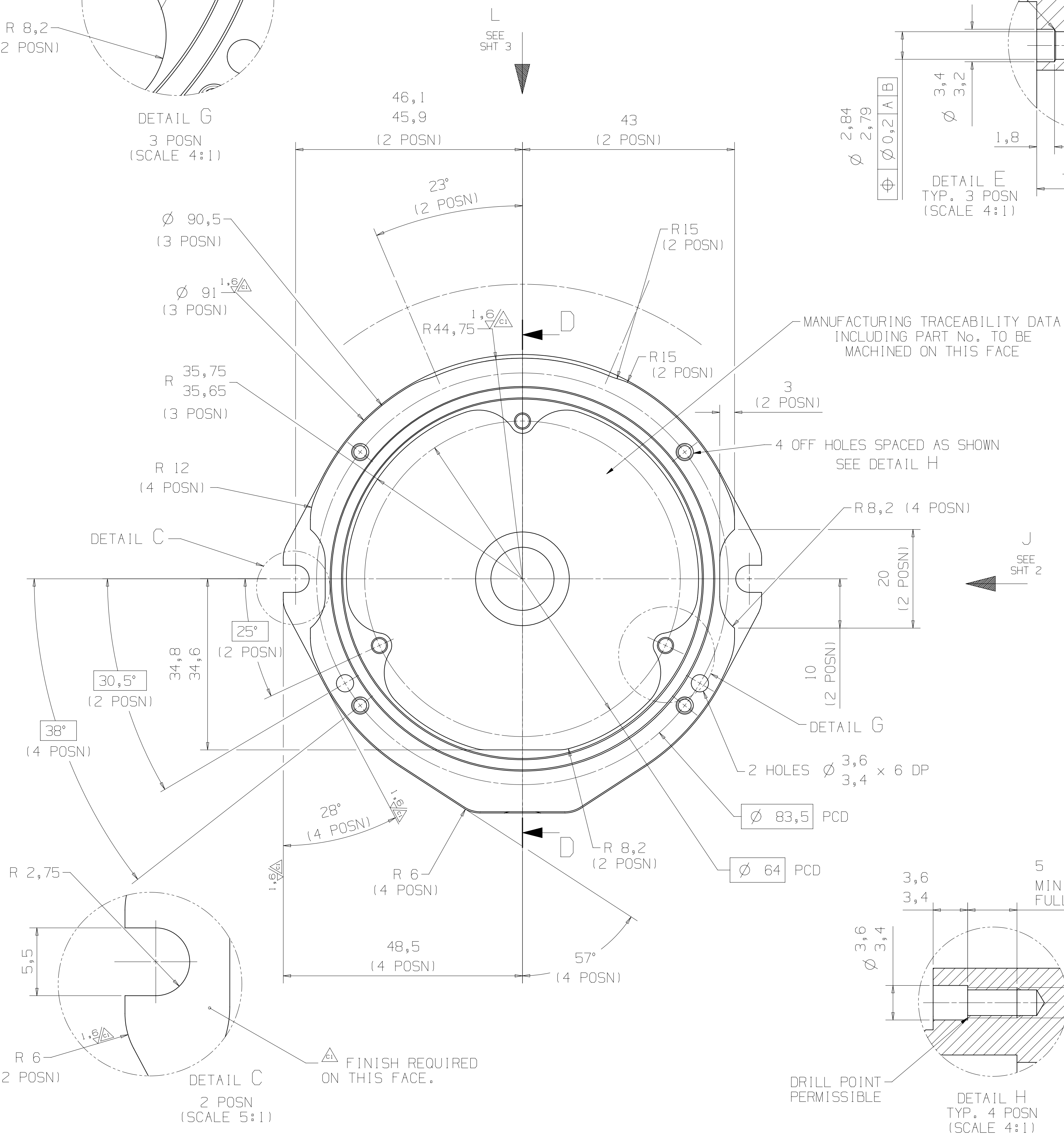
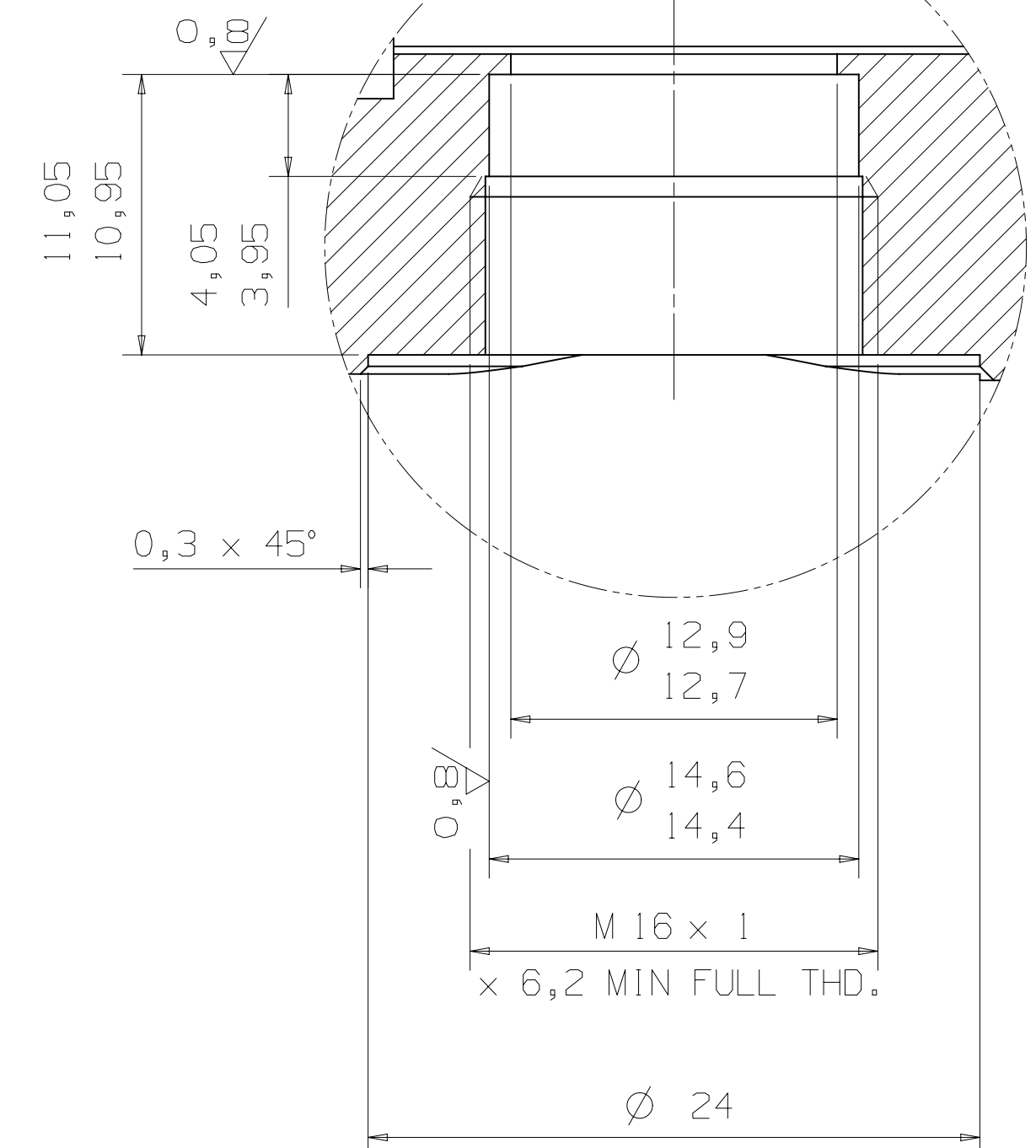


DETAIL G
3 POSN
(SCALE 4:1)

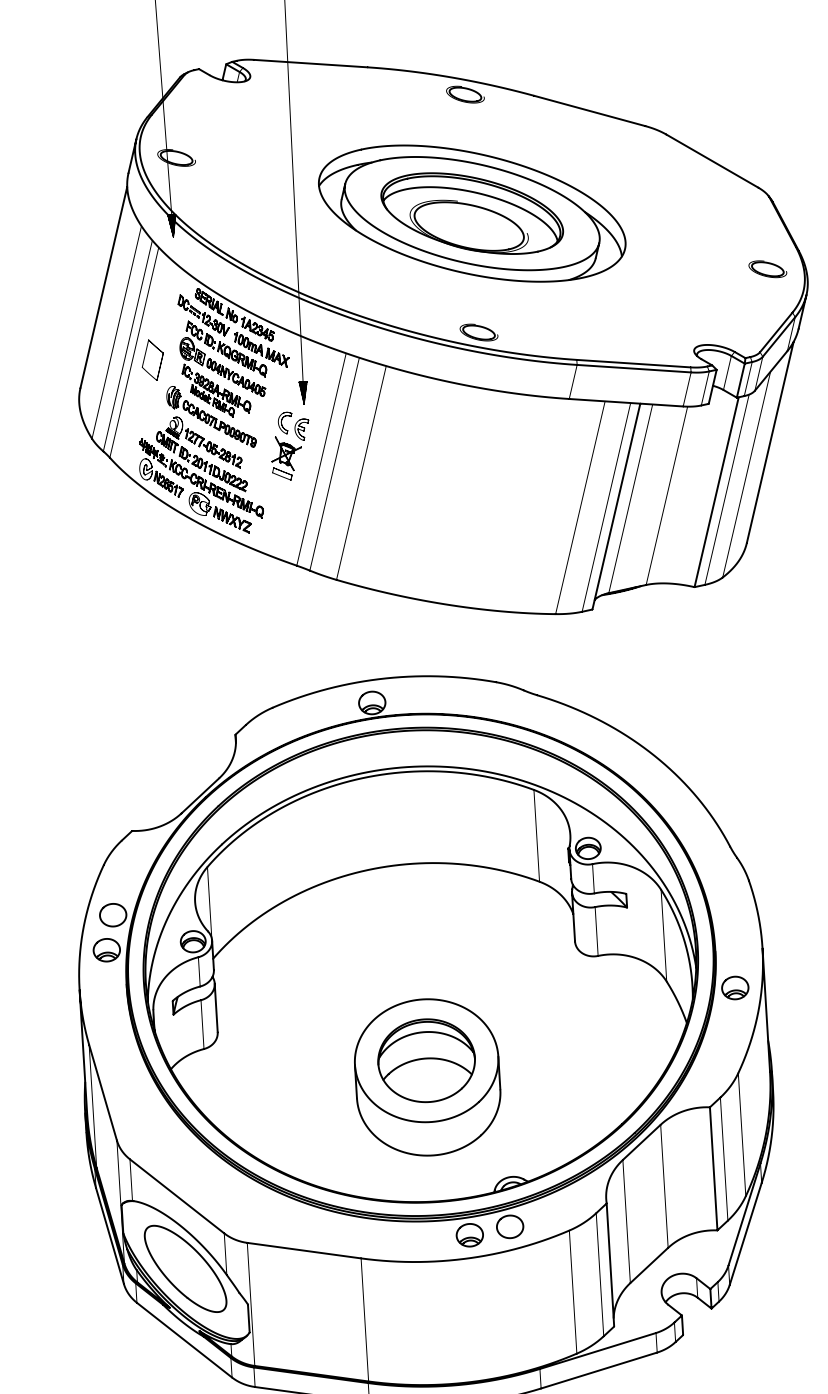


DETAIL E
TYP. 3 POSN
(SCALE 4:1)

DETAIL F
2 POSN
(SCALE 4:1)



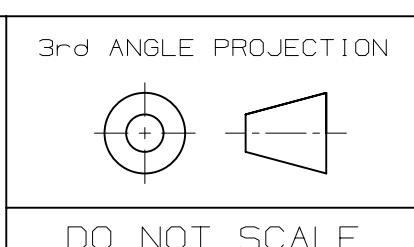
SECTION D-D



NOTES:-

- ALL HOLES $\varnothing 0,1 A B$ U.O.S.
- RIPPER FINISH TO DS90105 TO BE APPLIED TO ALL PERIMETER SURFACES U.O.S.
- DIMENSIONS APPLY BEFORE ANODISING.
- CHEMICALLY BRIGHTEN AND BLACK ANODISE TO EN 12371-1 CLASS 15 (RENISHAW REF. FP-3101).

SEE DESIGN STANDARD DS336 FOR DEFINITION OF Δ SYMBOL, UNLESS OTHERWISE STATED :
ALL DIMENSIONS IN MILLIMETRES TOL. $\pm 0,25$ ANGLES $\pm 2^\circ$
REMOVE SHARP CORNERS - CHAMFER OR R0,5 MAX.
INTERNAL RADI: 0,5 MAX. SURFACE TEXTURE - $\sqrt{0,32}$
THREADS TO BS 3643 6g/6h.
DRAWING PRACTICE TO BS 8888



3rd ANGLE PROJECTION	TITLE	ISSUE No.	DRAWN BY	DRAWN DATE
DO NOT SCALE	RMI-Q BODY	2482	PNO	SEPT 10
	MATERIAL TYPE CODE		SHEET	CHECKED
	R- 202!		1 OF 3	MPS
	MATERIAL	ALUMINIUM ALLOY EN 573-3-EN AW-6082-T6 (BS1474:1987 6082T6)		

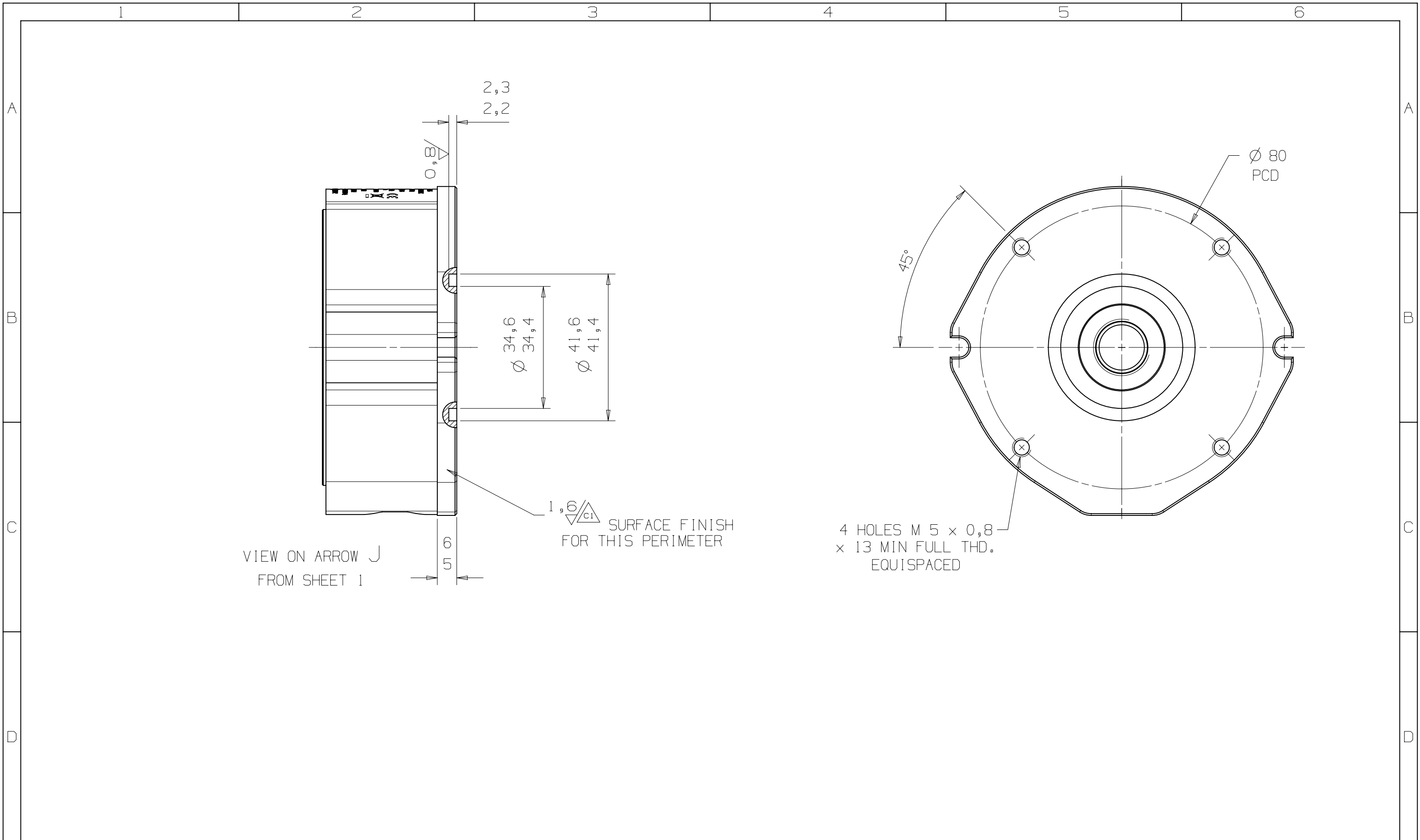
CONFIDENTIAL. THIS DRAWING IS THE PROPERTY OF © RENISHAW plc, AND MAY NOT BE COPIED OR USED FOR ANY PURPOSE, OTHER THAN THAT FOR WHICH IT IS SUPPLIED, WITHOUT THE EXPRESS WRITTEN AUTHORITY OF RENISHAW plc.

RENISHAW

Wotton - under - Edge
Glos, England,
GL12 8JR

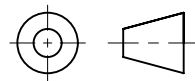
SCALE
U.O.S.
2:1

DRAWING No.
M-5687-0201-04-C



SEE DESIGN STANDARD DS336 FOR DEFINITION OF Δ SYMBOL. UNLESS OTHERWISE STATED :
 ALL DIMENSIONS IN MILLIMETRES TOL. $\pm 0,25$ ANGLES $\pm 2^\circ$
 REMOVE SHARP CORNERS - CHAMFER OR R0,5 MAX. $\sqrt{Ra} 3,2$
 INTERNAL RADII 0,5 MAX. SURFACE TEXTURE -
 THREADS TO BS 3643 6g/6h.
 DRAWING PRACTICE TO BS 8888

3rd ANGLE PROJECTION



DO NOT SCALE

TITLE

RMI-Q BODY

MATERIAL TYPE CODE

R- SEE SHEET 1

MATERIAL

SEE SHEET 1

ISSUE No.

2482

DRAWN BY

PNO

DRAWN DATE

SEPT 10

SHEET

2 of 3

CHECKED

MPS

CONFIDENTIAL. THIS DRAWING IS THE PROPERTY OF © RENISHAW p.l.c. AND MAY NOT BE COPIED OR USED FOR ANY PURPOSE, OTHER THAN THAT FOR WHICH IT IS SUPPLIED, WITHOUT THE EXPRESS WRITTEN AUTHORITY OF RENISHAW p.l.c.

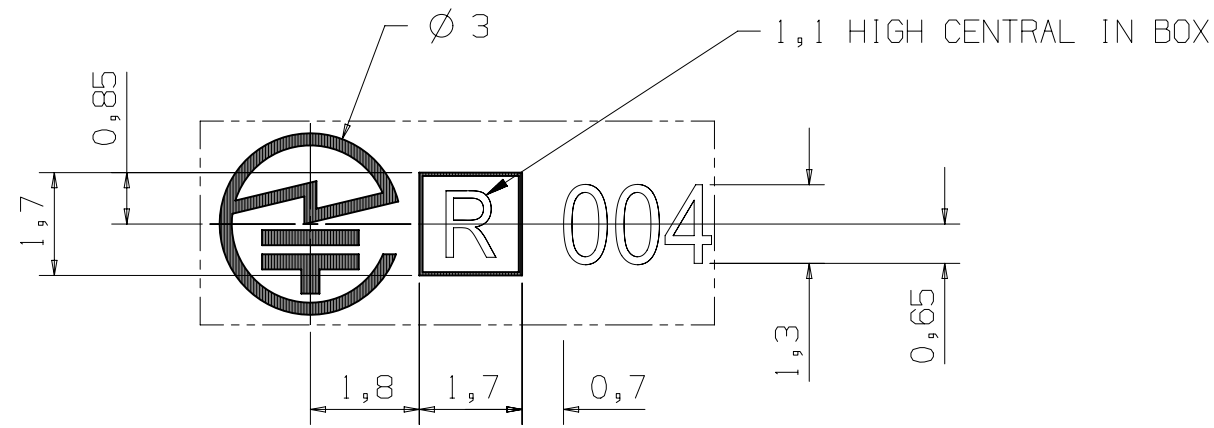
RENISHAW®

Wotton - under - Edge
 Glos. England.
 GL12 8JR

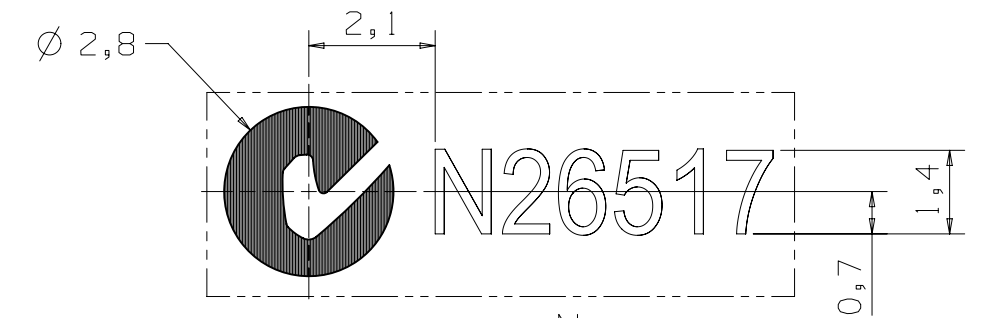
SCALE
 U.O.S.
 1:1

DRAWING No.

M-5687-0201-04-C

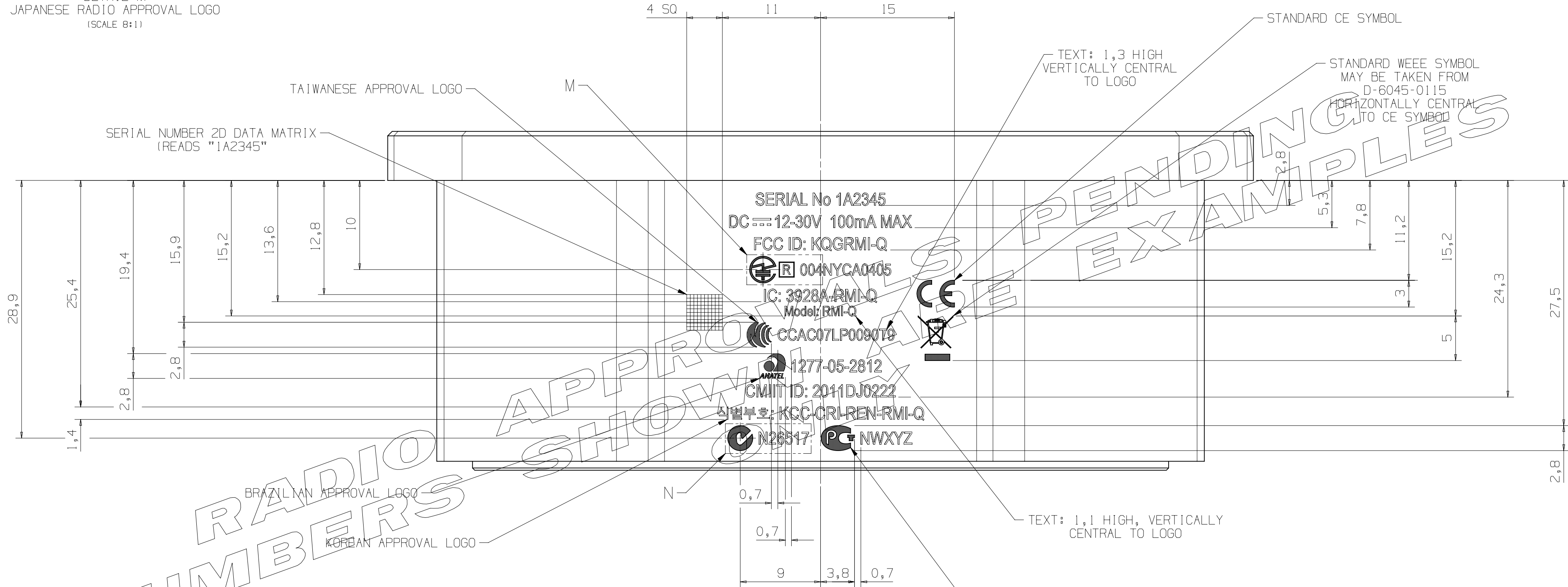


DETAIL M
JAPANESE RADIO APPROVAL LOGO
(SCALE 8:1)



DETAIL N
AUSTRALIAN RADIO APPROVAL LOGO
(SCALE 8:1)

VIEW ON ARROW L
FROM SHEET 1



NOTES:-

5. ALL TEXT TO BE HELVETICA MEDIUM 1,4 HIGH U.O.S. AND CENTRALLY DISPOSED ABOUT PART CENTRELINE U.O.S.
6. SERIAL NUMBER TO BE IN FORMAT SHOWN, BASED ON PROCEDURE QA323 (SERIAL NUMBER SHOWN IS AN EXAMPLE ONLY).
7. CE MARK AND WEEE SYMBOL TO LASER FILE \\Newbury\Mcshop\LASER\HPGL\5687\M-5687-0201-04-B_DRG-LASER1.plt
8. JAPANESE RADIO APPROVAL LOGO TO D-4113-0223 AND TO FILE \\Newbury\Mcshop\LASER\HPGL\5687\M-5687-0201-04-B_DRG-LASER3.plt
9. TAIWANESE RADIO APPROVAL LOGO TO D-4113-0228 AND TO FILE \\Newbury\Mcshop\LASER\HPGL\5687\M-5687-0201-04-B_DRG-LASER4.plt
10. BRAZILIAN RADIO APPROVAL LOGO TO D-4113-0224 AND TO FILE \\Newbury\Mcshop\LASER\HPGL\5687\M-5687-0201-04-B_DRG-LASER5.plt
11. KOREAN RADIO APPROVAL LOGO TO D-5480-0204 AND TO FILE \\Newbury\Mcshop\LASER\HPGL\5687\M-5687-0201-04-B_DRG-LASER6.plt
12. AUSTRALIAN RADIO APPROVAL LOGO TO D-5480-0206 AND TO FILE \\Newbury\Mcshop\LASER\HPGL\5687\M-5687-0201-04-B-LASER7.plt
13. RUSSIAN RADIO APPROVAL LOGO TO D-5480-0205 AND TO FILE \\Newbury\Mcshop\LASER\HPGL\5687\M-5687-0201-04-B-LASER8.plt , TEXT VERTICALLY CENTRAL TO LOGO.

SEE DESIGN STANDARD DS336 FOR DEFINITION OF SYMBOL. UNLESS OTHERWISE STATED : ALL DIMENSIONS IN MILLIMETRES TOL. ±0,25 ANGLES ±2° REMOVE SHARP CORNERS - CHAMFER OR R0,5 MAX. INTERNAL RADIUS 0,5 MAX. SURFACE TEXTURE - √Ra 3,2 THREADS TO BS 3643 6g/6H. DRAWING PRACTICE TO BS 8888	3rd ANGLE PROJECTION DO NOT SCALE	TITLE RMI - Q BODY		ISSUE No. 2482	DRAWN BY PNO	DRAWN DATE MAR 12
		MATERIAL TYPE CODE R- SEE SHEET 1	MATERIAL SEE SHEET 1	SHEET 3 OF 3	CHECKED MPS	
CONFIDENTIAL. THIS DRAWING IS THE PROPERTY OF © RENISHAW plc, AND MAY NOT BE COPIED OR USED FOR ANY PURPOSE, OTHER THAN THAT FOR WHICH IT IS SUPPLIED, WITHOUT THE EXPRESS WRITTEN AUTHORITY OF RENISHAW plc.				SCALE U.O.S. 3:1	DRAWING No. M-5687-0201-04-C	