

PROGRAMMING LED - DISPLAY
 FCC ID: KQG MI16-433

FIRST ISSUE N°	DRAWN BY	DRAWING DATE
2 of 3	JM CHANCY	01 04 97
SHEET	CHECKED	ISSUE DATE
		29 03 02

TITLE

MI16 FRONT PANEL

THIS DRAWING IS THE PROPERTY OF RENISHAW METROLOGY LTD AND MAY NOT BE COPIED OR USED FOR ANY PURPOSE OTHER THAN THAT FOR WHICH IT IS SUPPLIED WITHOUT THE EXPRESS WRITTEN AUTHORITY OF RENISHAW METROLOGY LTD

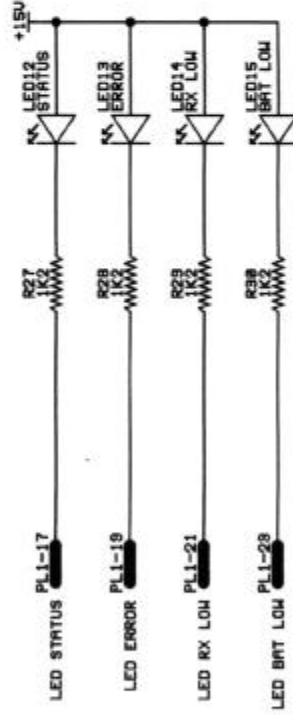
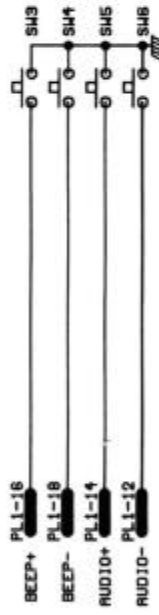
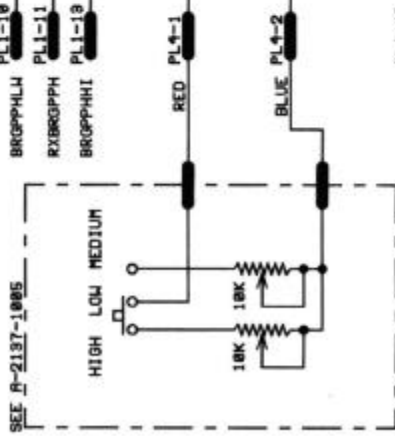
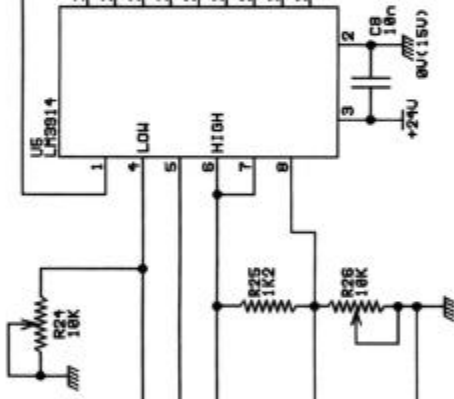
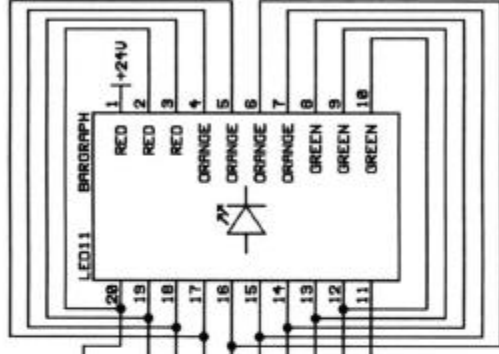
RENISHAW New Mills
Hotton Under Edge
Glos. England C 2137 0004 03 A

4

3

2

1



STATUS LED - RX LEVEL

FCC ID: KQG MI16-433

FIRST ISSUE N°	DRAWN BY	DRAWING DATE
3 of 3	JM CHANCY	01 04 97
	CHECKED	ISSUE DATE
		29 03 02

MI16 FRONT PANEL

Renishaw New Mills
Motton Under Edge
Glos., England

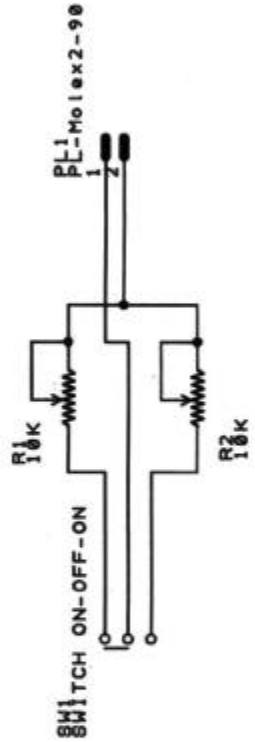
RENISHAW

C 2137 0004 03 A

MI16FP38.SCH (major 1 98' At offset 0.1 0.3)

THIS DRAWING IS THE PROPERTY OF RENISHAW METROLOGY LTD AND MAY NOT BE COPIED OR USED FOR ANY PURPOSE OTHER THAN THAT FOR WHICH IT IS SUPPLIED WITHOUT THE EXPRESS WRITTEN AUTHORITY OF RENISHAW METROLOGY LTD

FCC ID: K00 MI16-433



FIRST ISSUE No	DRAWN BY	DRAWING DATE
SHEET	JM CHANCY	12 03 02
1 OF 1	CHECKED	ISSUE DATE
	S CRESSON	12 03 02

TITLE

SENSITIVITY PWB

THIS DRAWING IS THE PROPERTY OF RENISHAW METROLOGY LTD AND MAY NOT BE COPIED OR USED FOR ANY PURPOSE OTHER THAN THAT FOR WHICH IT IS SUPPLIED WITHOUT THE EXPRESS WRITTEN AUTHORITY OF RENISHAW METROLOGY LTD

New Mills
Moston Under Edge
Glas. England

RENISHAW

C-2137-1004-01-A