

1

2

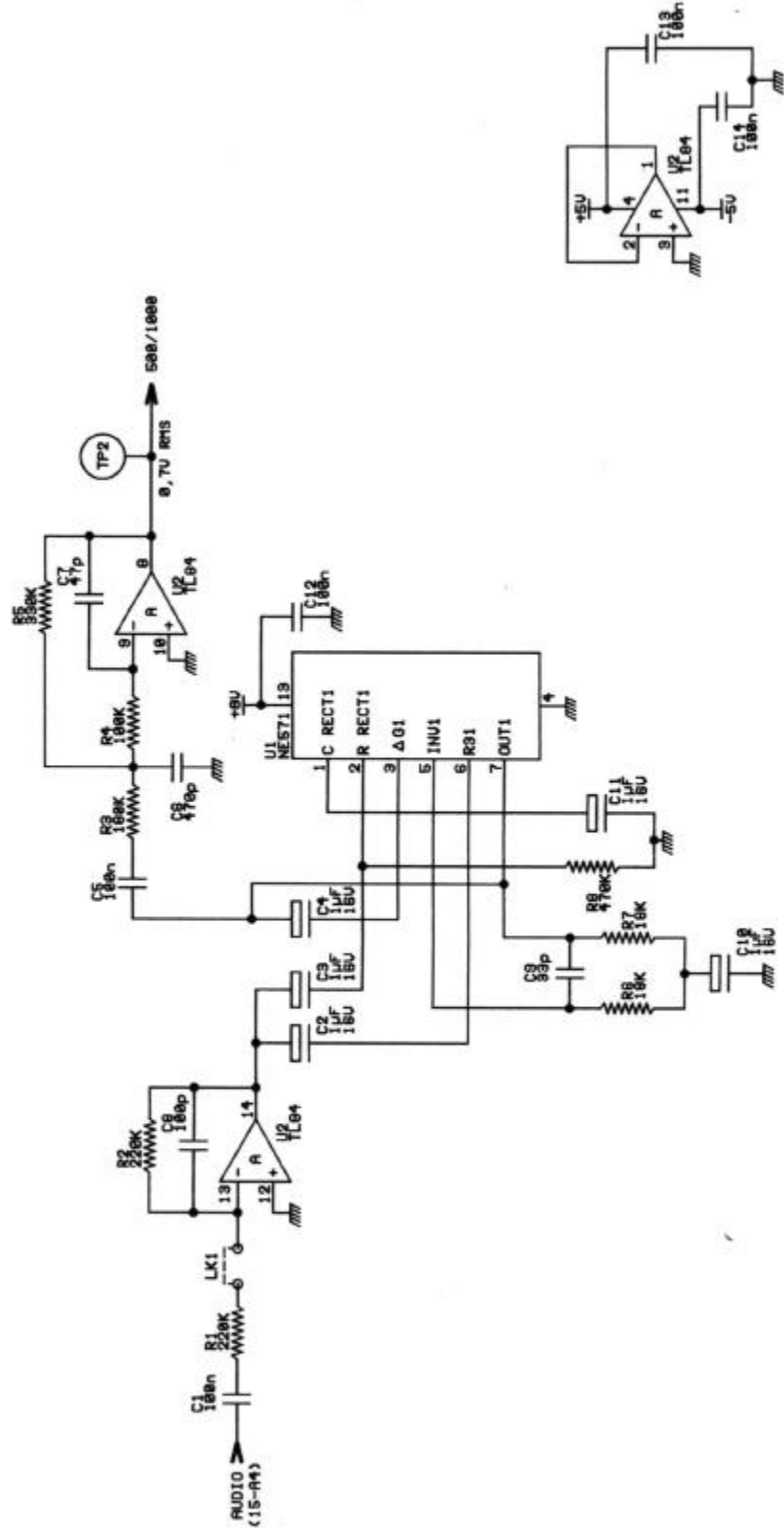
3

4

A

B

C



FCC ID: KQG MI16-433

ALC/FILTER

FIRST ISSUE N°	DRAWN BY	DRAWING DATE
3 OF 16	JM CHANCY	01 04 97
	CHECKED	ISSUE DATE
		29 03 02

TITLE

MI16 LOGIC PWB

Renishaw
 Motton Under Edge
 G106, England

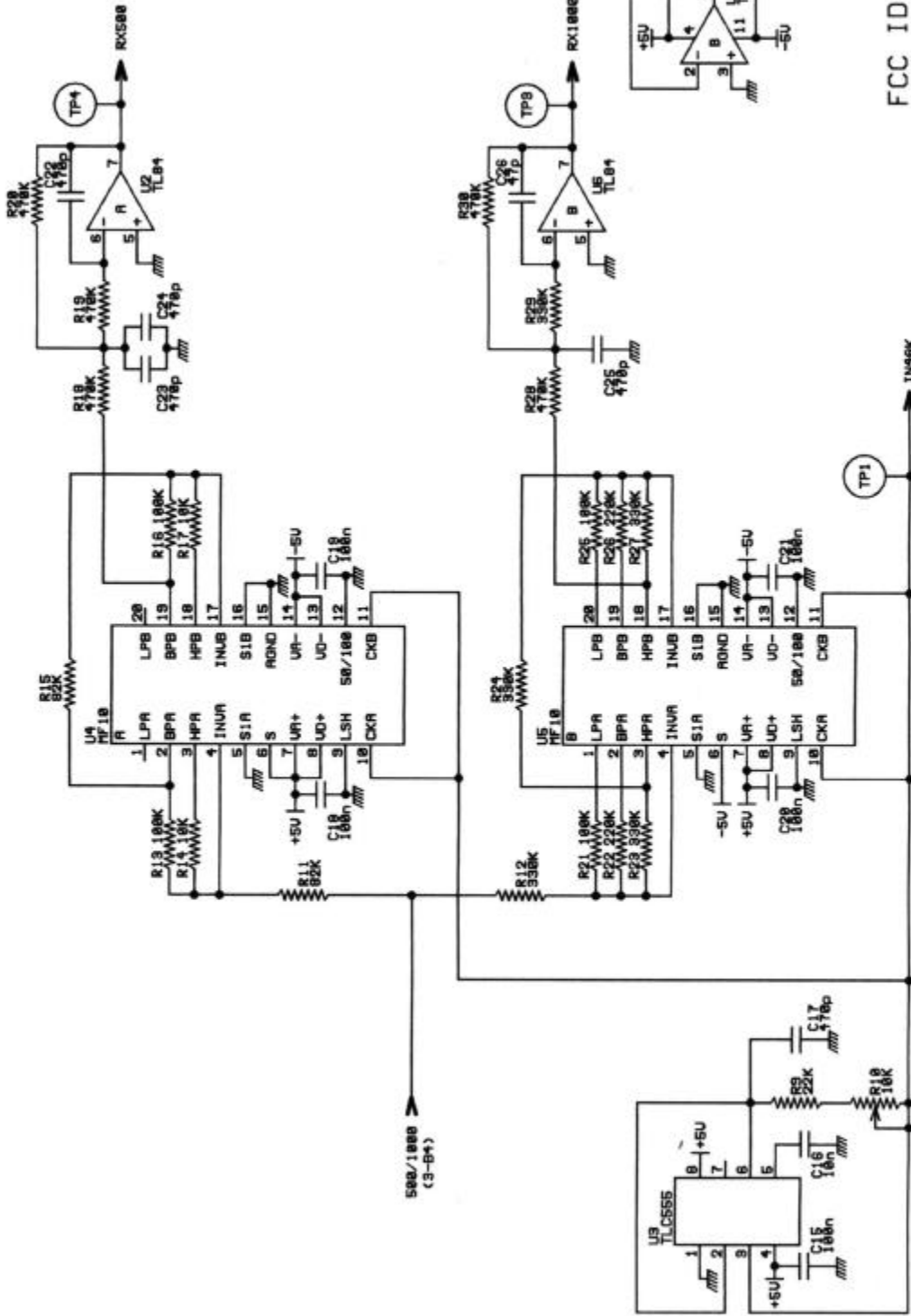
RENISHAW

C 2137 0011 03 A

MI16L3.SCH (Layer 1 90° RA offset 0.1 0.3)

THIS DRAWING IS THE PROPERTY OF RENISHAW METROLOGY LTD AND MAY NOT BE COPIED OR USED FOR ANY PURPOSE OTHER THAN THAT FOR WHICH IT IS SUPPLIED WITHOUT THE EXPRESS WRITTEN AUTHORITY OF RENISHAW METROLOGY LTD

1 2 3 4



FCC ID: KQG MI16-433

500/1000 FILTER

FIRST ISSUE N°	DRAWN BY	DRAWING DATE
4 of 16	JM CHANCY	01 04 97
SHEET	CHECKED	ISSUE DATE
		29 03 02

TITLE

MI16 LOGIC PWB

RENISHAW

New Mills
Hotton Under Edge
Glos. England

C 2137 0011 03 A

THIS DRAWING IS THE PROPERTY OF
RENISHAW METROLOGY LTD AND MAY NOT BE
COPIED OR USED FOR ANY PURPOSE OTHER
THAN THAT FOR WHICH IT IS SUPPLIED
WITHOUT THE EXPRESS WRITTEN AUTHORITY
OF RENISHAW METROLOGY LTD

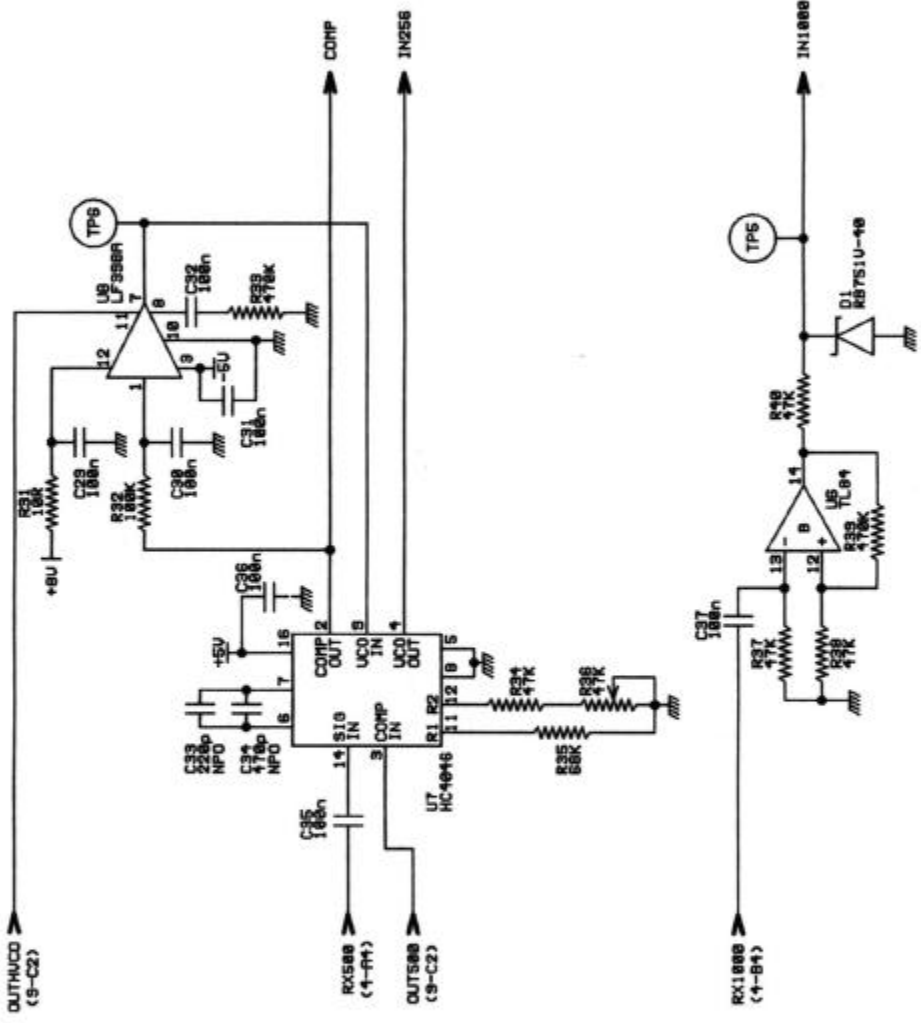
MI16L4 SCH (layer 1 90' A4 offset 0.1 0.3)

1

2

3

4



FCC ID: KQG MI16-433

MI16L5.SCH (Layer 1 90' A4 offset 0.1 0.3)

RX UCO

THIS DRAWING IS THE PROPERTY OF RENISHAW METROLOGY LTD AND MAY NOT BE COPIED OR USED FOR ANY PURPOSE OTHER THAN THAT FOR WHICH IT IS SUPPLIED WITHOUT THE EXPRESS WRITTEN AUTHORITY OF RENISHAW METROLOGY LTD

TITLE

MI16 LOGIC PWB

New Mills
Hotton Under Edge
Gloss., England

RENISHAW

C 2137 0011 03 A

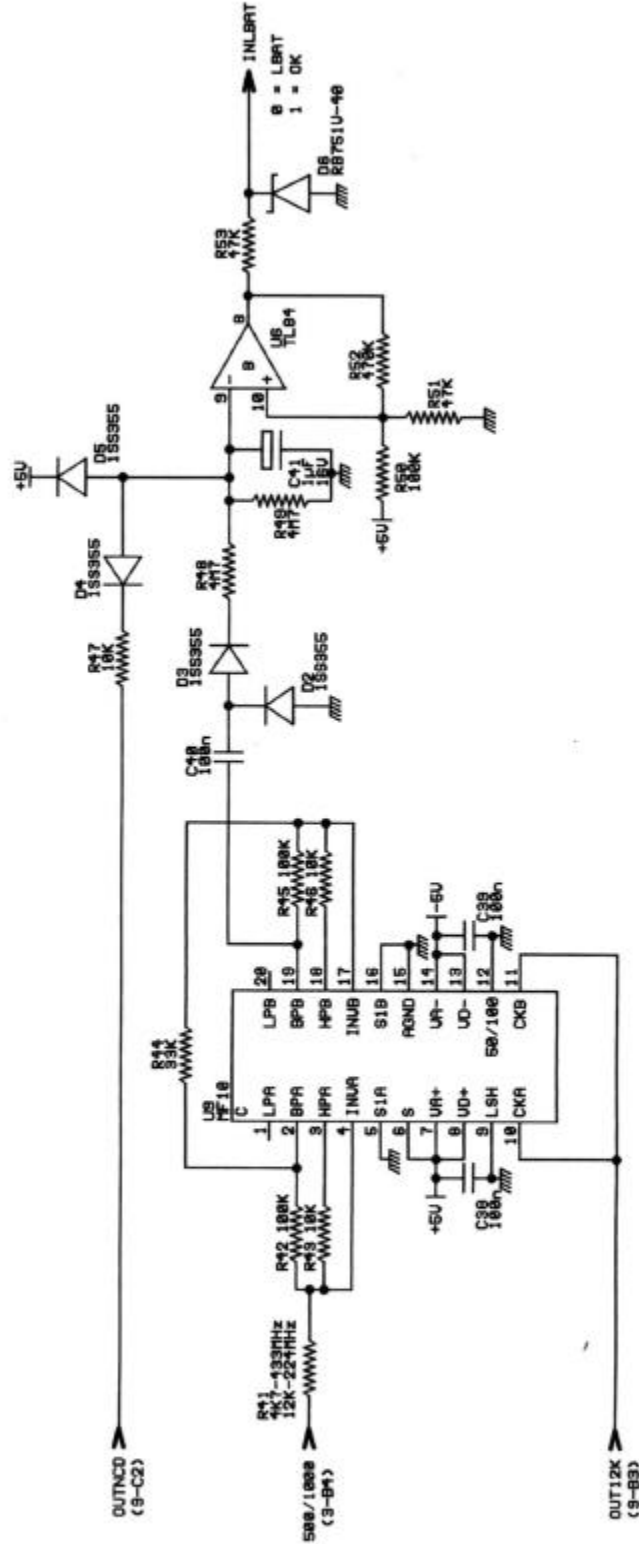
FIRST ISSUE N°	DRAWN BY	DRIVING DATE
SHEET	JM CHANCY	01 04 97
5 of 16	CHECKED	ISSUE DATE
		29 03 02

4

3

2

1



FCC ID: KQG MI16-433

FIRST ISSUE N°	DRAIN BY	BATTERY LEVEL
6 of 16	JM CHANCY	01 04 97
CHECKED		ISSUE DATE
		29 03 02

MI16 LOGIC PWB

New Mills
Hotton Under Edge
Glos. England

RENISHAW

C 2137 0011 03 A

MI16L6.SCH (Layer 1 90" RA offset 0.1 B.3)

TITLE

THIS DRAWING IS THE PROPERTY OF RENISHAW METROLOGY LTD AND MAY NOT BE COPIED OR USED FOR ANY PURPOSE OTHER THAN THAT FOR WHICH IT IS SUPPLIED WITHOUT THE EXPRESS WRITTEN AUTHORITY OF RENISHAW METROLOGY LTD

1

2

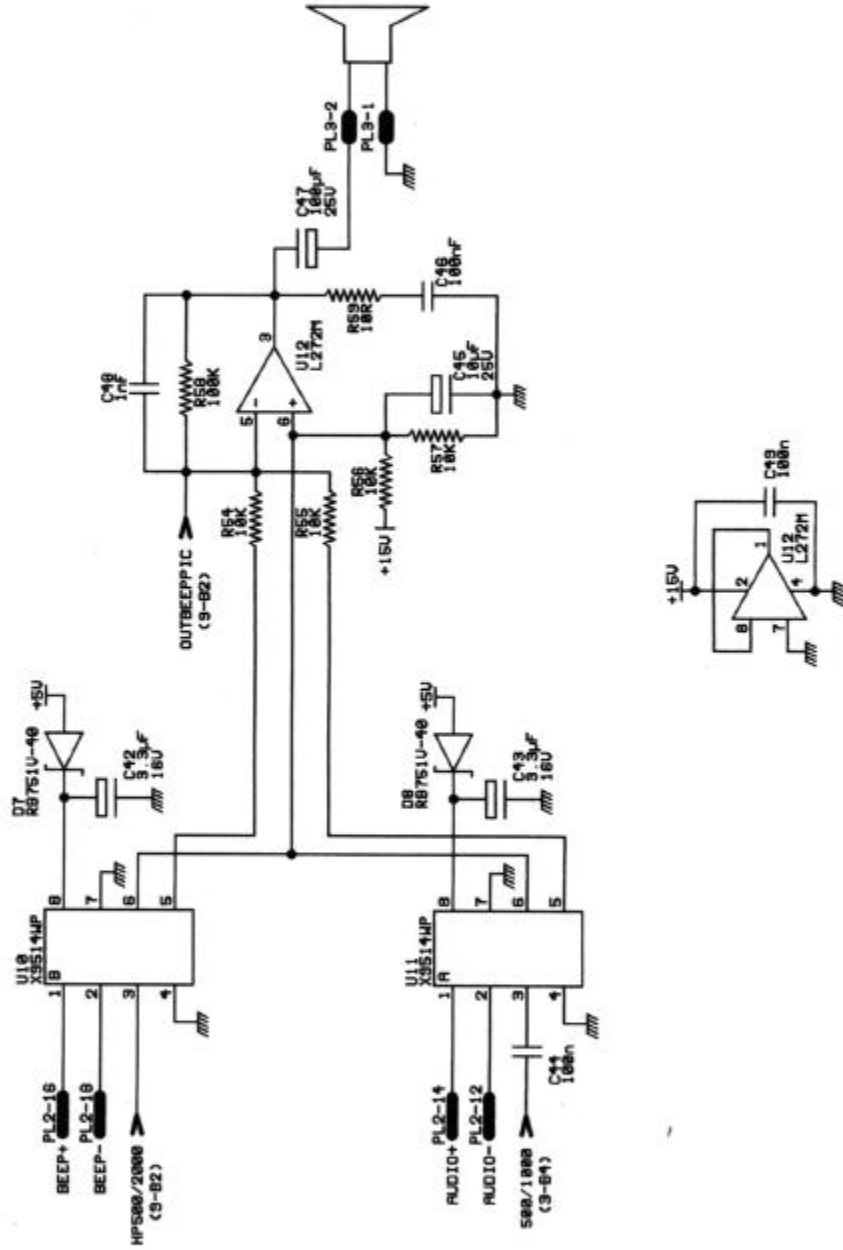
3

4

A

B

C



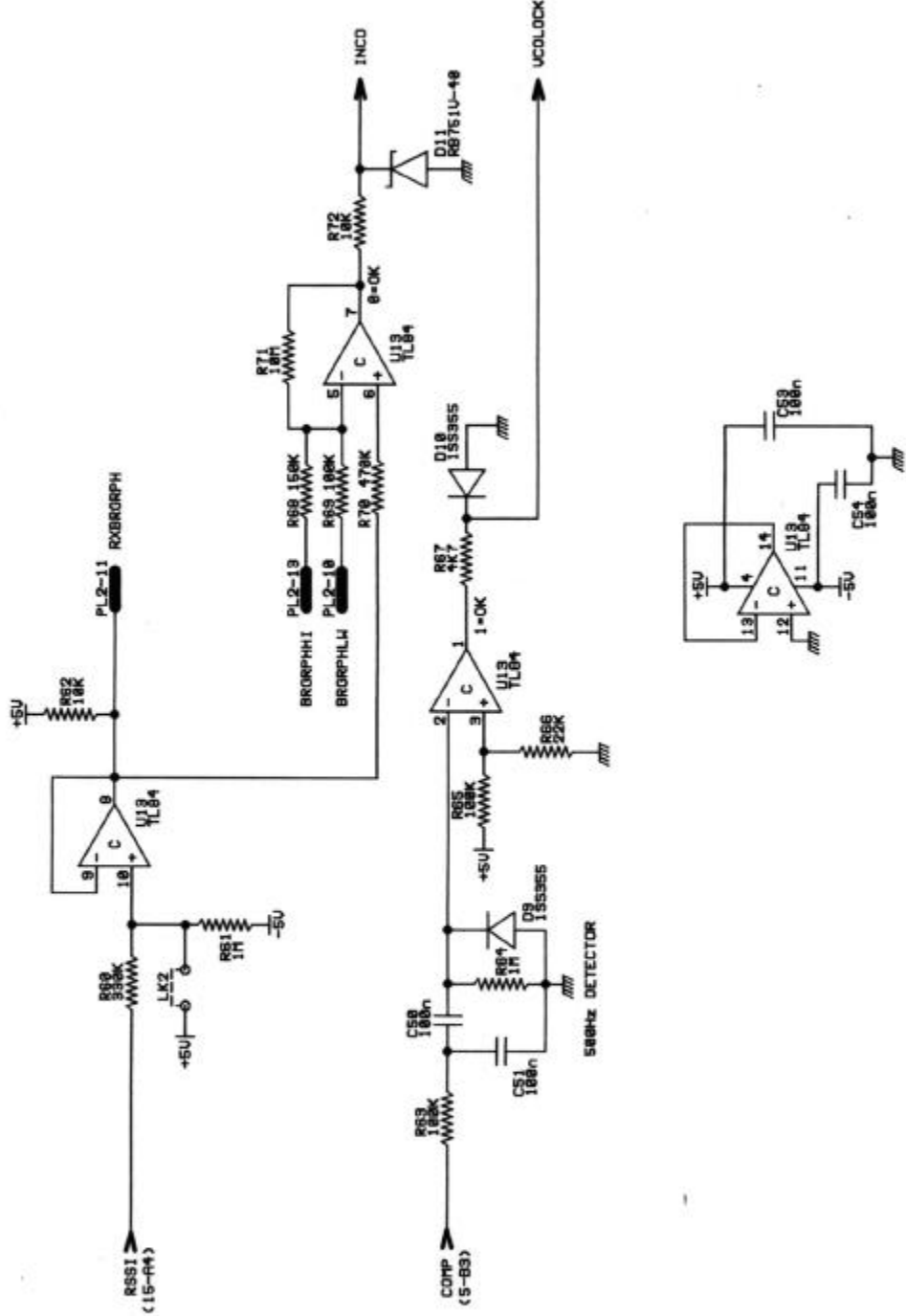
FCC ID: KQG MI16-433

TITLE MI16 LOGIC PWB		FIRST ISSUE N° 01		DRAWING DATE 01 04 97	
RENISHAW		SHEET 7 of 16		CHECKED J.M. CHANCY	
New Mills Hotton Under Edge Glos. England		C 2137 0011 03 A			

MI16L7.SCH (layer 1 S0* At offset 0.1 0.3)

THIS DRAWING IS THE PROPERTY OF RENISHAW METROLOGY LTD AND MAY NOT BE COPIED OR USED FOR ANY PURPOSE OTHER THAN THAT FOR WHICH IT IS SUPPLIED WITHOUT THE EXPRESS WRITTEN AUTHORITY OF RENISHAW METROLOGY LTD

LOUDSPEAKER



FCC ID: KQG MI16-433
 RX SIGNAL LEVEL

FIRST ISSUE N°	DRAWN BY	DRAWING DATE
8 of 16	JM CHANCY	01 04 97
SHEET	CHECKED	ISSUE DATE
		29 03 02

TITLE

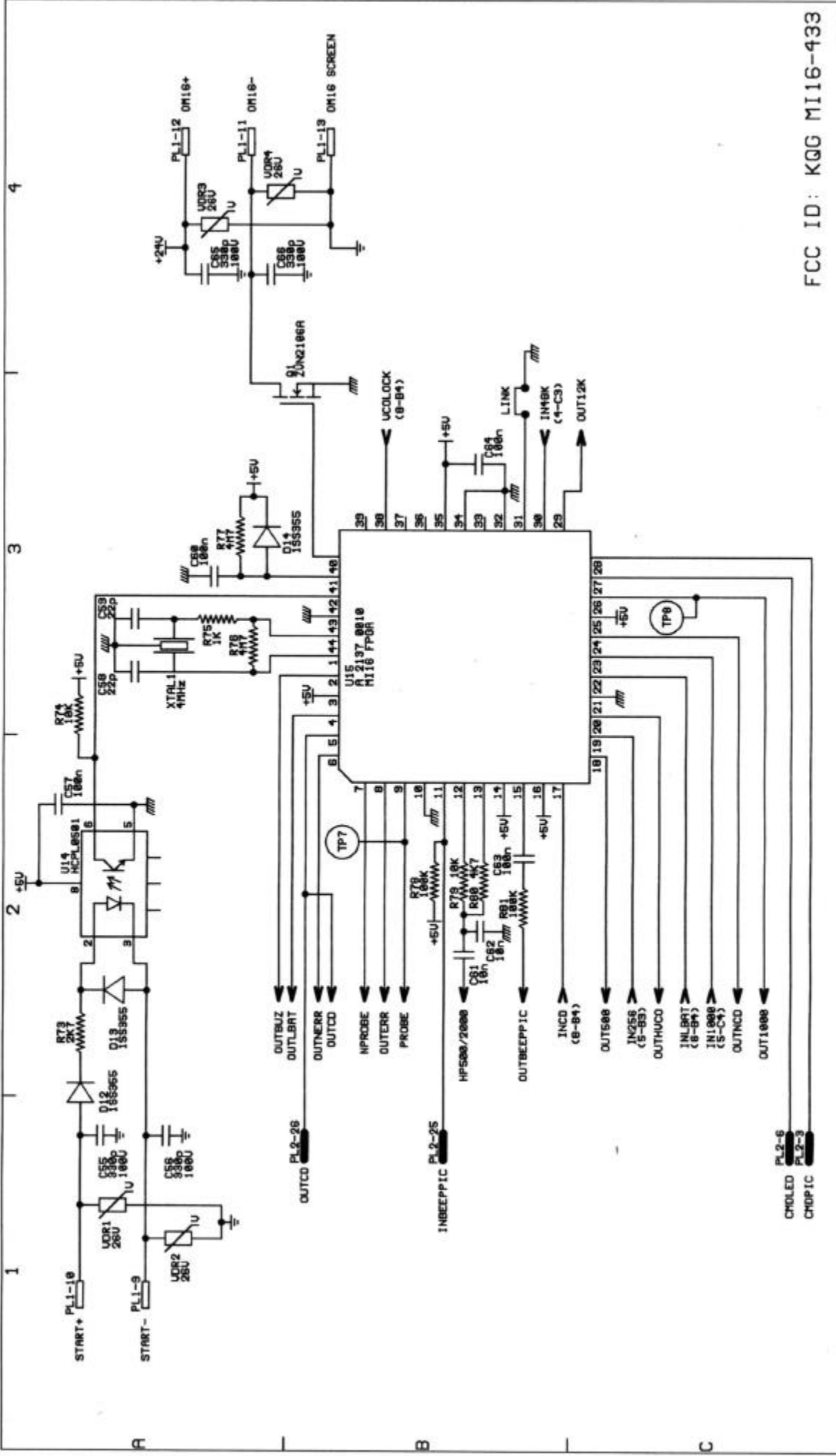
MI16 LOGIC PWB

Renishaw
 New Mills
 Wotton Under Edge
 Glos. England

C 2137 0011 03 A

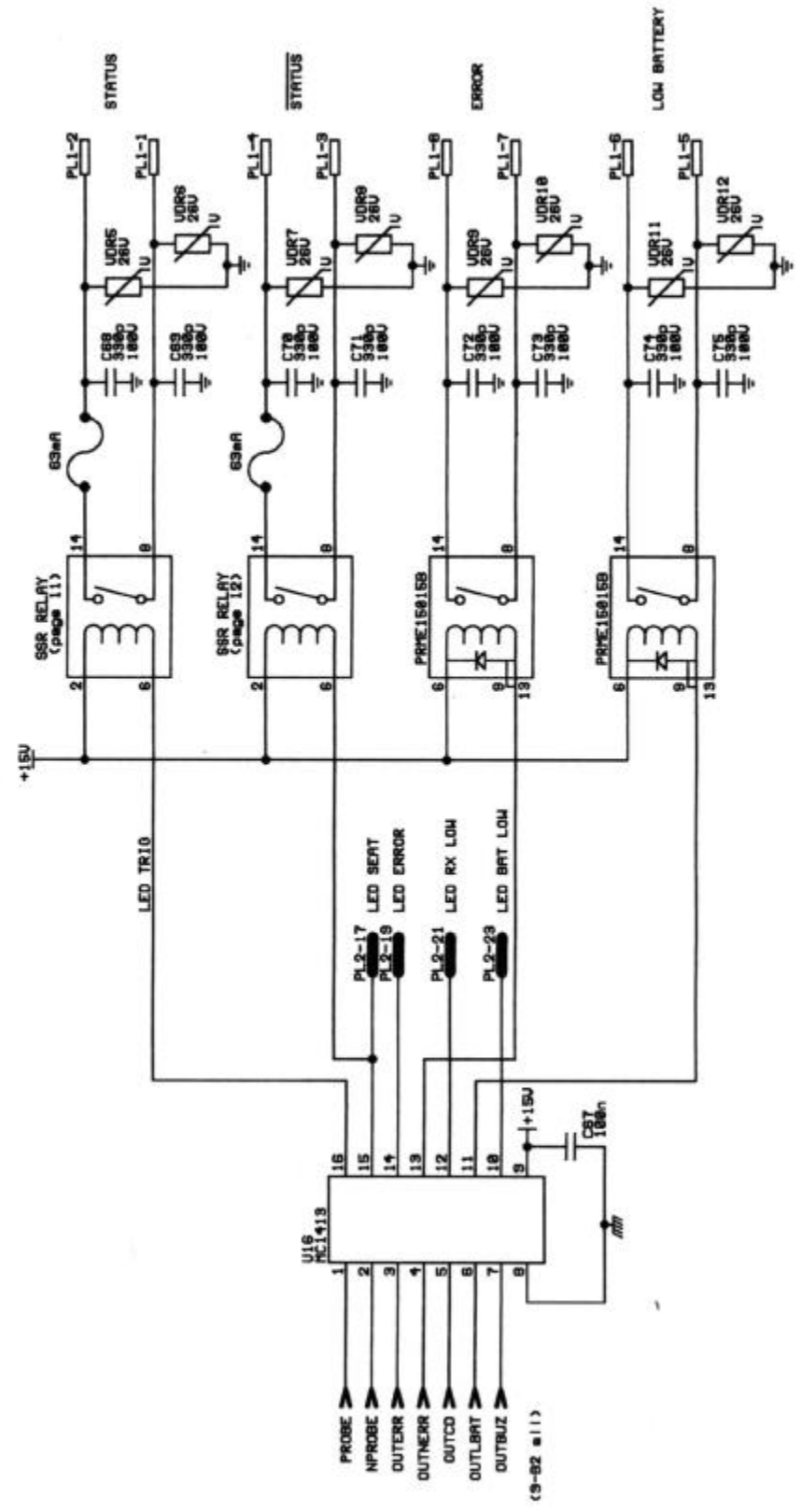
MI16L8.SCH (Layer 1 80' R4 offset 0.1 0.3)

THIS DRAWING IS THE PROPERTY OF RENISHAW METROLOGY LTD AND MAY NOT BE COPIED OR USED FOR ANY PURPOSE OTHER THAN THAT FOR WHICH IT IS SUPPLIED WITHOUT THE EXPRESS WRITTEN AUTHORITY OF RENISHAW METROLOGY LTD



MIBLS.SCH (layer 1 90* A4 offset 0.1 0.3)		FCC ID: KQG MI16-433		DRAWING DATE	
TITLE		MI16 LOGIC PWB		JM CHANCY	
THIS DRAWING IS THE PROPERTY OF RENISHAW METROLOGY LTD AND MAY NOT BE COPIED OR USED FOR ANY PURPOSE OTHER THAN THAT FOR WHICH IT IS SUPPLIED WITHOUT THE EXPRESS WRITTEN AUTHORITY OF RENISHAW METROLOGY LTD		RENISHAW		CHECKED	
New mills Wotton Under Edge Glos. England		C 2137 0011 03 A		ISSUE DATE	
				29 03 02	
				SHEET	
				9 of 16	
				FPGA	

1 2 3 4



FCC ID: KQG MI16-433

LED/RELAY DRIVER	
FIRST ISSUE N°	DRAWING DATE
JM CHANCY	01 04 97
CHECKED	ISSUE DATE
10 of 16	29 03 02

TITLE
MI16 LOGIC PWB

New Mills
 Wotton Under Edge
 Glos., England

RENISHAW

C 2137 0011 03 A

MI16L10.SCH (layer 1 90' A4 offset 0.1 0.3)

THIS DRAWING IS THE PROPERTY OF
 RENISHAW METROLOGY LTD AND MAY NOT BE
 COPIED OR USED FOR ANY PURPOSE OTHER
 THAN THAT FOR WHICH IT IS SUPPLIED
 WITHOUT THE EXPRESS WRITTEN AUTHORITY
 OF RENISHAW METROLOGY LTD

4

3

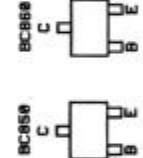
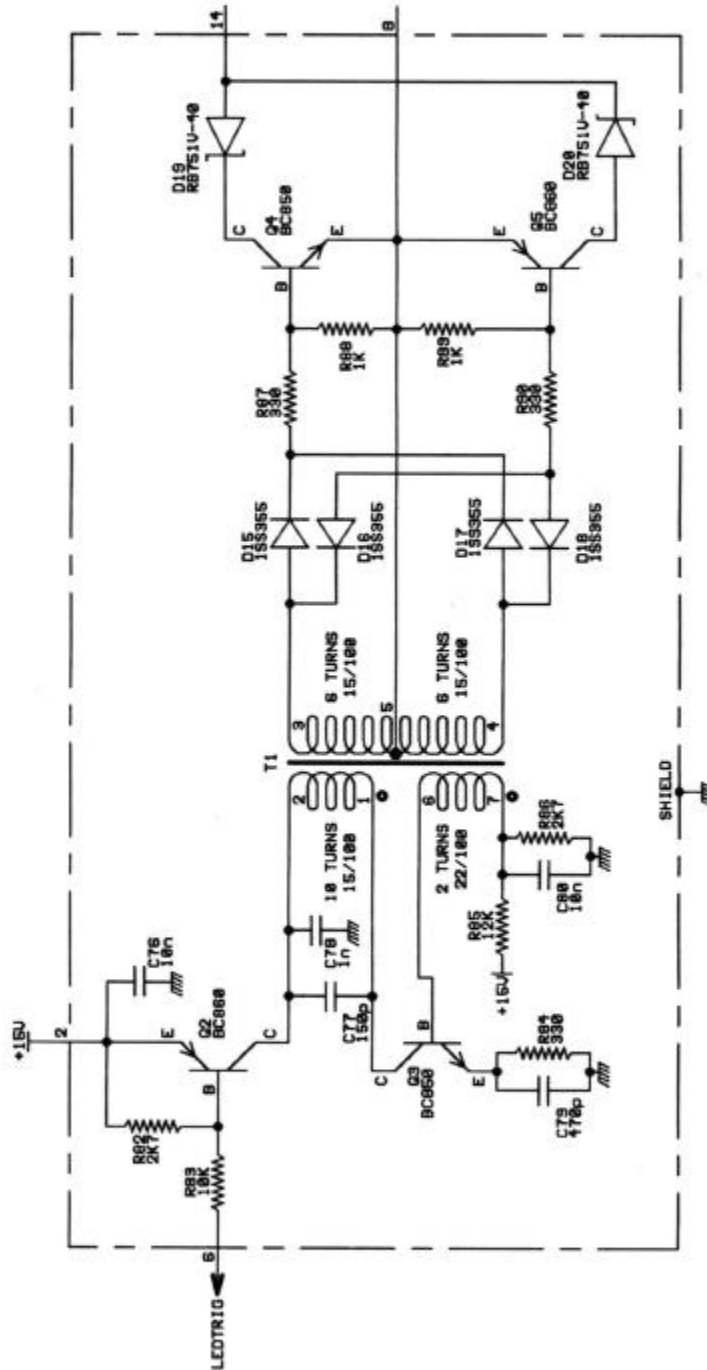
2

1

A

B

C



FCC ID: KQG MI16-433

FIRST ISSUE N°	DRAWN BY	DRIVING DATE
11 of 16	JM CHANCY	01 04 97
SHEET	CHECKED	ISSUE DATE
		29 03 02

MI16L11.SCH (layer 1.90' RA offset 0.1 0.3)

THIS DRAWING IS THE PROPERTY OF RENISHAW METROLOGY LTD AND MAY NOT BE COPIED OR USED FOR ANY PURPOSE OTHER THAN THAT FOR WHICH IT IS SUPPLIED WITHOUT THE EXPRESS WRITTEN AUTHORITY OF RENISHAW METROLOGY LTD

TITLE

MI16 LOGIC PWB

New Mills
Hotton Under Edge
Glos. England

RENISHAW

C 2137 0011 03 A

SSR RELAY

1

2

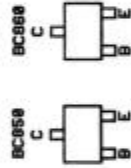
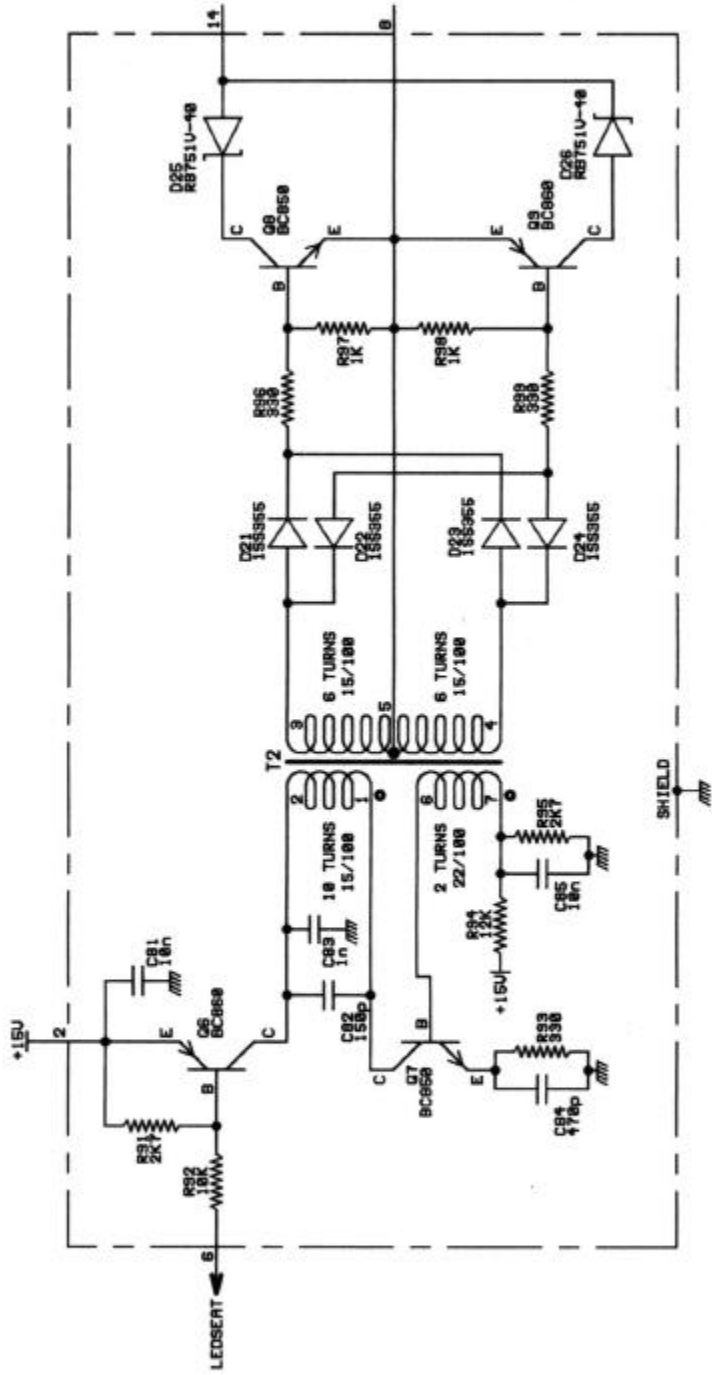
3

4

A

B

C



FCC ID: KQG MI16-433

M116L12.5CH (layer 1.98" A4 offset 0.1 @.3)

THIS DRAWING IS THE PROPERTY OF
 RENISHAW METROLOGY LTD AND MAY NOT BE
 COPIED OR USED FOR ANY PURPOSE OTHER
 THAN THAT FOR WHICH IT IS SUPPLIED
 WITHOUT THE EXPRESS WRITTEN AUTHORITY
 OF RENISHAW METROLOGY LTD

TITLE

MI16 LOGIC PWB

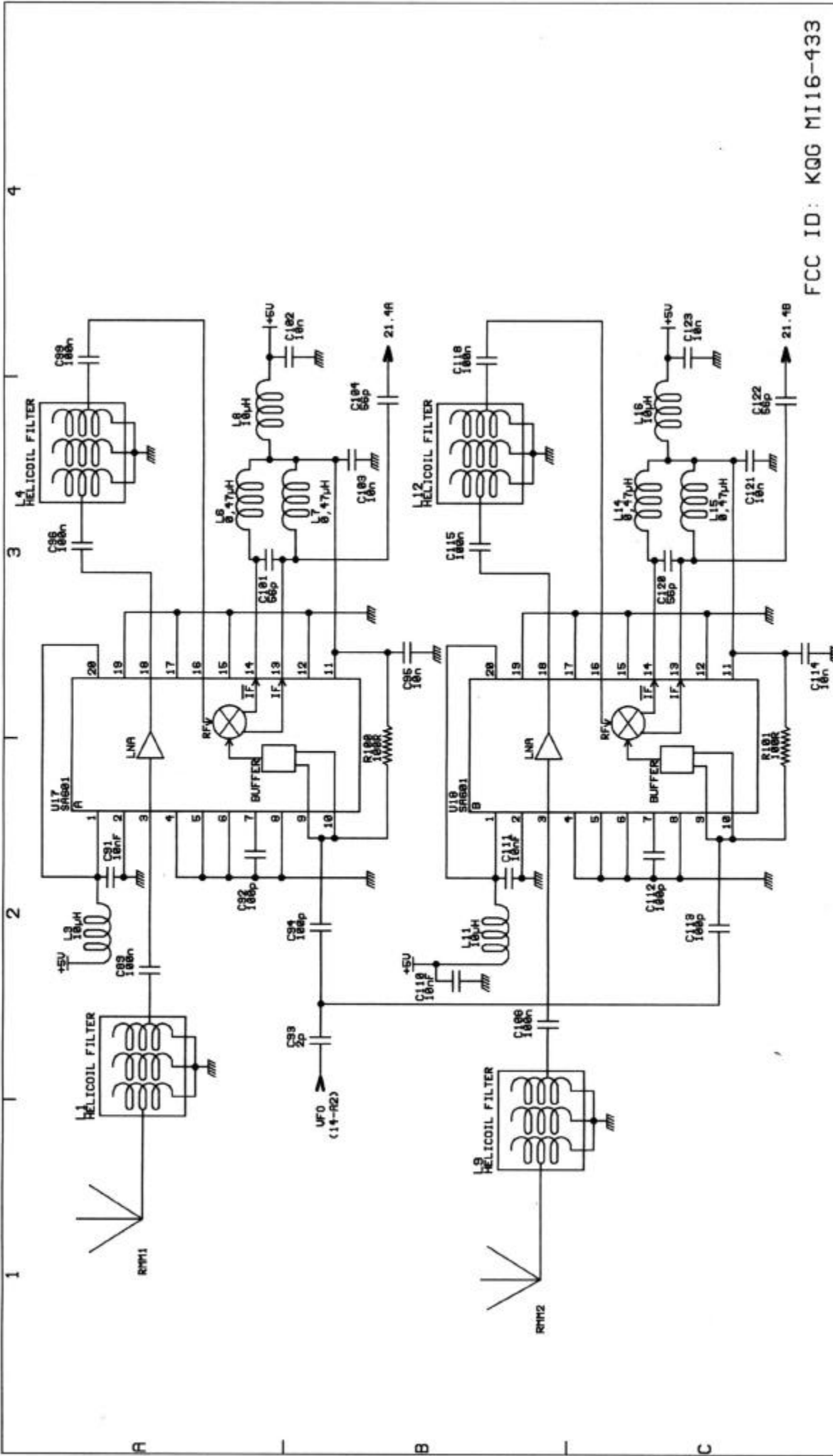
New Mills
Hotton Under Edge
Glos. England

RENISHAW

C 2137 0011 03 A

SSR RELAY

FIRST ISSUE N°	DRAWN BY	DRAWING DATE
12 OF 16	JM CHANCY	01 04 97
SHEET	CHECKED	ISSUE DATE
		29 03 02



FCC ID: KQG MI16-433

FIRST ISSUE N°		DRAWING DATE	
JM CHANCY		01 04 97	
SHEET		CHECKED	
13 of 16		ISSUE DATE	
		29 03 02	

HF AMPLI AND MIXER

TITLE

MI16 LOGIC PWB

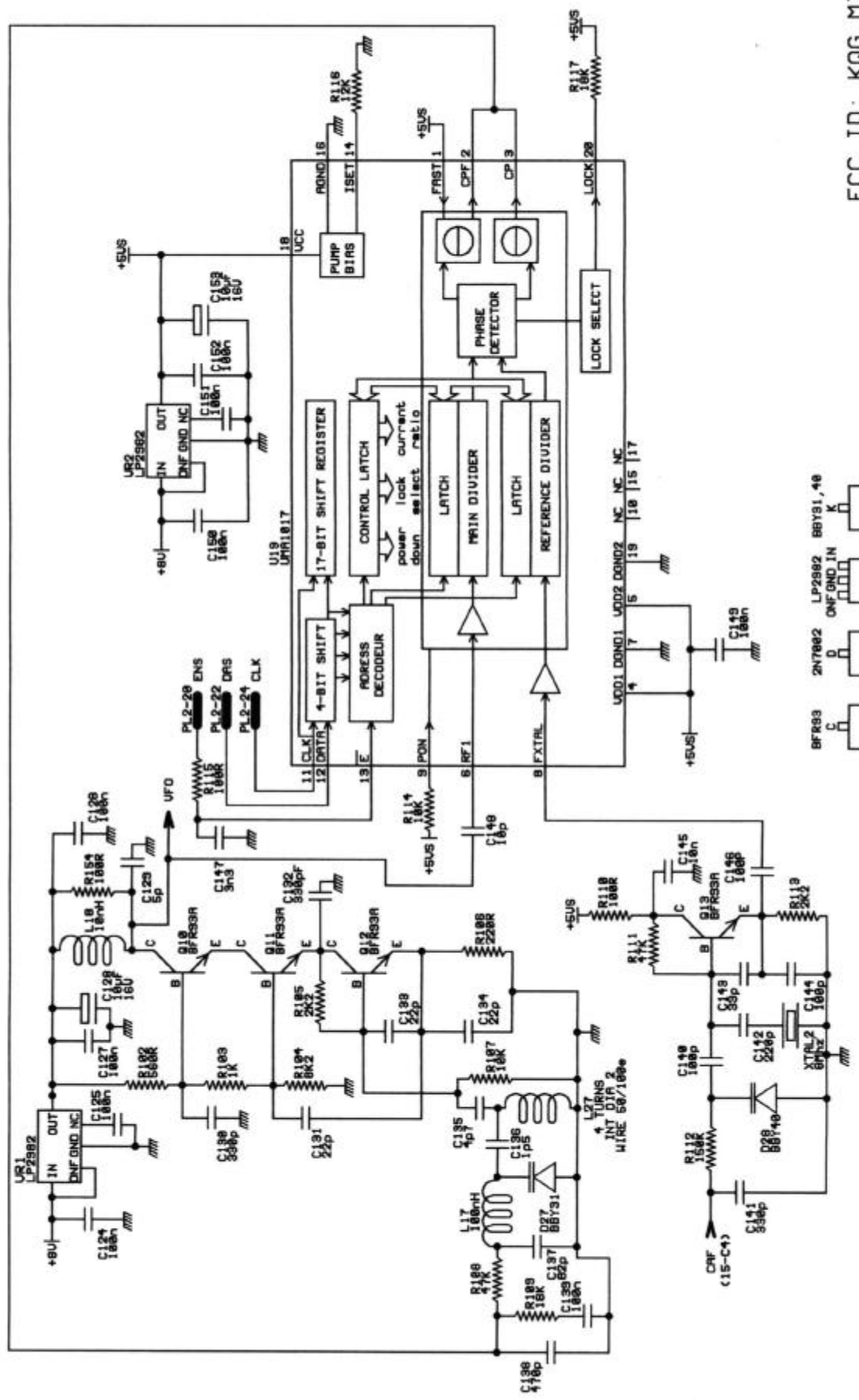
RENISHAW

New Mills
Hotton Under Edge
Gloss, England

C 2137 0011 03 A

THIS DRAWING IS THE PROPERTY OF
RENISHAW METROLOGY LTD AND MAY NOT BE
COPIED OR USED FOR ANY PURPOSE OTHER
THAN THAT FOR WHICH IT IS SUPPLIED
WITHOUT THE EXPRESS WRITTEN AUTHORITY
OF RENISHAW METROLOGY LTD

1 2 3 4



FCC ID: KQG MI16-433

UFO AND SYNTHETYSER

FIRST ISSUE N°	DRAWN BY	DRAWING DATE
14 of 16	JM CHANCY	01 04 97
SHEET	CHECKED	ISSUE DATE
		29 03 02

MI16 LOGIC PWB

New Mills
Wotton Under Edge
Glos. England

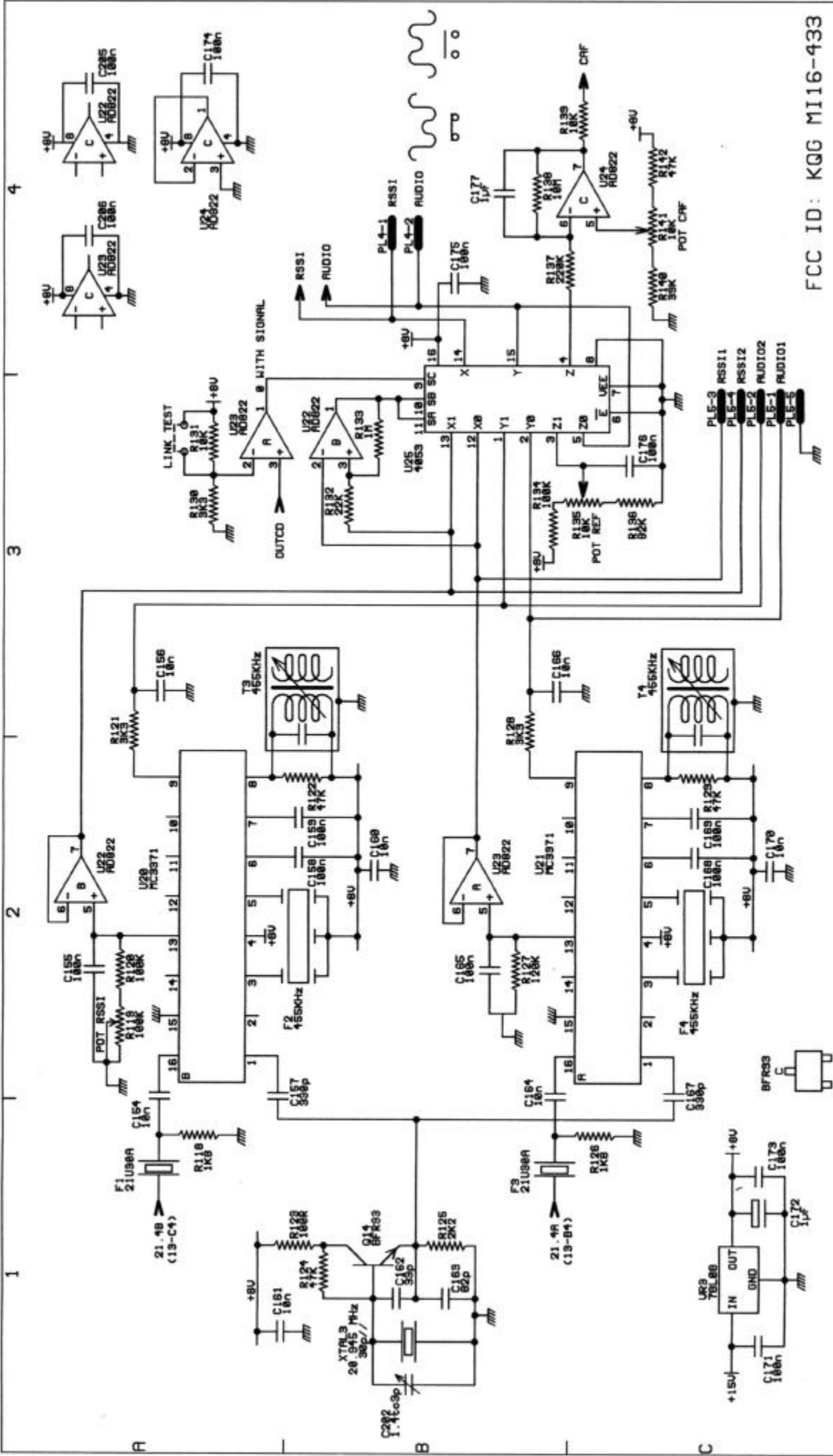
RENISHAW

C 2137 0011 03 A

MI16L14.SCH (layer 1.98) At offset 0.1 0.3

TITLE

THIS DRAWING IS THE PROPERTY OF
RENISHAW METROLOGY LTD AND MAY NOT BE
COPIED OR USED FOR ANY PURPOSE OTHER
THAN THAT FOR WHICH IT IS SUPPLIED
WITHOUT THE EXPRESS WRITTEN AUTHORITY
OF RENISHAW METROLOGY LTD



MI16L15.SCH (layer 1 99' A4 offset 0.1 0.3)

THIS DRAWING IS THE PROPERTY OF RENISHAW METROLOGY LTD AND MAY NOT BE COPIED OR USED FOR ANY PURPOSE OTHER THAN THAT FOR WHICH IT IS SUPPLIED WITHOUT THE EXPRESS WRITTEN AUTHORITY OF RENISHAW METROLOGY LTD

FCC ID: KQG MI16-433

MI16 RECEIVER
 FIRST ISSUE N° DRAIN BY JM CHANCY
 SHEET 15 OF 16
 CHECKED
 ISSUE DATE 01 04 97
 29 03 02

MI16 LOGIC PWB

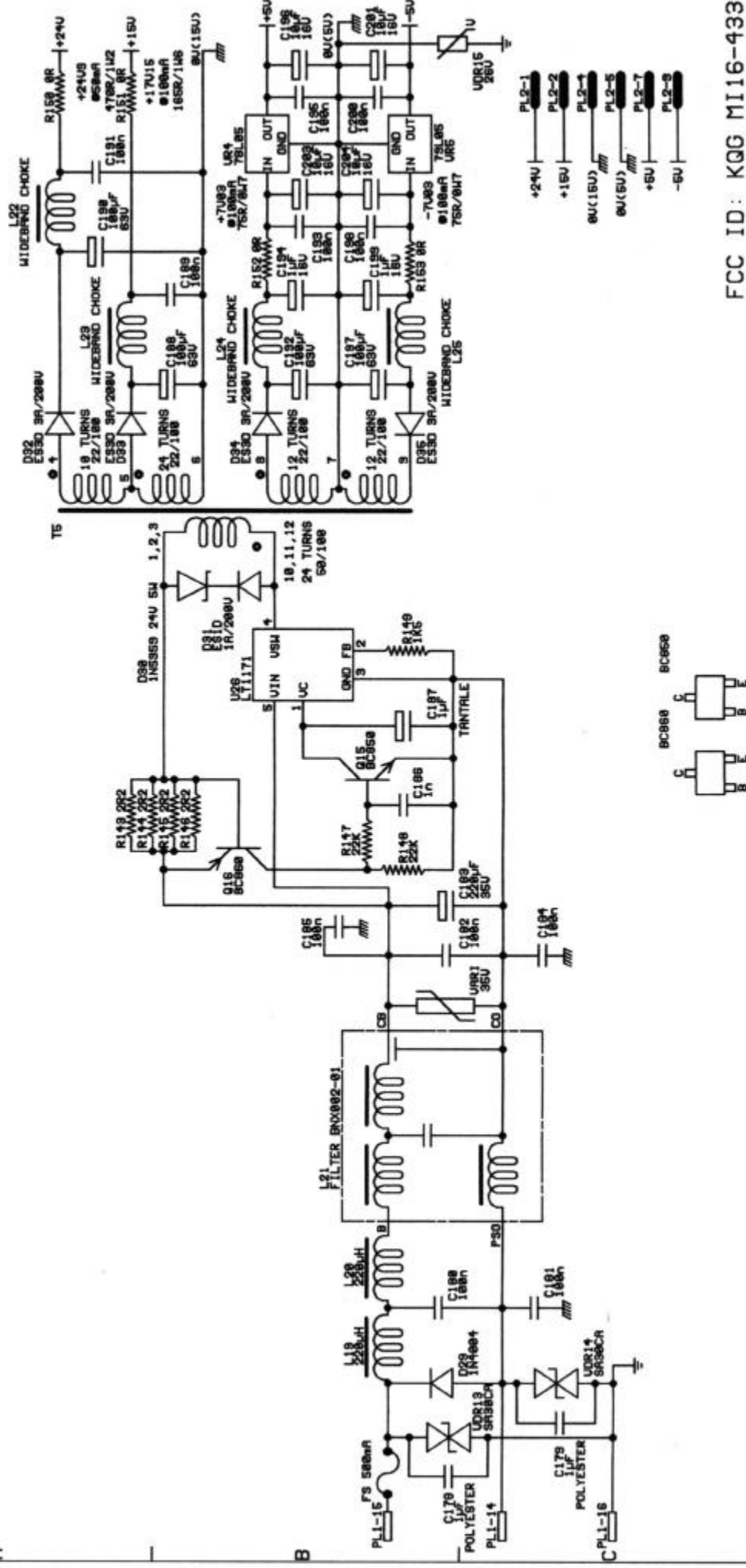
REnishaw
 New Mills
 Hotton Under Edge
 Glos. England

C 2137 0011 03 A

1 2 3 4

L2E4
 C206G
 UR5
 C05S
 Q1S
 L2S
 UR1S
 F4
 XTAL3

1 2 3 4



FCC ID: KQG MI16-433

SUPPLY	
FIRST ISSUE N°	DRIVING DATE
JM CHANCY	01 04 97
CHECKED	ISSUE DATE
16 of 16	29 03 02

MI16 LOGIC PWB

New millie
Hotton Under Edge
Glos. England

RENISHAW

C 2137 0011 03 A

MI16.16.SCH (Layer 1 offset 0.2.2.5)

THIS DRAWING IS THE PROPERTY OF RENISHAW METROLOGY LTD AND MAY NOT BE COPIED OR USED FOR ANY PURPOSE OTHER THAN THAT FOR WHICH IT IS SUPPLIED WITHOUT THE EXPRESS WRITTEN AUTHORITY OF RENISHAW METROLOGY LTD

TITLE