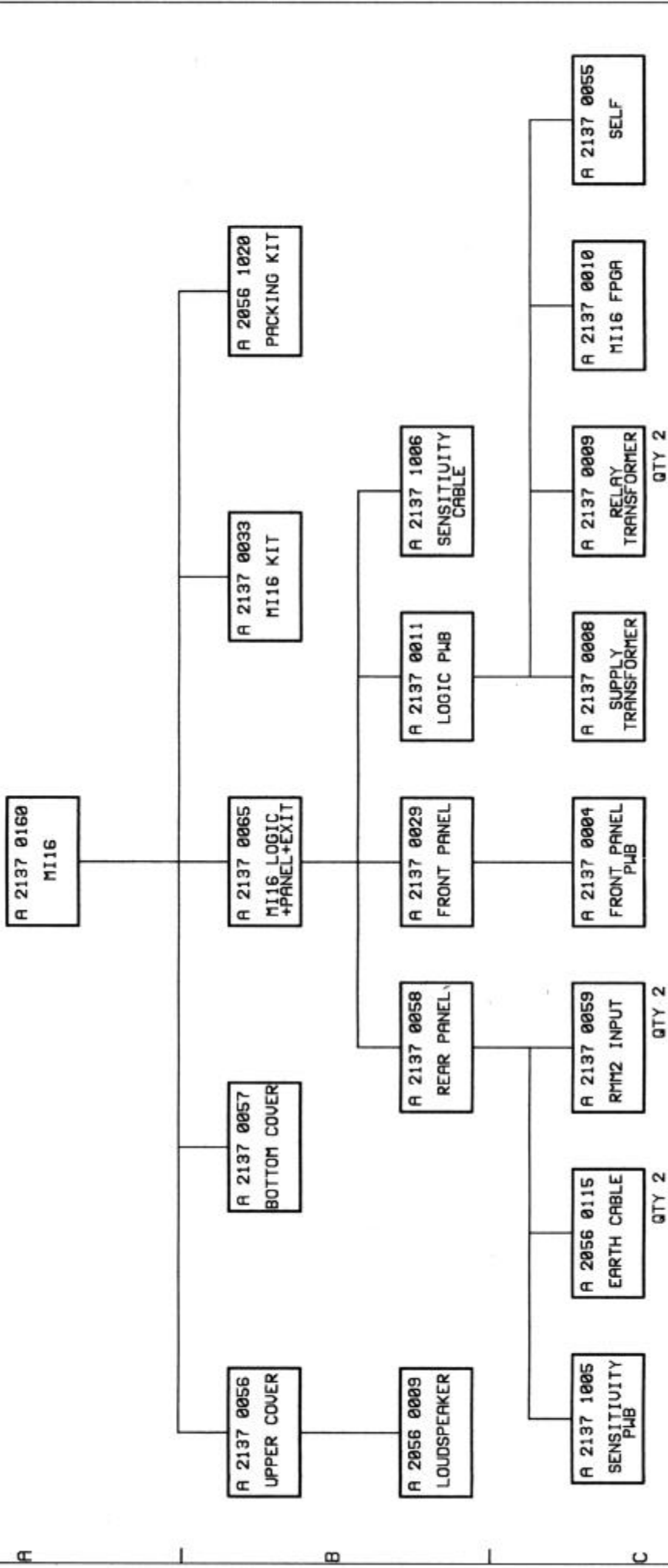


1 2 3 4



FCC ID: KQG MI16-433

FIRST ISSUE N°	DRWIN BY	ISSUE DATE
SHEET 1 of 1	JM CHANCY	04/02/1998
	CHECKED	ISSUE DATE 20/03/02

MI16

RENISHAW

New Mills
Hotton Under Edge
Glos. England

B 2137 0160 03 A

BRK-MI16.SCH (layer 1 offset 90' offset 0.1 0.0)

TITLE

THIS DRAWING IS THE PROPERTY OF RENISHAW METROLOGY LTD AND MAY NOT BE COPIED OR USED FOR ANY PURPOSE OTHER THAN THAT FOR WHICH IT IS SUPPLIED WITHOUT THE EXPRESS WRITTEN AUTHORITY OF RENISHAW METROLOGY LTD