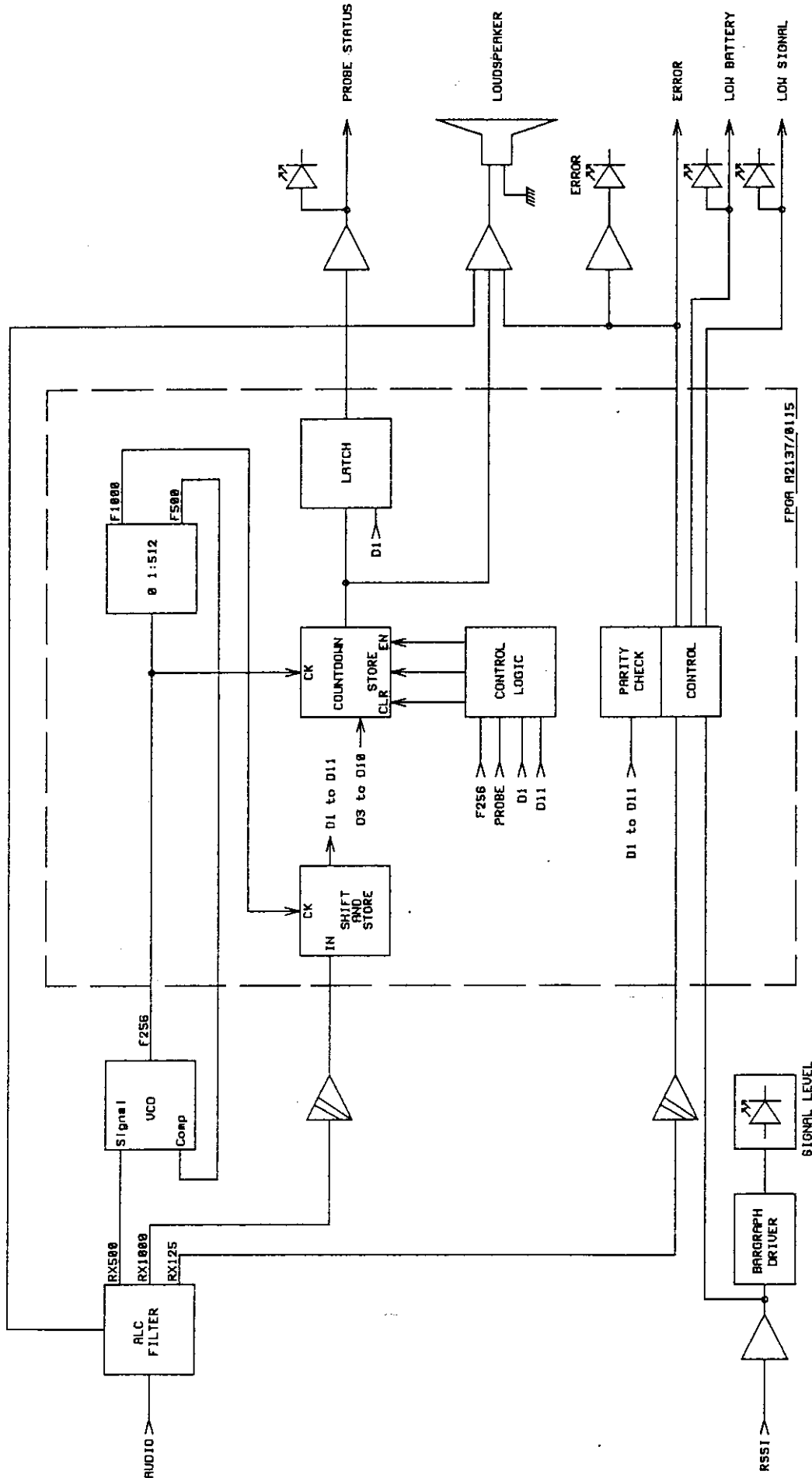


1 2 3 4



LOGIC BLOCKDIAGRAM
 FCC ID: KQG MI16-224

FIRST ISSUE N°	DRAWN BY	DRAWING DATE
SHEET	JM CHANCY	05 11 98
2 of 16	CHECKED	ISSUE DATE
		05 03 99

MI16 224 MHZ LOGIC PWB

New Mills
 Wotton Under Edge
 Glos. England

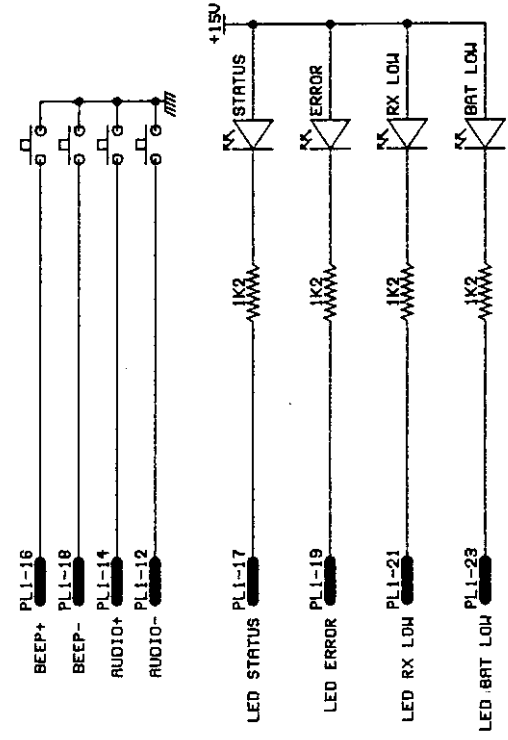
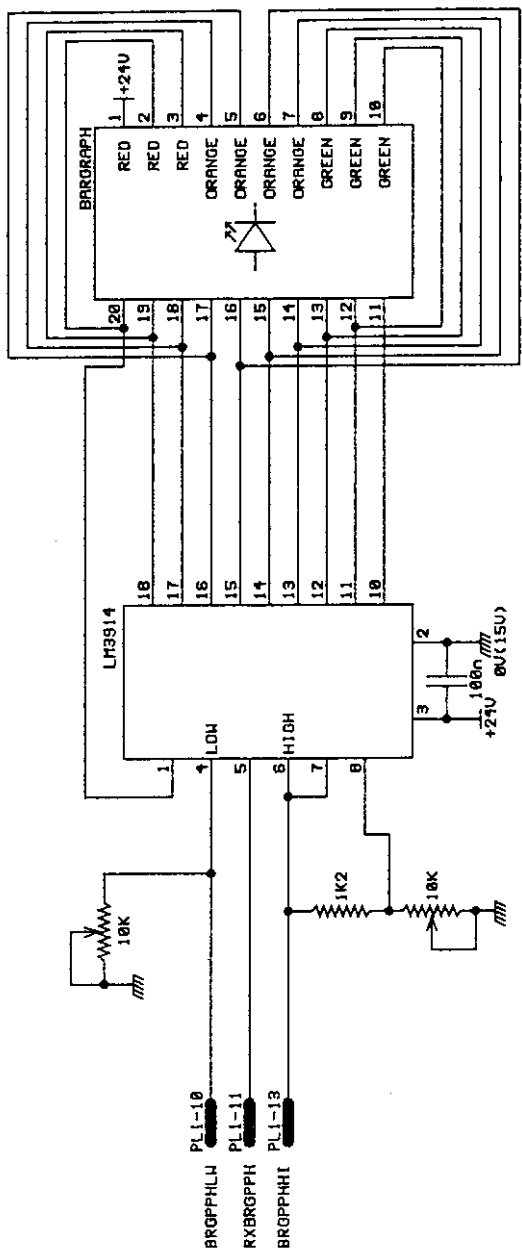
RENISHAW

C 2137 0092 01 A

LOWARX220-2.SCH (layer 1 98' A4 offset 0.1 0.3)

TITLE

DRAWING IS THE PROPERTY OF
 RENISHAW METROLOGY LTD AND MAY NOT BE
 REPRODUCED OR USED FOR ANY PURPOSE OTHER
 THAN THAT FOR WHICH IT IS SUPPLIED
 WITHOUT THE EXPRESS WRITTEN AUTHORITY
 OF RENISHAW METROLOGY LTD



STATUS LED - RX LEVEL
 FCC ID: KQG MI16-224

FIRST ISSUE N°	DRAWN BY	DRAWING DATE
3 of 3	JM CHANCY	01 04 97
SHEET	CHECKED	ISSUE DATE
		05 03 99

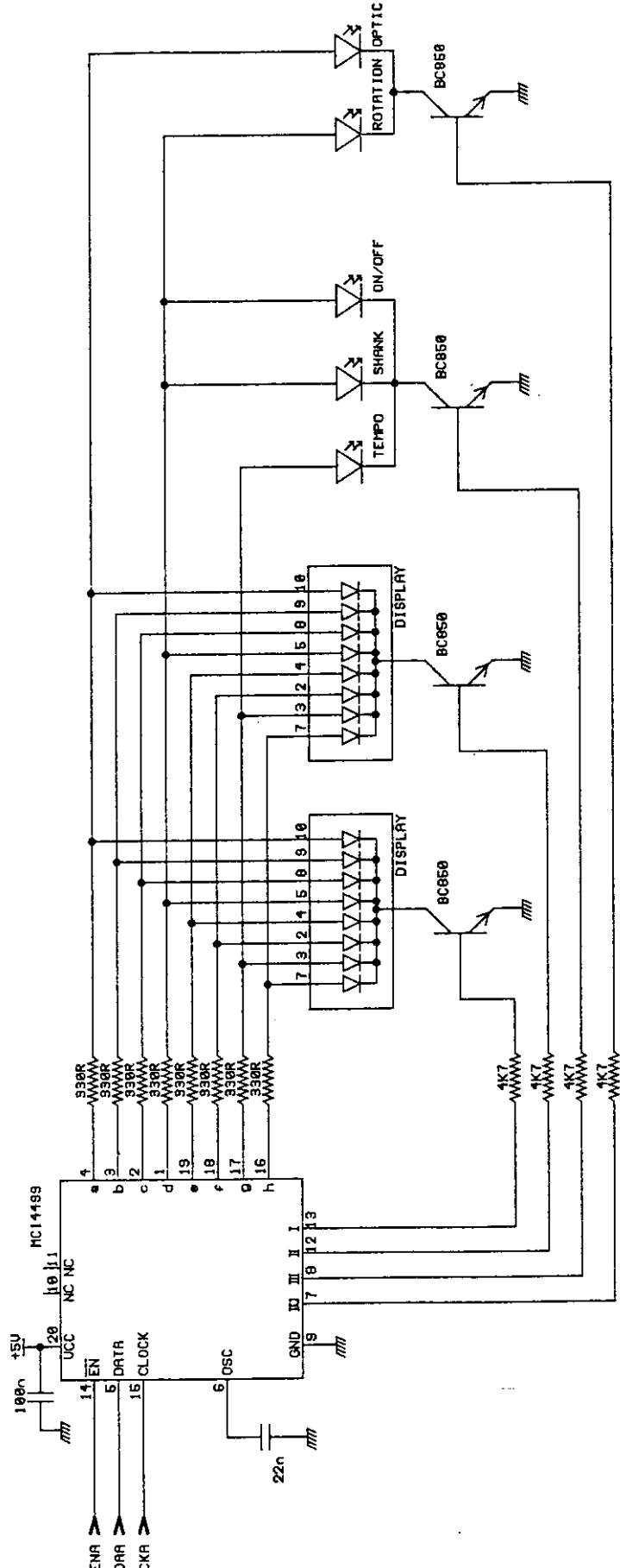
TITLE
MI16 FRONT PANEL

RENISHAW
 New Mills
 Wotton Under Edge
 Glos. England

C 2137 0004 01 A

33.SCH (layer 1 90' A4 offset 0.1 0.3)

THIS DRAWING IS THE PROPERTY OF RENISHAW METROLOGY LTD AND MAY NOT BE REPRODUCED OR USED FOR ANY PURPOSE OTHER THAN THAT FOR WHICH IT IS SUPPLIED WITHOUT THE EXPRESS WRITTEN AUTHORITY OF RENISHAW METROLOGY LTD



PROGRAMMING LED - DISPLAY
 FCC ID: KQG MI16-224

FIRST ISSUE N°	DRAWN BY	DRAWING DATE
SHEET	JM CHANCY	01 04 97
2 of 3	CHECKED	ISSUE DATE
		05 03 99

TITLE
MI16 FRONT PANEL

RENISHAW

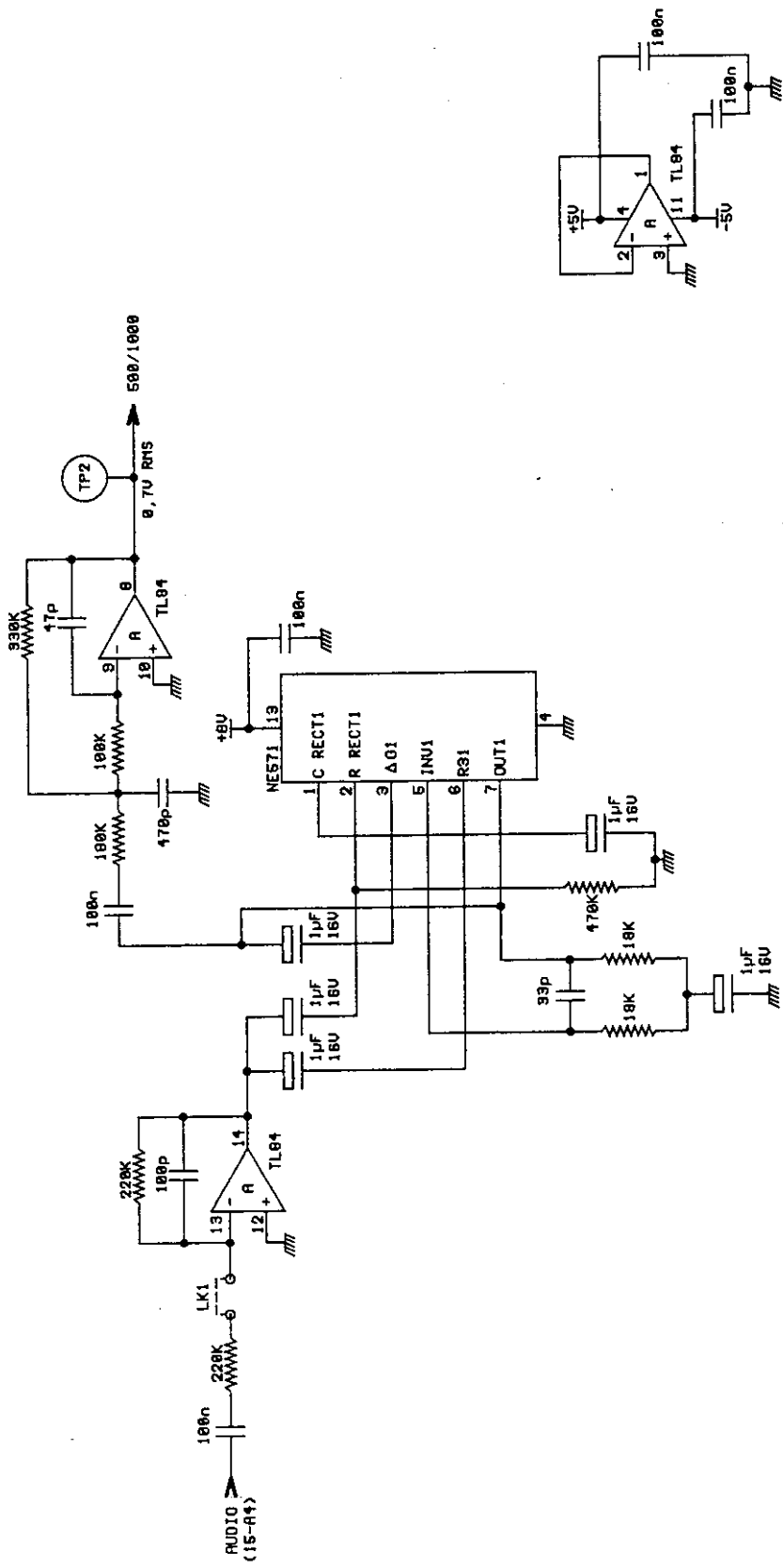
New Mills
 Hotton Under Edge
 Glos. England

C 2137 0004 01 A

2 SCH (layer 1 90' A4 offset 0.1 0.3)

DRAWING IS THE PROPERTY OF
 RENISHAW METROLOGY LTD AND MAY NOT BE
 REPRODUCED OR USED FOR ANY PURPOSE OTHER
 THAN THAT FOR WHICH IT IS SUPPLIED
 WITHOUT THE EXPRESS WRITTEN AUTHORITY
 OF RENISHAW METROLOGY LTD

1 2 3 4



ALC/FILTER
 FCC ID: KQG MI16-224
 FIRST ISSUE N° 3 of 16
 DRAWING DATE 05 11 98
 CHECKED JM CHANCY
 SHEET 3 of 16

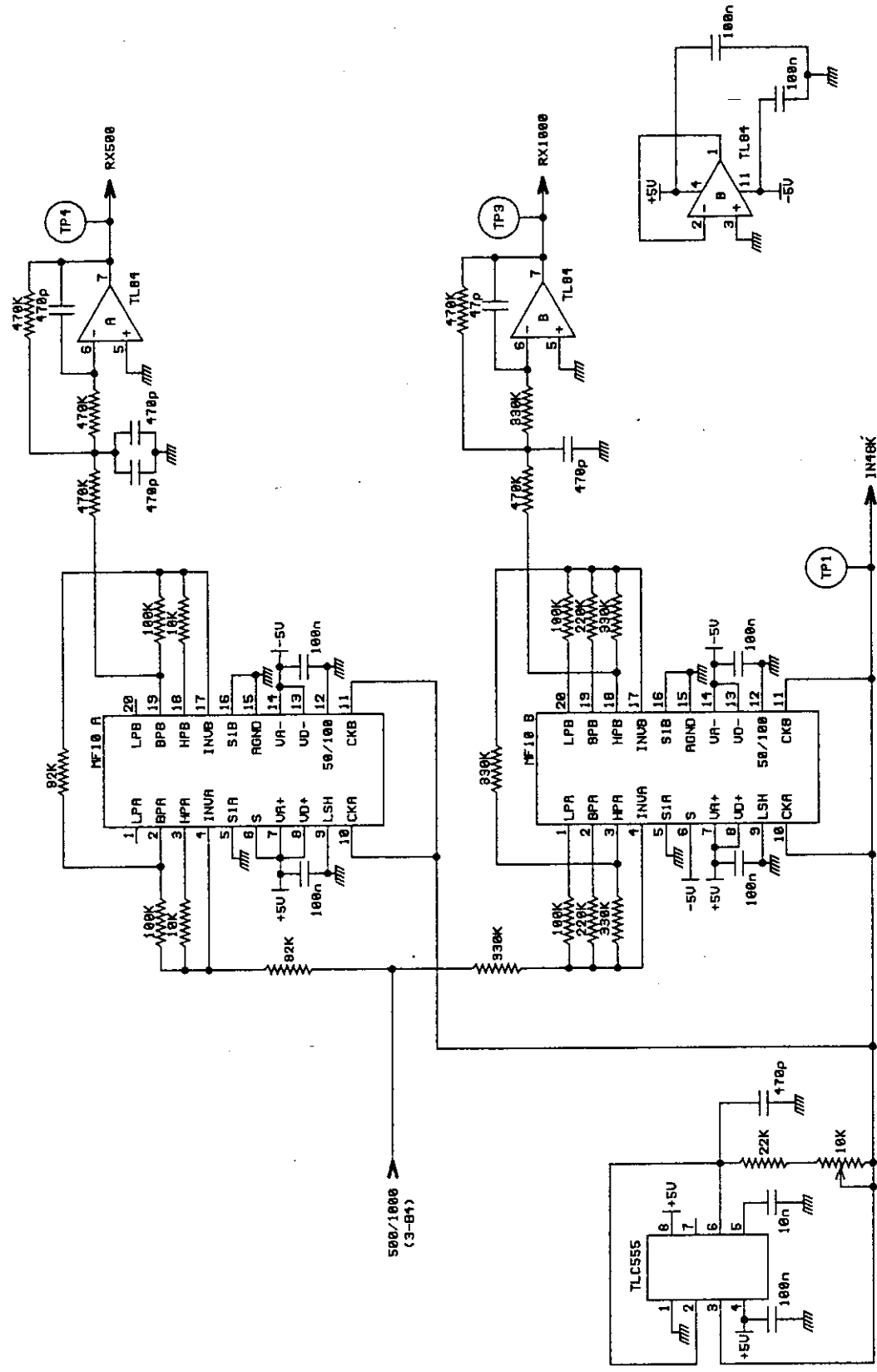
MI16 224 MHZ LOGIC PWB
 TITLE

DRAWING IS THE PROPERTY OF
 RENISHAW METROLOGY LTD AND MAY NOT BE
 REPRODUCED OR USED FOR ANY PURPOSE OTHER
 THAN THAT FOR WHICH IT IS SUPPLIED
 WITHOUT THE EXPRESS WRITTEN AUTHORITY
 OF RENISHAW METROLOGY LTD

RENISHAW
 New Mills
 Wotton Under Edge
 Glos. England

C 2137 0092 01 A

1 2 3 4



FCC ID: KQG MI16-224

FIRST ISSUE N°	DRAIN BY	DRAWING DATE
SHEET	JM CHANCY	05 11 98
4 of 16	CHECKED	ISSUE DATE
		05 03 99

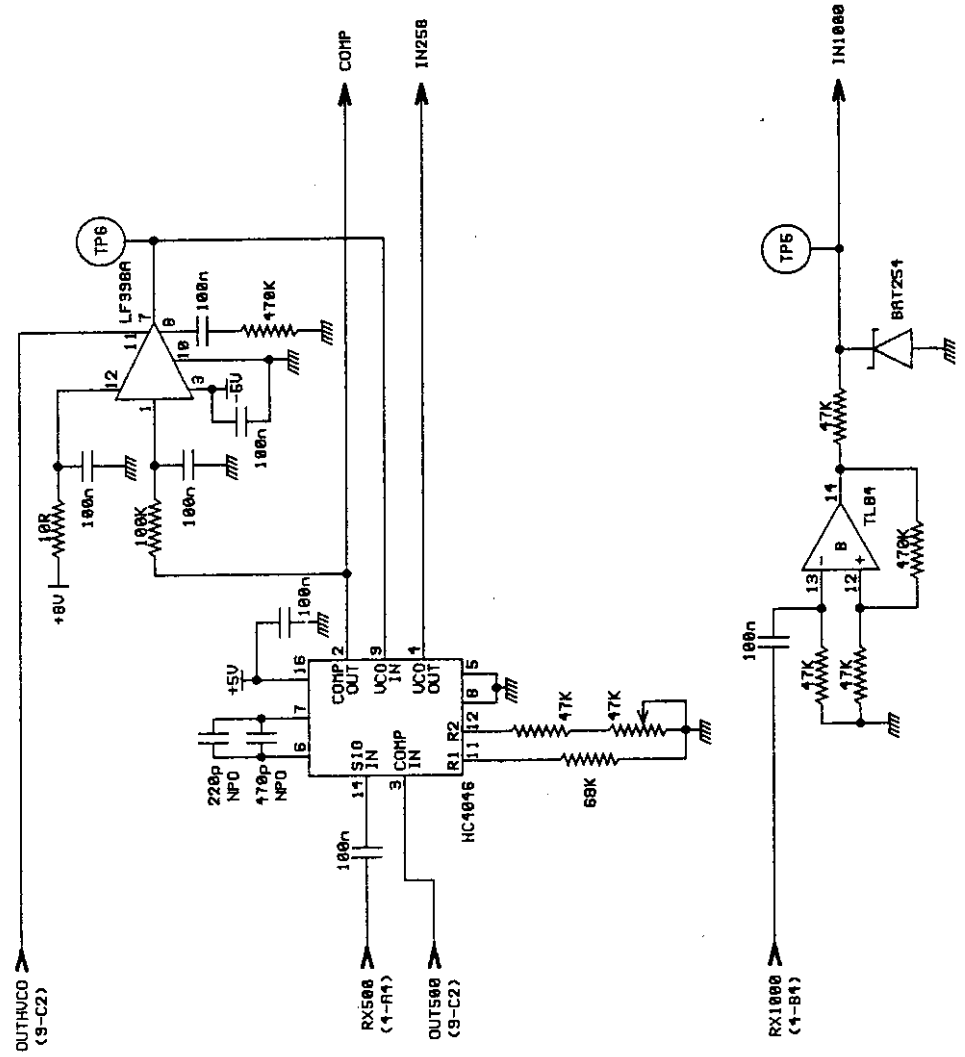
MI16 224 MHZ LOGIC PWB

THIS DRAWING IS THE PROPERTY OF RENISHAW METROLOGY LTD AND MAY NOT BE REPRODUCED OR USED FOR ANY PURPOSE OTHER THAN THAT FOR WHICH IT IS SUPPLIED WITHOUT THE EXPRESS WRITTEN AUTHORITY OF RENISHAW METROLOGY LTD

RENISHAW
New Mills
Wotton Under Edge
Glos. England

C 2137 0092 01 A

1 2 3 4



RX VCO

FCC ID: KQG MI16-224

FIRST ISSUE N°	DRAWN BY	DRAWING DATE
5 of 16	JM CHANCY	05 11 98
	CHECKED	ISSUE DATE
		05 03 99

TITLE

MI16 224 MHZ LOGIC PWB

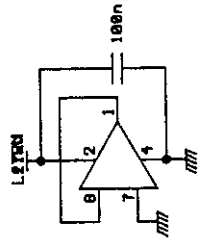
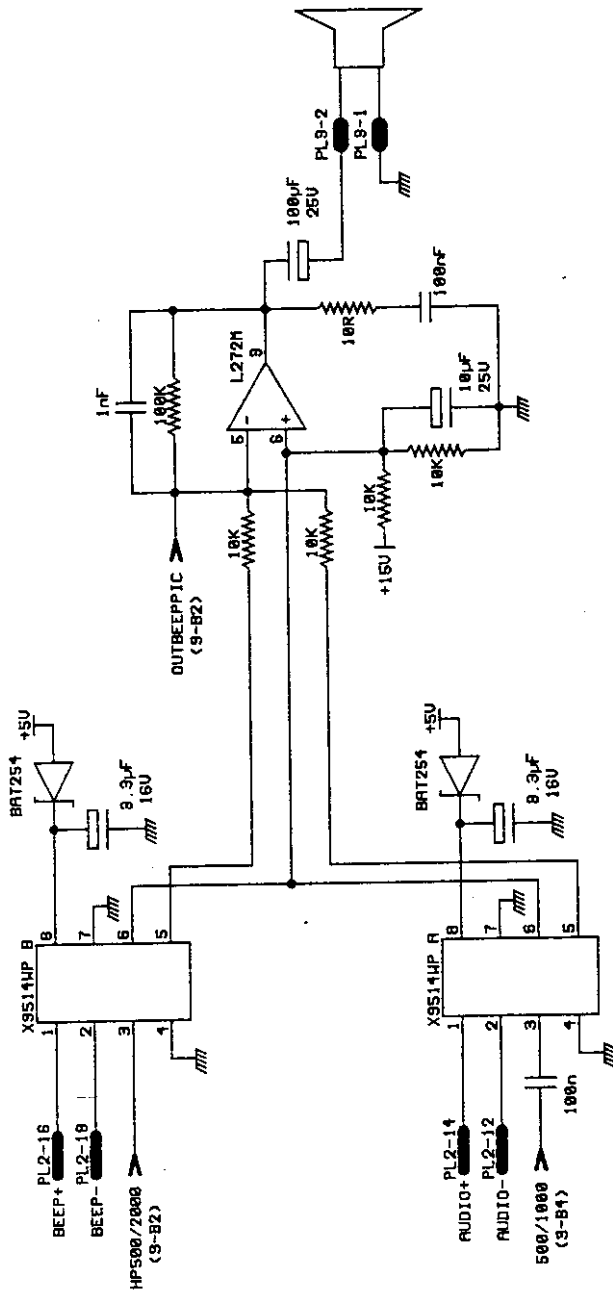
LOW\RX220-5.SCH (layer 1 98* R4 offset 0.1 0.3)

DRAWING IS THE PROPERTY OF
RENISHAW METROLOGY LTD AND MAY NOT BE
REPRODUCED OR USED FOR ANY PURPOSE OTHER
THAN THAT FOR WHICH IT IS SUPPLIED
WITHOUT THE EXPRESS WRITTEN AUTHORITY
OF RENISHAW METROLOGY LTD

RENISHAW
New Mills
Wotton Under Edge
Glos. England

C 2137 0092 01 A

1 2 3 4



LOUDSPEAKER

FCC ID: KQG MI16-224

FIRST ISSUE N°	DRAWN BY	DRAWING DATE
7 of 16	JM CHANCY	05 11 98
SHEET	CHECKED	ISSUE DATE
		05 03 99

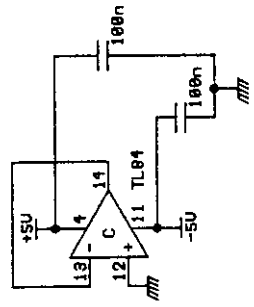
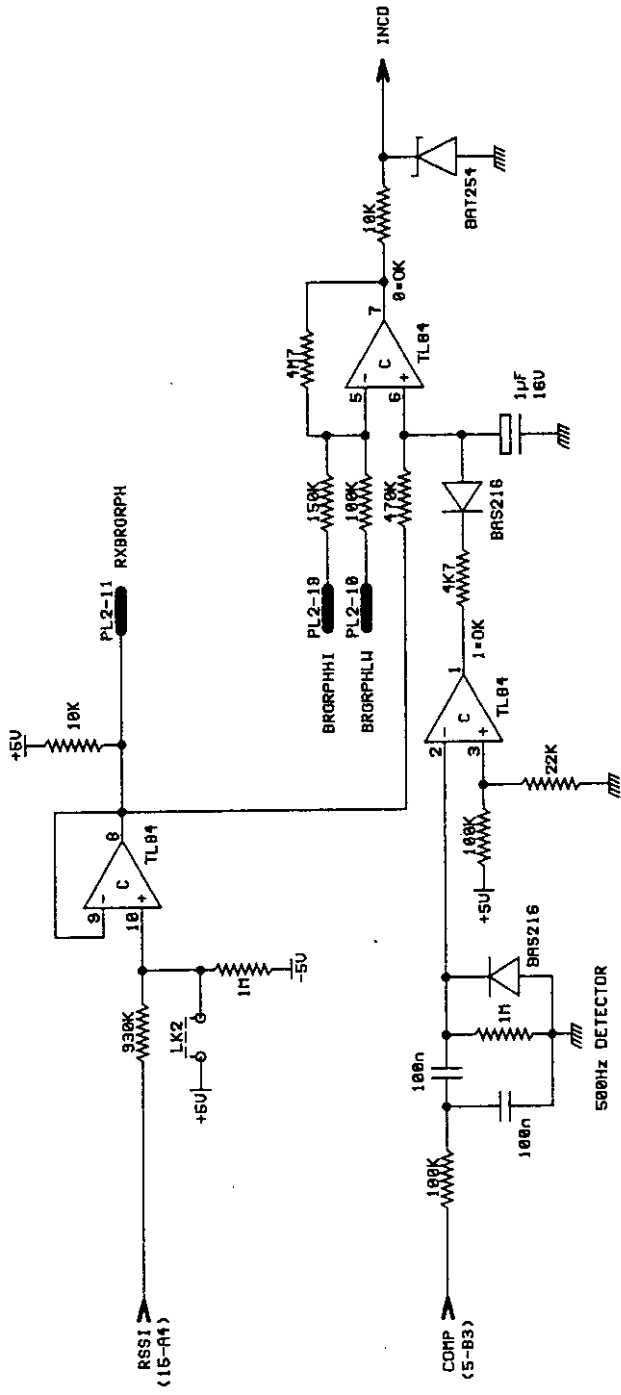
TITLE MI16 224 MHZ LOGIC PWB

REVISIONS: 1.0 (layer 1 98' R4 offset 0.1 0.3)

RENISHAW New Mills, Wotton Under Edge, Glos., England C 2137 0092 01 A

THIS DRAWING IS THE PROPERTY OF RENISHAW METROLOGY LTD AND MAY NOT BE REPRODUCED OR USED FOR ANY PURPOSE OTHER THAN THAT FOR WHICH IT IS SUPPLIED WITHOUT THE EXPRESS WRITTEN AUTHORITY OF RENISHAW METROLOGY LTD

1 2 3 4



RX SIGNAL LEVEL
FCC ID: KQG MI16-224

FIRST ISSUE N°	DRAWN BY	DRAWING DATE
8 of 16	JM CHANCY	05 11 98
SHEET	CHECKED	ISSUE DATE
		05 03 99

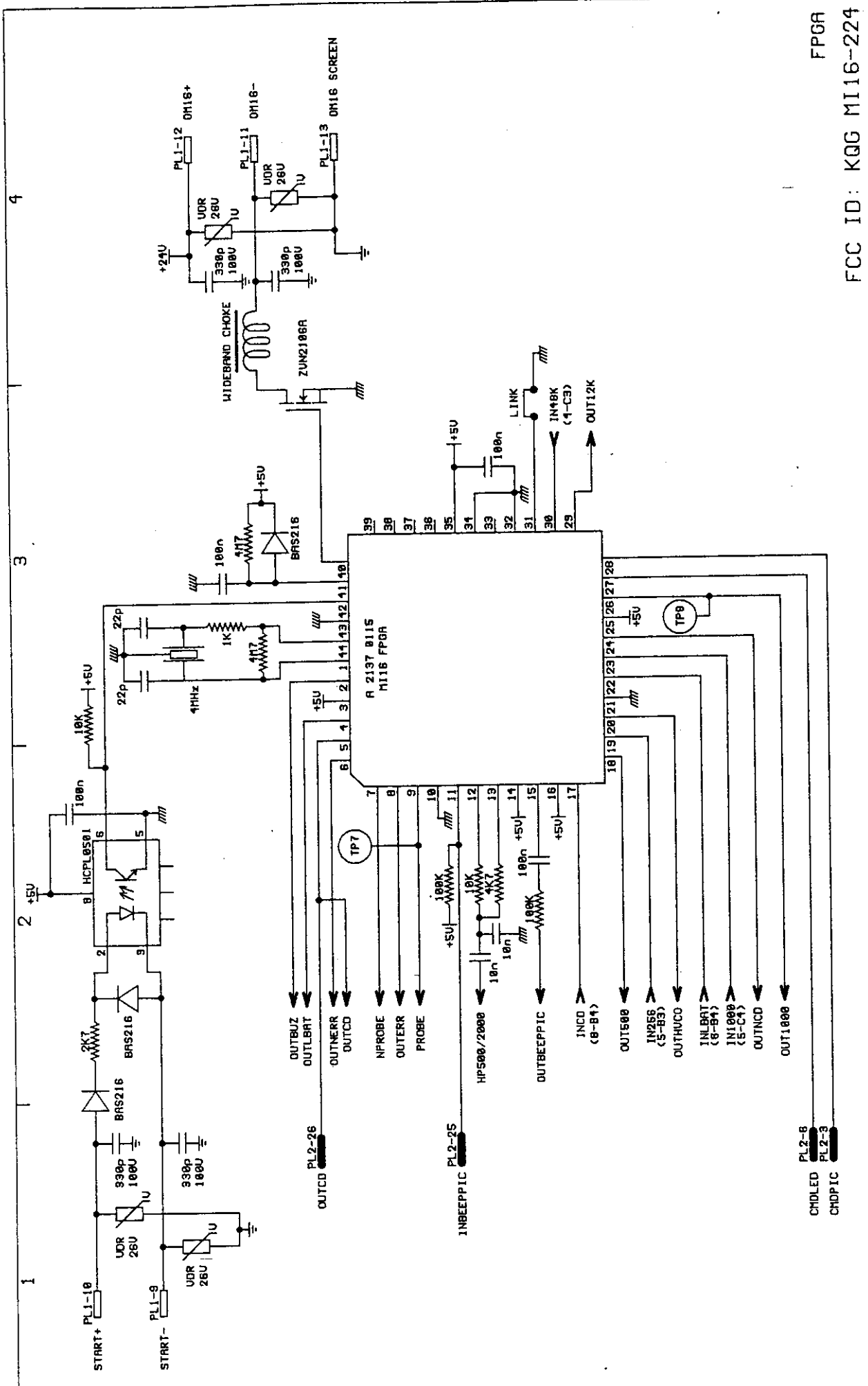
TITLE
MI16 224 MHZ LOGIC PWB

REINISHAW
New Mills
Watton Under Edge
Glos. England

REINISHAW
C 2137 0092 01 A

01010UNRY228-0 SCH (1euer 1 98' A4 offset 0.1 0.3)

THIS DRAWING IS THE PROPERTY OF
REINISHAW METROLOGY LTD AND MAY NOT BE
REPRODUCED OR USED FOR ANY PURPOSE OTHER
THAN THAT FOR WHICH IT IS SUPPLIED
WITHOUT THE EXPRESS WRITTEN AUTHORITY
OF REINISHAW METROLOGY LTD



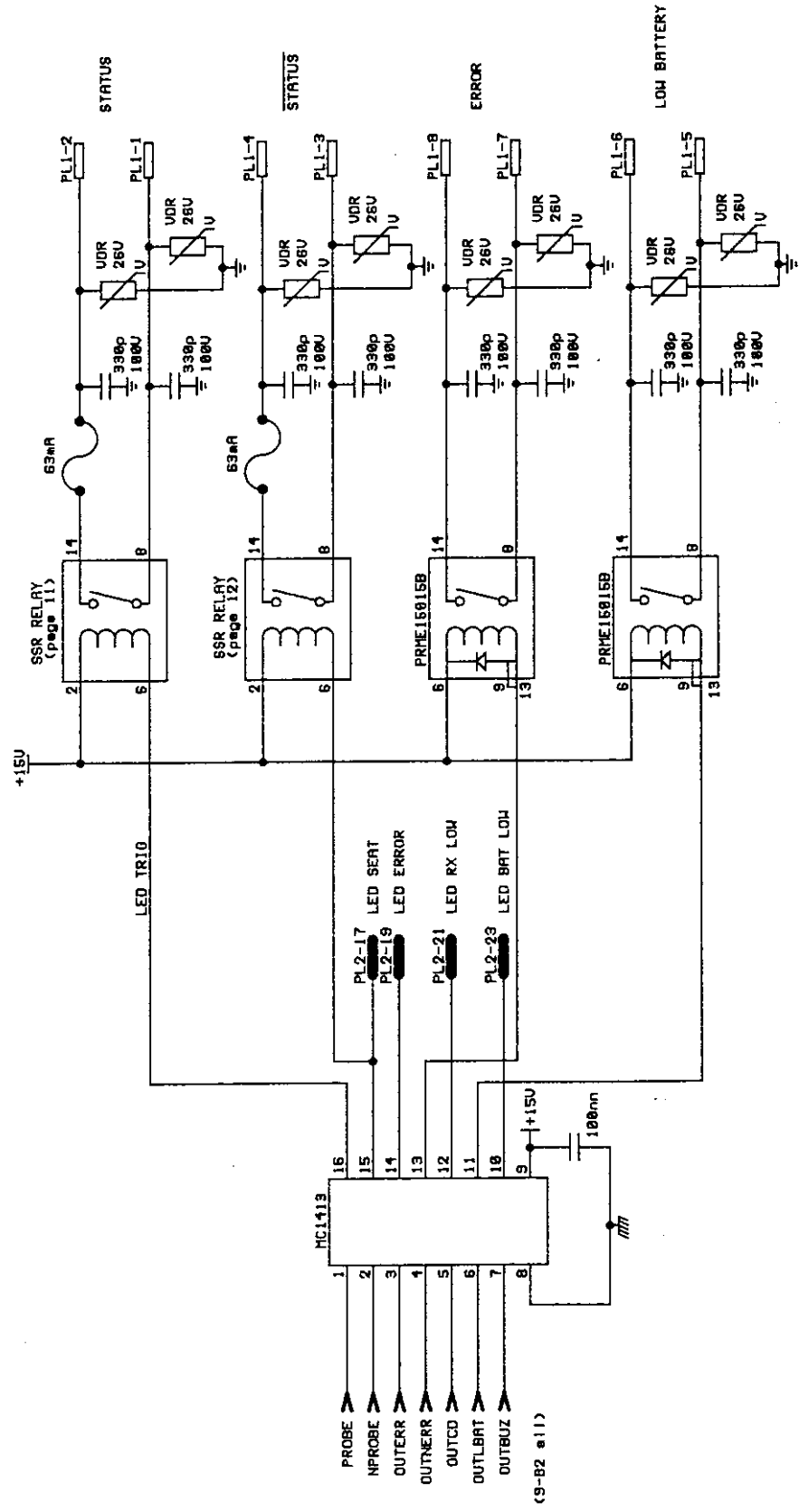
TITLE MI16 224 MHZ LOGIC PWB		FIRST ISSUE N° 9 of 16		DRAINING DATE 05 11 98	
RENEISHAW New Mills Watton Under Edge Glos. England		DRAM BY JM CHANCY		ISSUE DATE 05 03 99	
C 2137 0092 01 A		SHEET 9 of 16		CHECKED	

FPGA

FCC ID: KQG MI16-224

LDUNRX220-9.SCH (Layer 1 90' R4 offset 0.1 0.3)

THIS DRAWING IS THE PROPERTY OF RENEISHAW METROLOGY LTD AND MAY NOT BE REPRODUCED OR USED FOR ANY PURPOSE OTHER THAN THAT FOR WHICH IT IS SUPPLIED WITHOUT THE EXPRESS WRITTEN AUTHORITY OF RENEISHAW METROLOGY LTD



LED/RELAY DRIVER

FCC ID: KQG MI16-224

FIRST ISSUE N°	DRAWN BY	DRAWING DATE
10 of 16	JM CHANCY	05 11 98
SHEET	CHECKED	ISSUE DATE
		05 03 99

TITLE
 MI16 224 MHZ LOGIC PWB

LOLOUARX220-10.SCH (layer 1 98* A4 offset 0.1 0.3)

THIS DRAWING IS THE PROPERTY OF RENISHAW METROLOGY LTD AND MAY NOT BE REPRODUCED OR USED FOR ANY PURPOSE OTHER THAN THAT FOR WHICH IT IS SUPPLIED WITHOUT THE EXPRESS WRITTEN AUTHORITY OF RENISHAW METROLOGY LTD

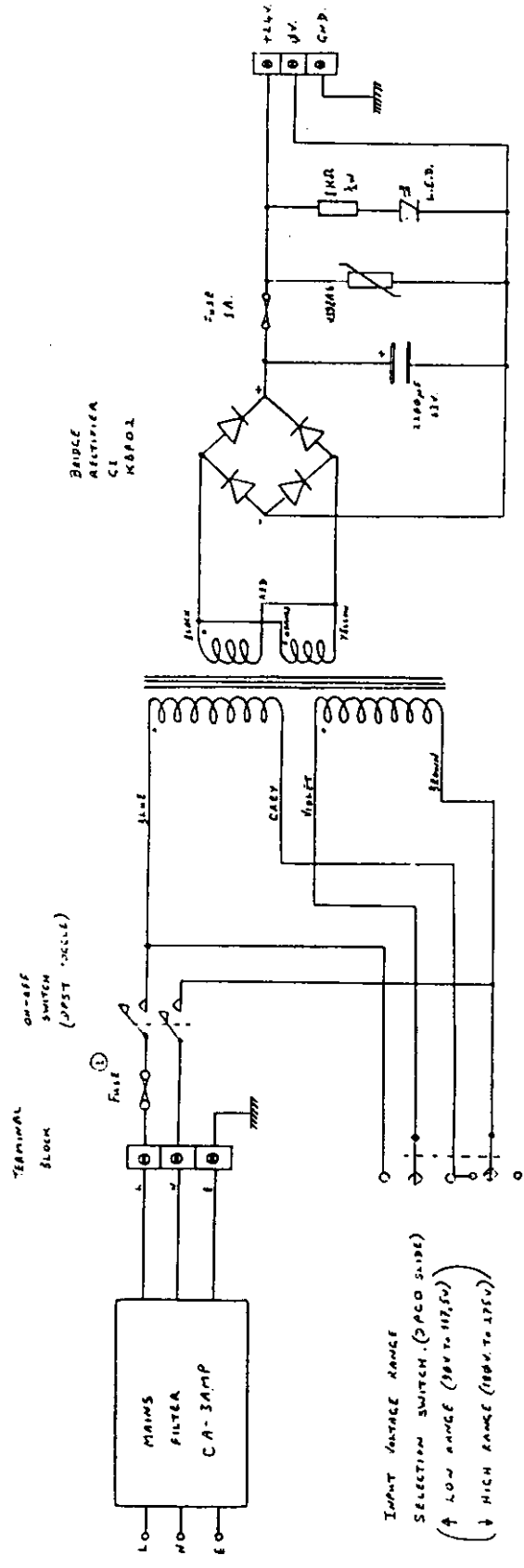
New Mills
 Wotton Under Edge
 Glos. England

RENISHAW

C 2137 0092 01 A

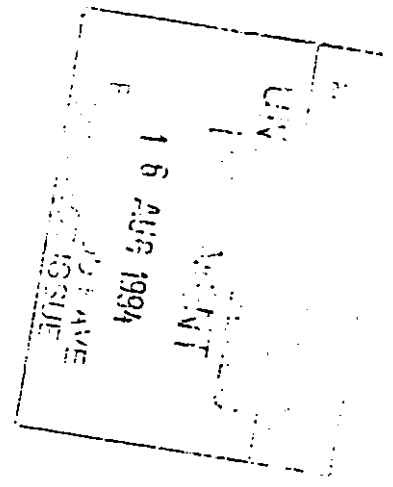
MF

41 20011-1



30VA.
AVOL-LIMBERG
TYPE 40/2769
TOROIDAL
TRANSFORMER

NOTE 1. THIS FUSE IS RATED AS FOLLOWS.
(a) FOR HIGH RANGE INPUT VOLTAGE 16A-A
(b) FOR LOW RANGE INPUT VOLTAGE 30A-A



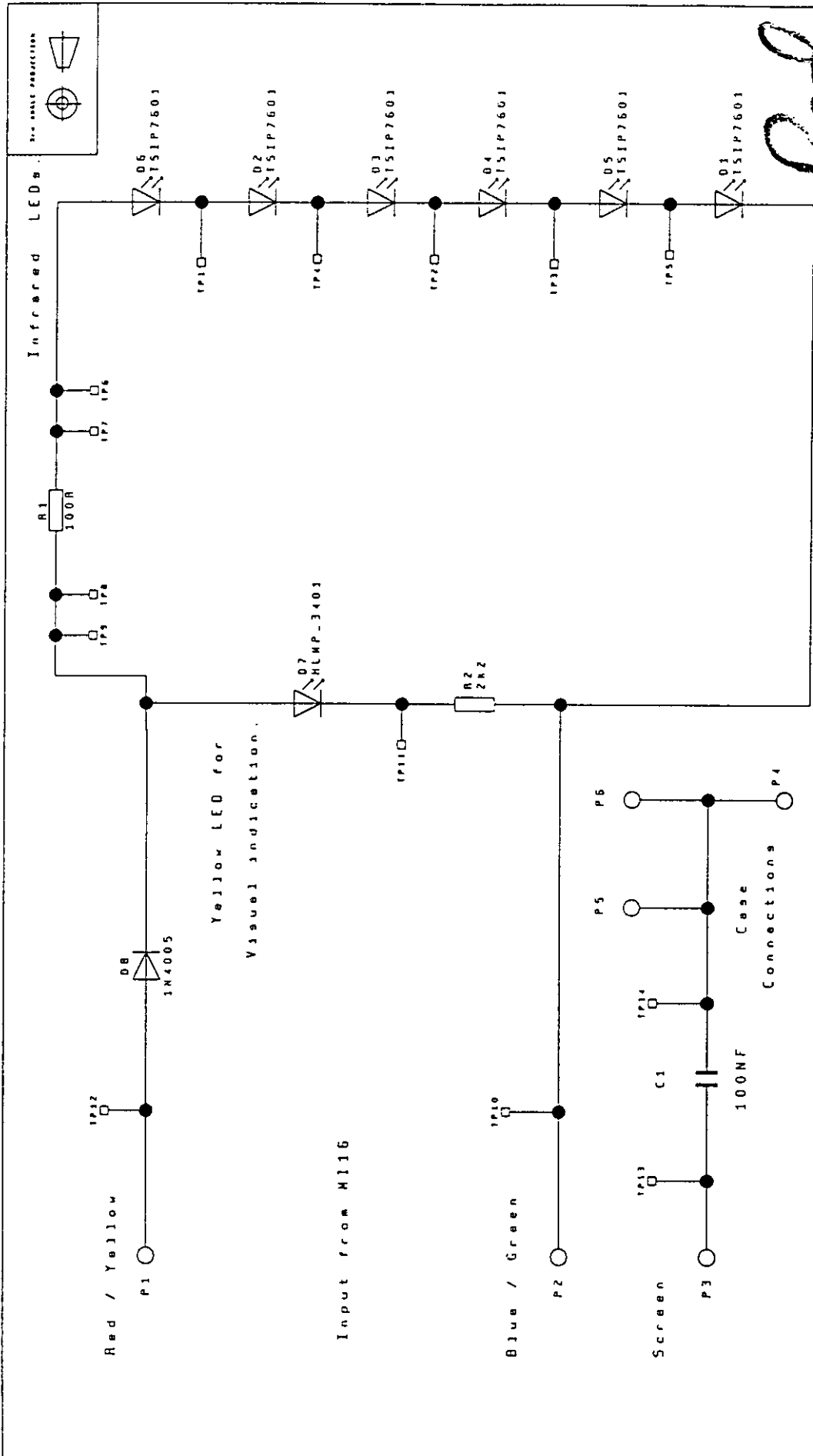
FCC ID: KQG MI16-224

ISSUE	ALTERATION	DATE	APPROVED
DESCRIPTION		DATE	APPROVAL
1A., 24V. nom. POWER SUPPLY UNIT		14/11/87	
MATERIAL		CHECKED	MODIFIED
PSU 3			
ASSEMBLY		SHEET	DESIGN
Gloucester Street Wotton-under-Edge		1 OF 1	
Glos. England.		DRAWING No	ISSUE
		4/2033/0217	A
		SCALE	

RENISHAW

Gloucester Street Wotton-under-Edge Glos. England.

3rd ANGLE PROJECTION
ALL DIMENSIONS IN MILLIMETRES
TOLERANCES ± 0.10 ANGLES ± 0° 30'
REMOVE SHARP CORNERS & BURRS



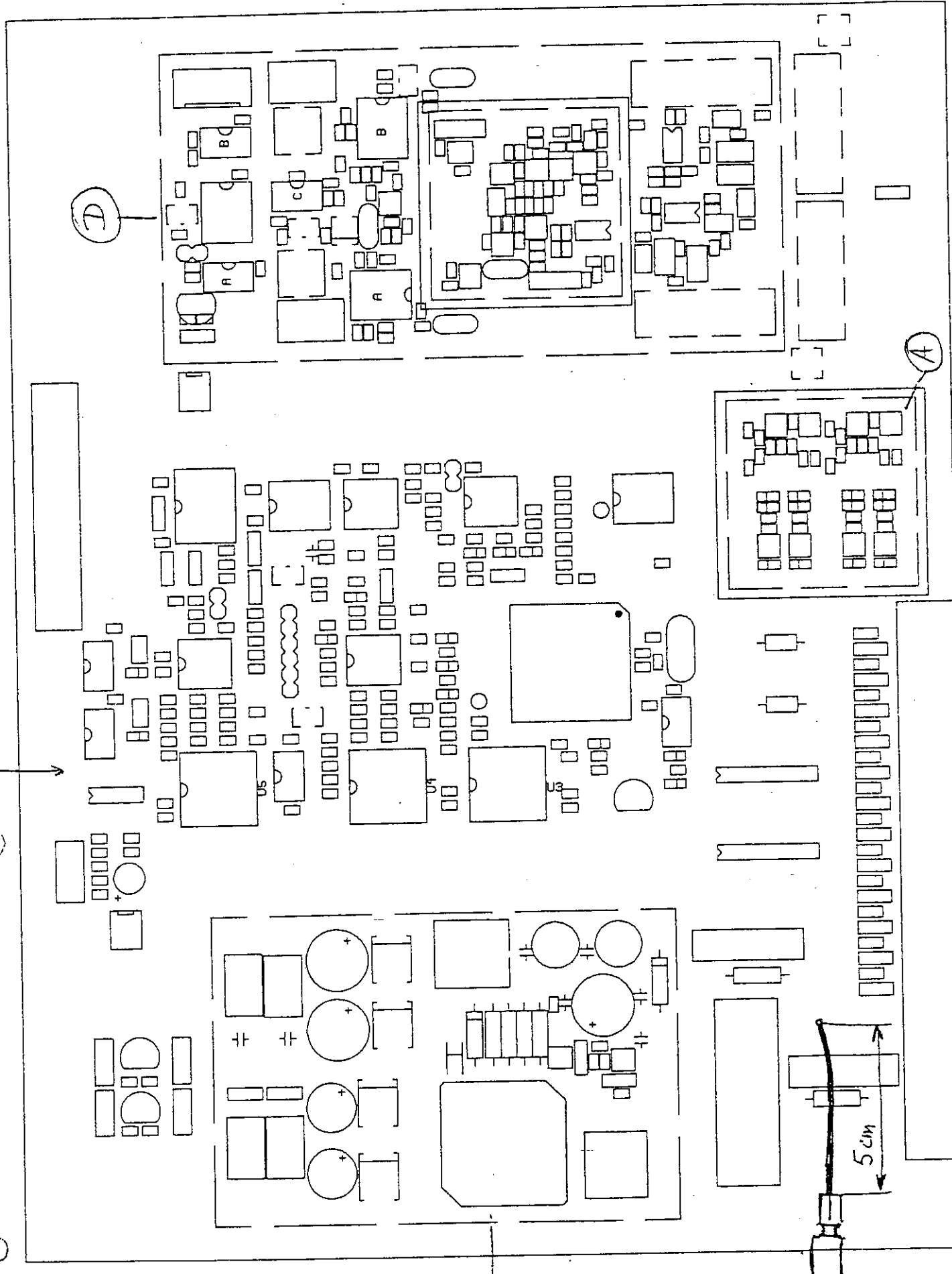
FCC ID: K06-M116-224

Red

SEE PROCESS STANDARD P50010 FOR DEFINITION OF SYMBOL.		TITLE	
UNLESS DIMENSIONS SPECIFIED, ALL DIMENSIONS IN MILLIMETERS FOR 0.25 ANGLES ±2° REMOVE SHARP CORNERS. CHAMFER OR RO 0.5 MAX 3/4 INTERNAL RADIUS 0.5 MAX. SURFACE TEXTURE: 3.2 DRAGGING PRACTICE TO BS 300.		0M16 circuit (Optical turn on for the Redco Probe)	
THIS DRAWING IS THE PROPERTY OF RENISHAW PLC. METROLOGY DIVISION. AND MAY NOT BE COPIED OR USED FOR ANY PURPOSE OTHER THAN THAT FOR WHICH IT IS SUPPLIED. WITHOUT THE EXPRESS WRITTEN AUTHORITY OF RENISHAW PLC.		REVISION NO. 1	
		SHEET 1 OF 1	
		ISSUE DATE 10.3.98	
		ISSUE BY CEC/CD	
		DESIGN BY D C	
		DATE 07/08/95	
RENISHAW®		SCALE	
Renishaw New Mills, Watlington, Oxford, Eng.		NTS	
		C-2137-0540-01-B	

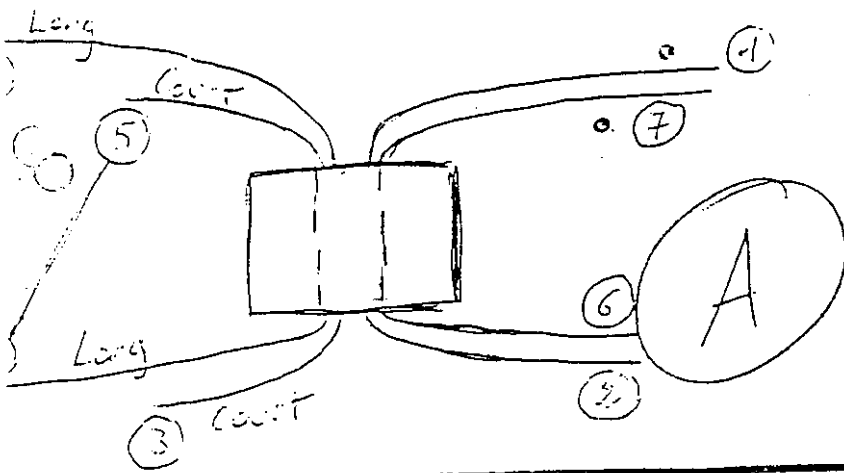
KQ67116-224

NOI 11. PLINZIU
A or C à ceblu



115
1 0197 m92

5 cm

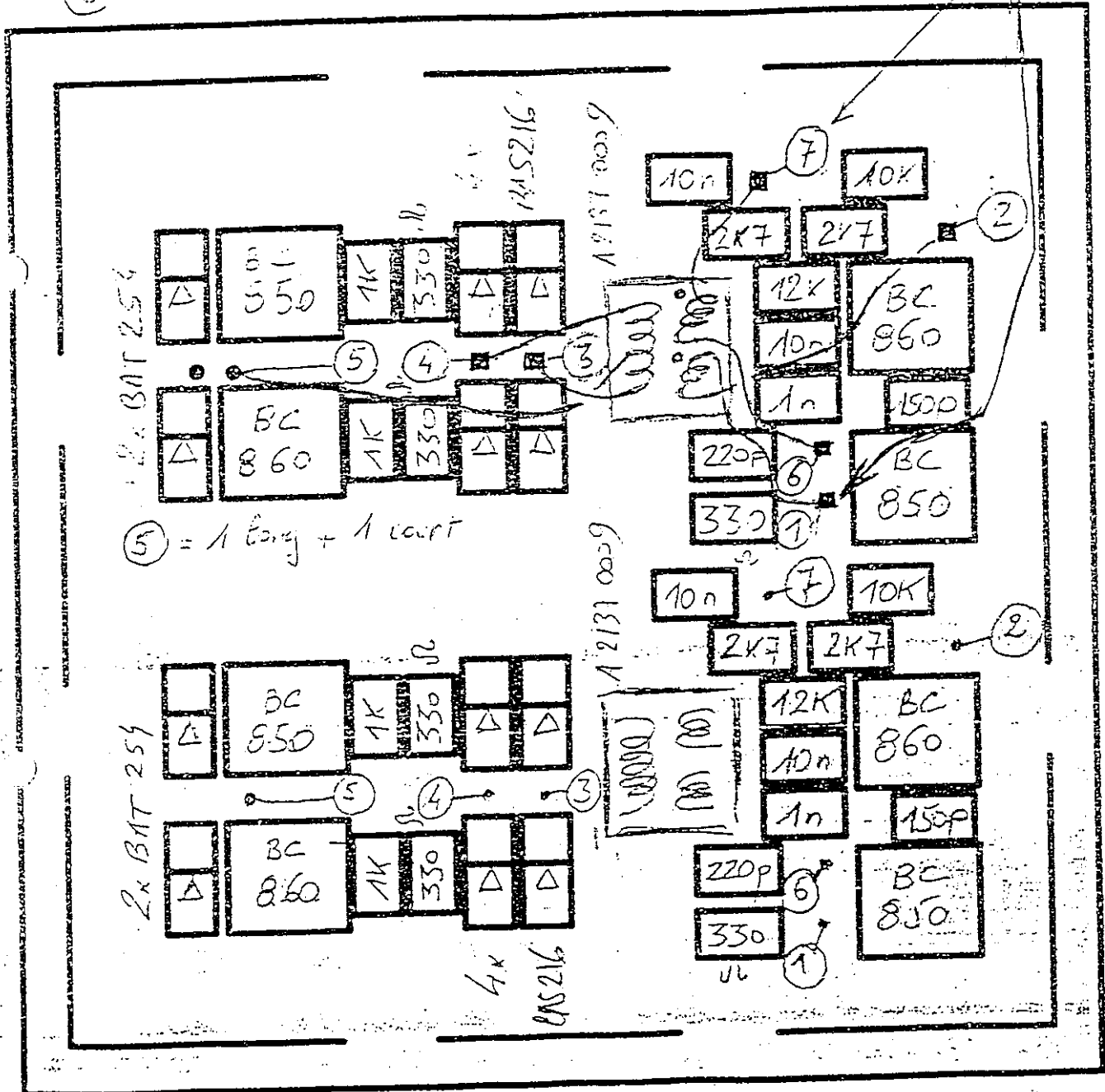


DETAIL
TRANSFO

ATTENTION: FILS
A LOUDER SUR
LES PASTILLES
CARREES

KQG-ND16-224

↓
Depart
d'enroulement



⑤ = 1 long + 1 court

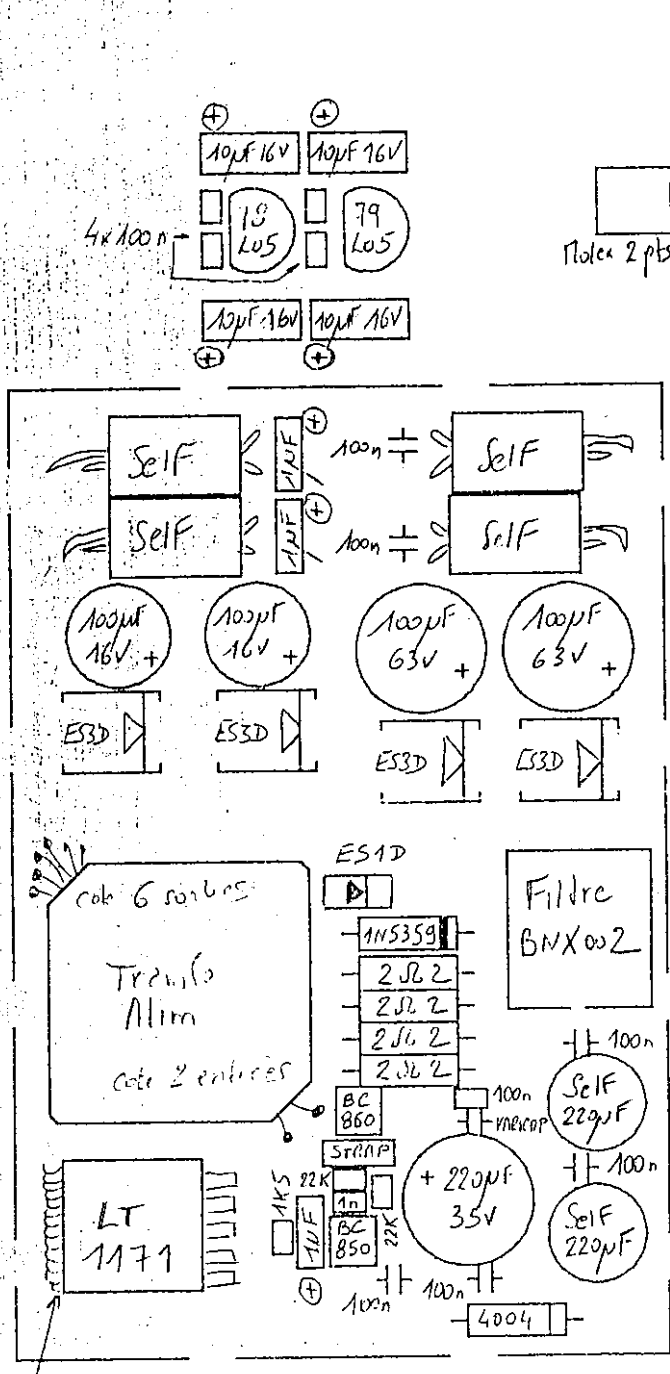
NOTA: TRANSFO COLLES
A L'ARMADITE
2 MONTAGES IDENTIQUES

A 2137 0092

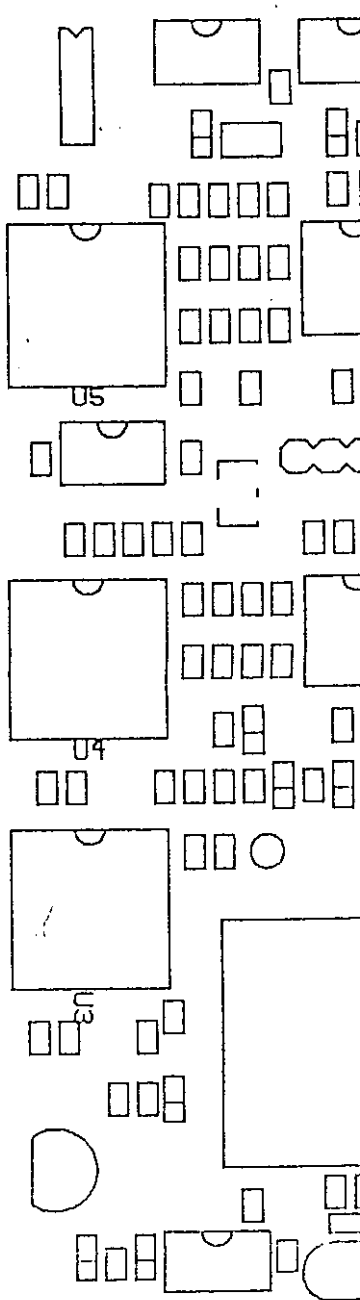
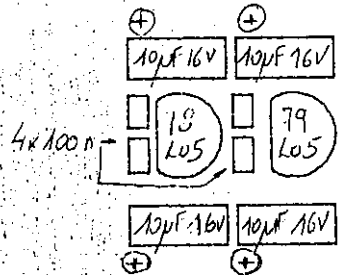
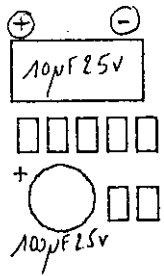
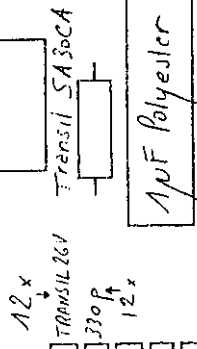
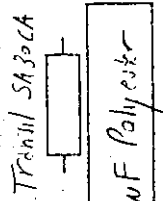
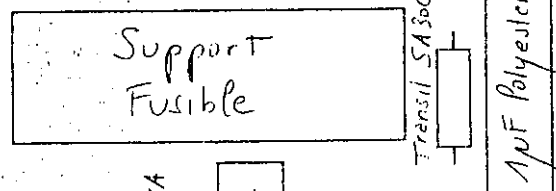
(C)

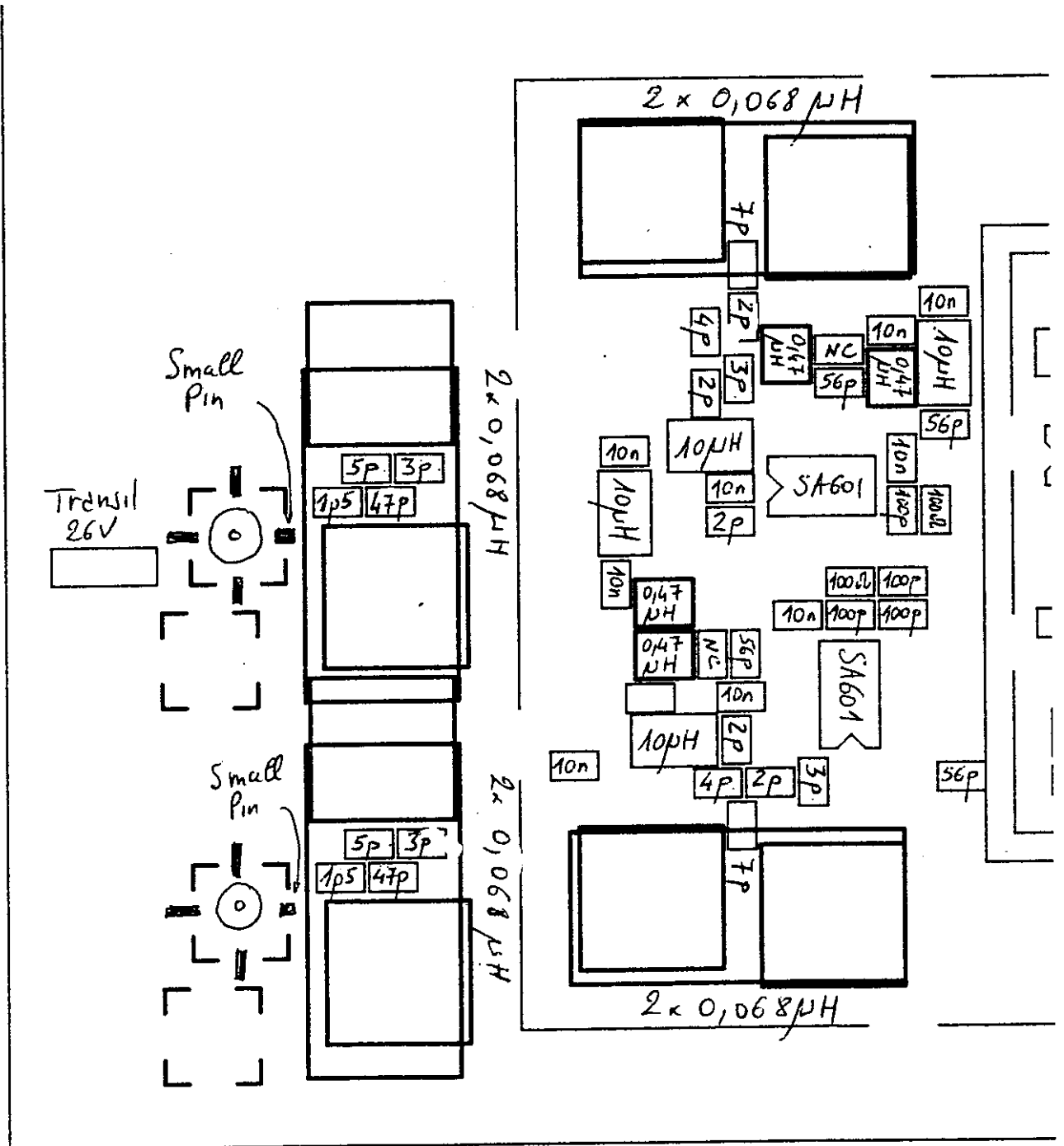
A2137 0092 4/5

KQG-MI16-224



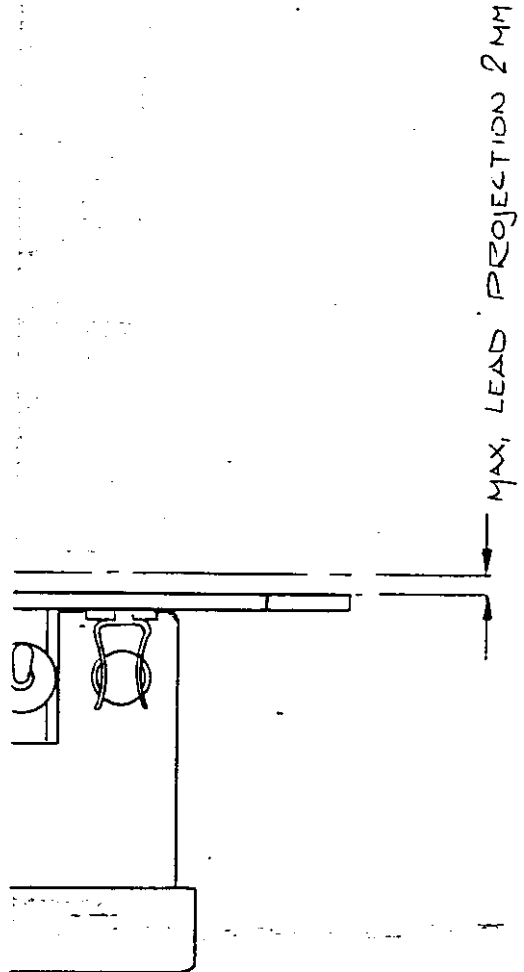
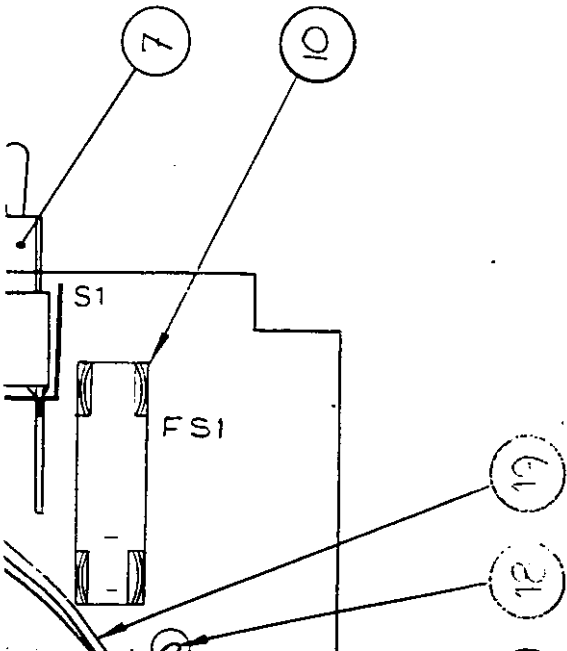
Soudure





KQG-116-224

A 2137 / 0092



ITEM (KOS - REF)	REF	ITEM
	T1	12
	TS1	4
	BR1	5
	CI	6
	S1	7
	S2	9
	RI	
	FS1	10
	FS2	10
	LED	11
	TB1	8

NOTES:

- 1 WIRE ITEMS 12 TO 1 IN ASS. DRAWING WITH COPY OF IDENT. ITEMS TO FIT TO BE MASKED OFF WHEN PERFORMING SOLDERING.
- 2 SOLDER CAN BE USED WITH ITEM 6 TO PROTECT USING TYPICAL ITEM 15, INFACE FLOW SOLDERING.
- 3 FIT SIKKONDED CRIMP CONNECTOR'S ITEM 21 USING CTT CRIMP TOOL RTB-510

RENISHAW PLC
METROLOGY DIVISION
UNCONTROLLED DOCUMENT
19 APR 1995
ENSURE YOU HAVE CORRECT ISSUE

fcc10: K06 MI16-224

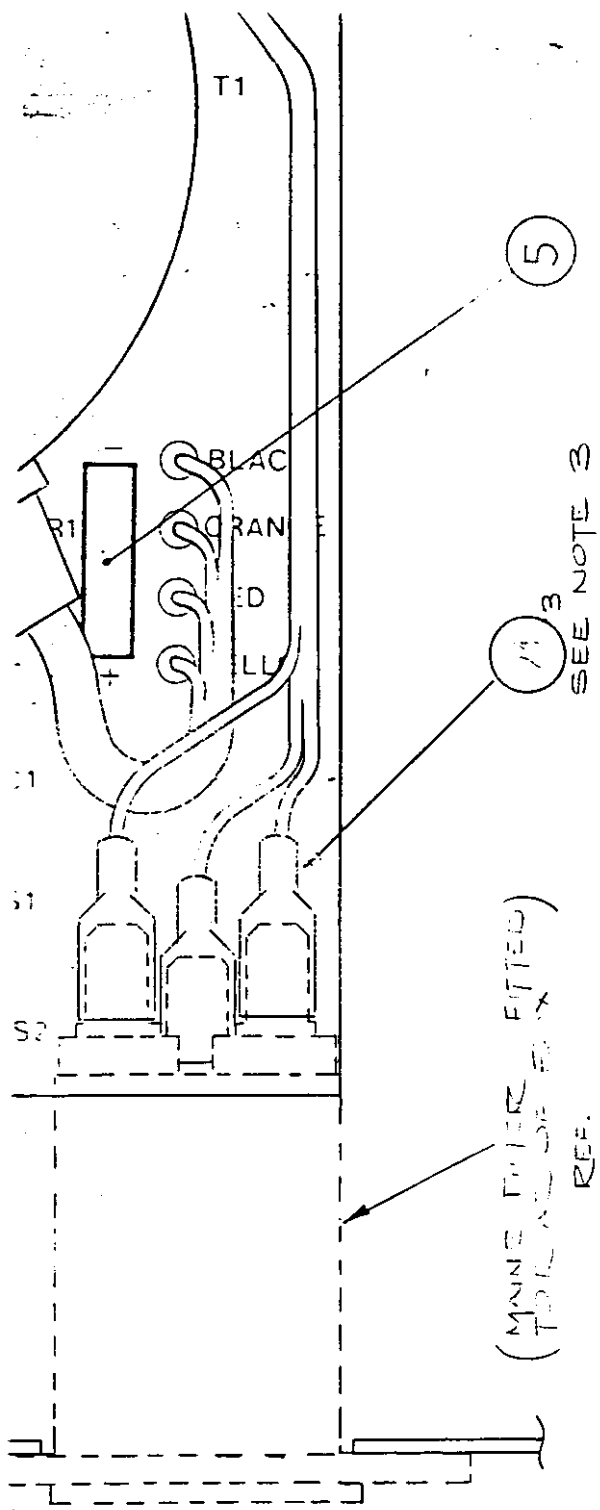
PSU PCB ASSEMBLY

THW (SAC) 2/12/81
GUEST
1 OF 1

RENISHAW

Gloucester Street
Wotton Under Tree
England

A 1033/0151-01



(MINE FILTER FITTED)
 (SEE NOTE 3)
 REF.

5

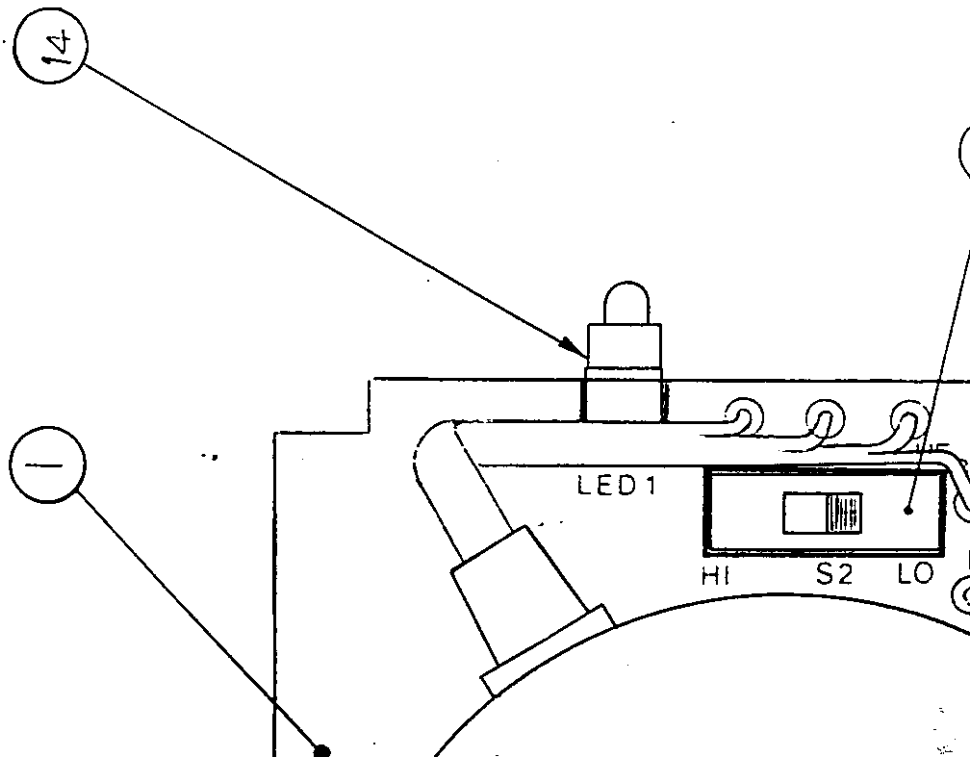
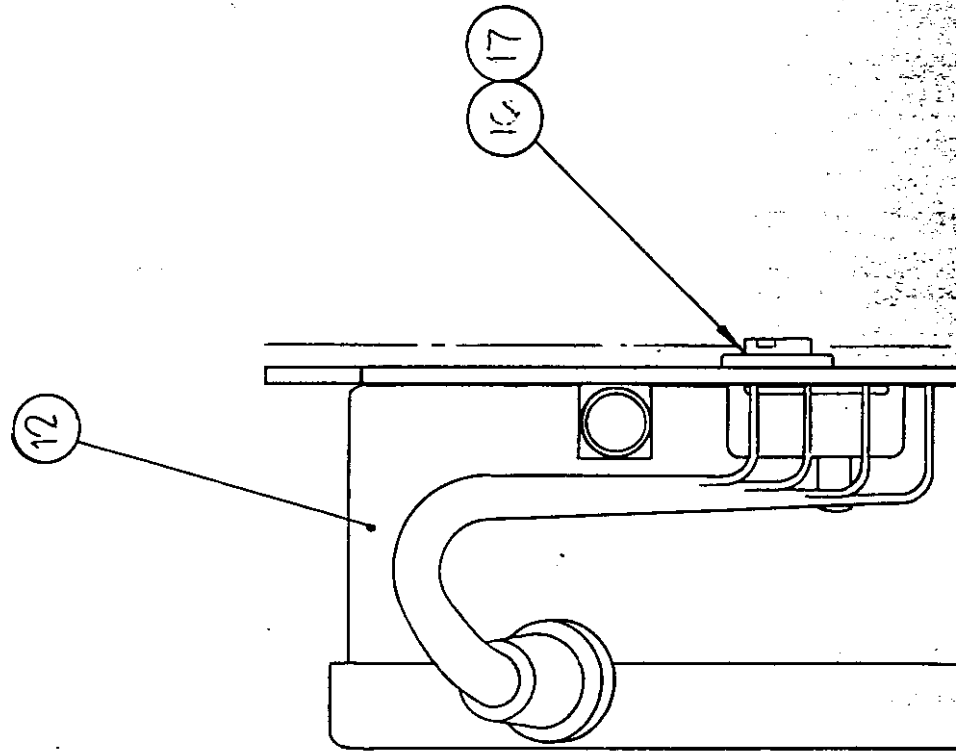
11

SEE NOTE 3

FCC ID: K06-MI16-224

RECEIVED
 DATE: 10/10/06
 TIME: 10:00 AM
 BY: [Signature]

FCC ID: KQG-MI16-224

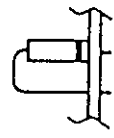
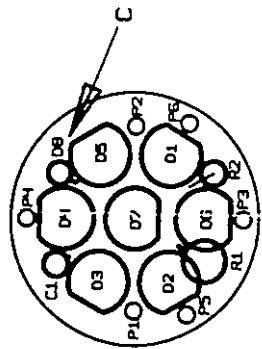


1 2 3 4 5 6

USED ON

DO NOT SCALE

3rd ANGLE PROJECTION



VIEW ON ARROW 'C'
SHOWING DIODE 'D8'
ORIENTATION.
NOT TO SCALE.

NOTES:-
PLACE LED, ITEM 13, (D7) IN SPACER, ITEM 14, PRIOR TO FITTING TO PWB.
PLACE LED'S, ITEM'S 10, (D1, D2, D3, D4, D5 AND D6) IN SPACER'S, ITEM 15, PRIOR TO FITTING TO PWB.

FCC ID: K06 H116-224

FIRST ISSUE NO.	DRAWN BY	DRAWN DATE
547	JFF	SEP 97
SHEET	CHECKED	ISSUE DATE
1 of 1	EP	10-3-98

TITLE
OM16 PWB

MATERIAL TYPE CODE MATERIAL

R/

SCALE
U.O.S.
2:1

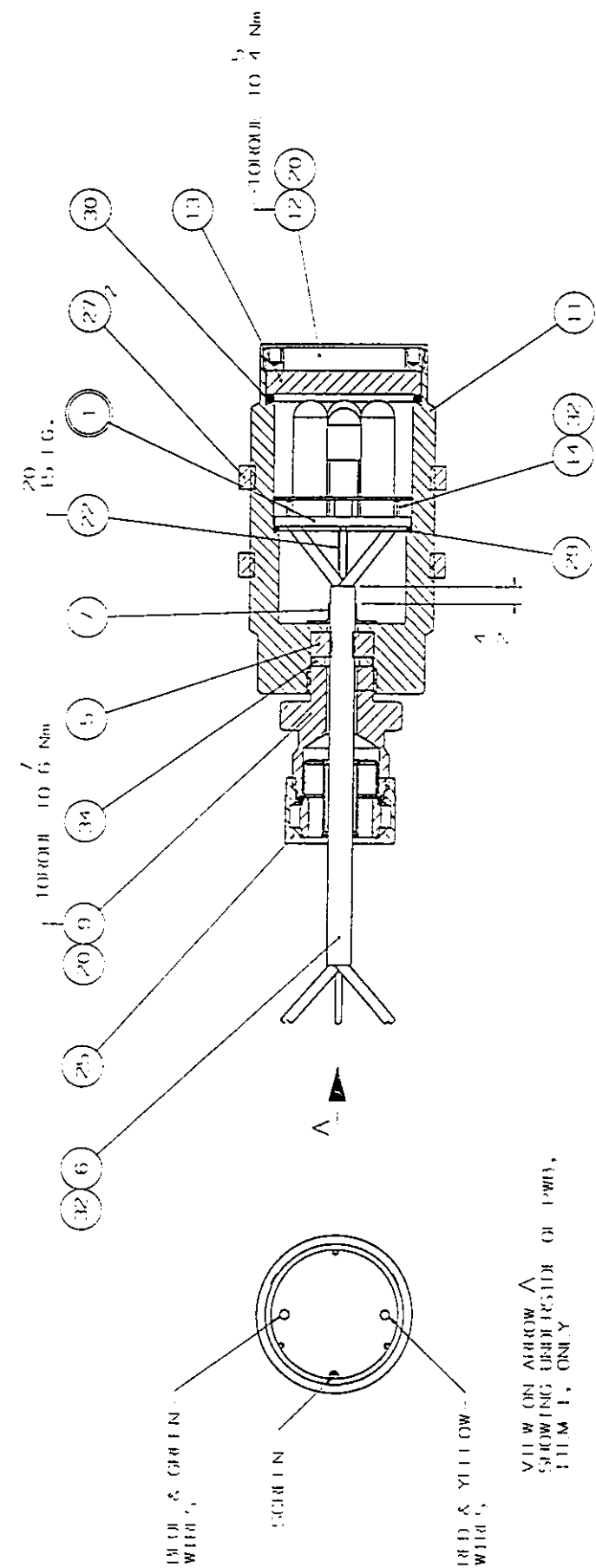
DRAWING NO.
New Hill
Wotton - under - Edge
Glos. England.

RENISHAW®

DRAWING IS THE PROPERTY OF RENISHAW plc - METROLOGY
DEPARTMENT, AND MAY NOT BE COPIED OR USED FOR ANY PURPOSE,
OTHER THAN THAT FOR WHICH IT IS SUPPLIED, WITHOUT THE
WRITTEN AUTHORITY OF RENISHAW plc.

A-2137-0540-01-C

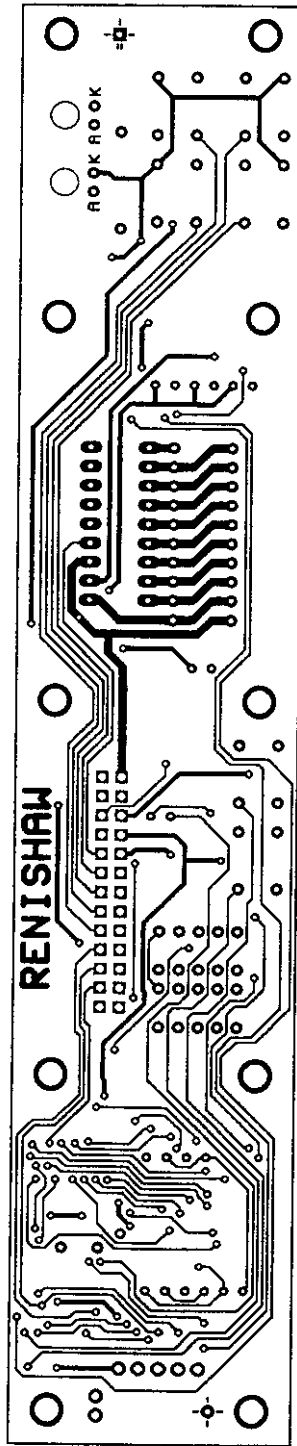
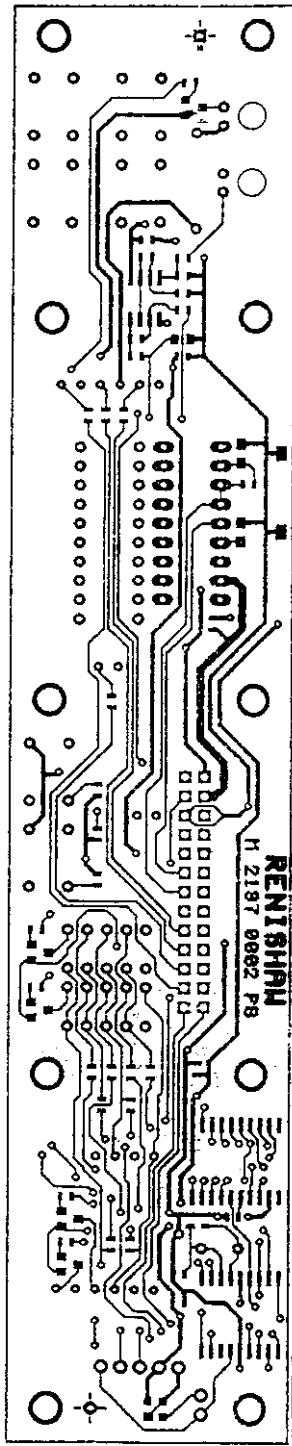
1 2 3 4 5 6



VIEW ON ARROW A
SHOWING UNDERFACE OF PWB3,
ITEM 1, ONLY

fcc ID: KQ6-HI16-224

ALL DIMENSIONS UNLESS OTHERWISE SPECIFIED ARE IN MILLIMETERS (IN PARENTHESES). DIMENSIONS ARE GIVEN TO UNLESS OTHERWISE SPECIFIED. DIMENSIONS ARE GIVEN TO UNLESS OTHERWISE SPECIFIED. DIMENSIONS ARE GIVEN TO UNLESS OTHERWISE SPECIFIED.	DO NOT SCALE 	TITLE OM16 ASSEMBLY	DRAWN DATE 1 FEB 98
			CHECKED BY 173
DIMENSIONS ARE GIVEN TO UNLESS OTHERWISE SPECIFIED. DIMENSIONS ARE GIVEN TO UNLESS OTHERWISE SPECIFIED.	DO NOT SCALE 	MATERIAL ALUMINUM	DRAWN DATE 17-2-97
			CHECKED BY 173
RENISHAW®		SCALE 2:1	DRAWING No. A-2137-0401-01-C



FCC ID: KQG MI16-224

TITLE	FRONT PANEL PCB	FIRST ISSUE N°	DRAWN BY	DRAWING DATE
MATERIAL		SHEET	JM CHANCY	10/02/97
		1 OF 1	CHECKED	ISSUE DATE
				23/09/97

OTHERWISE STATED	⊙ 0.2	⊕ 0.2
DIMENSIONS IN MILLIMETERS TOL 0.25 ANGLES 2° ±	// 0.2	or // 0.2
SHARP CORNERS-CHAMFER OR R 0.25 MAX	⊥ 0.2	or ⊥ 0.2
MINIMAL RADIUS 0.25 MAX SURFACE TEXTURE 1.6		
S 60 6H		

DRAWING IS THE PROPERTY OF RENISHAW METROLOGY LTD AND MAY NOT BE REPRODUCED OR USED FOR ANY PURPOSE OTHER THAN THAT FOR WHICH IT IS SUPPLIED WITHOUT THE EXPRESS WRITTEN AUTHORITY OF RENISHAW METROLOGY LTD

New Mills
Motton Under Edge
Glos. England

RENISHAW

M 2137 0002 PB

FCC ID: KQG MI16-224

FIRST ISSUE N°	DRAWN BY	DRAWING DATE
SHEET 2 of 2	JM CHANCY	15 08 98
CHECKED	ISSUE DATE	

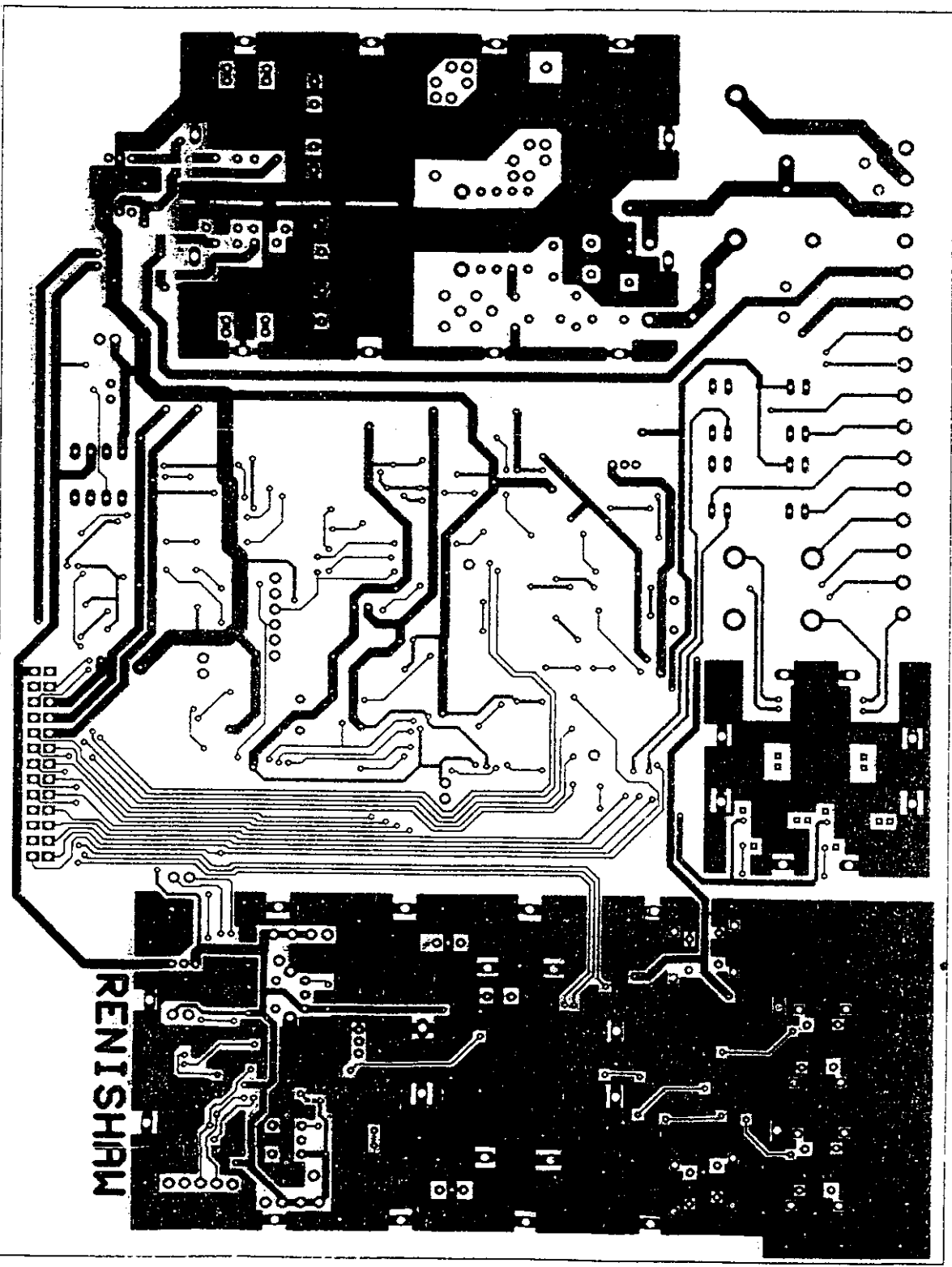
TITLE MI16 US LP LOGIC PCB

MATERIAL SCALE

RENISHAW

New Mills
Hotton Under Edge
Gloss, Ebor Road

M 2137 0091 PA



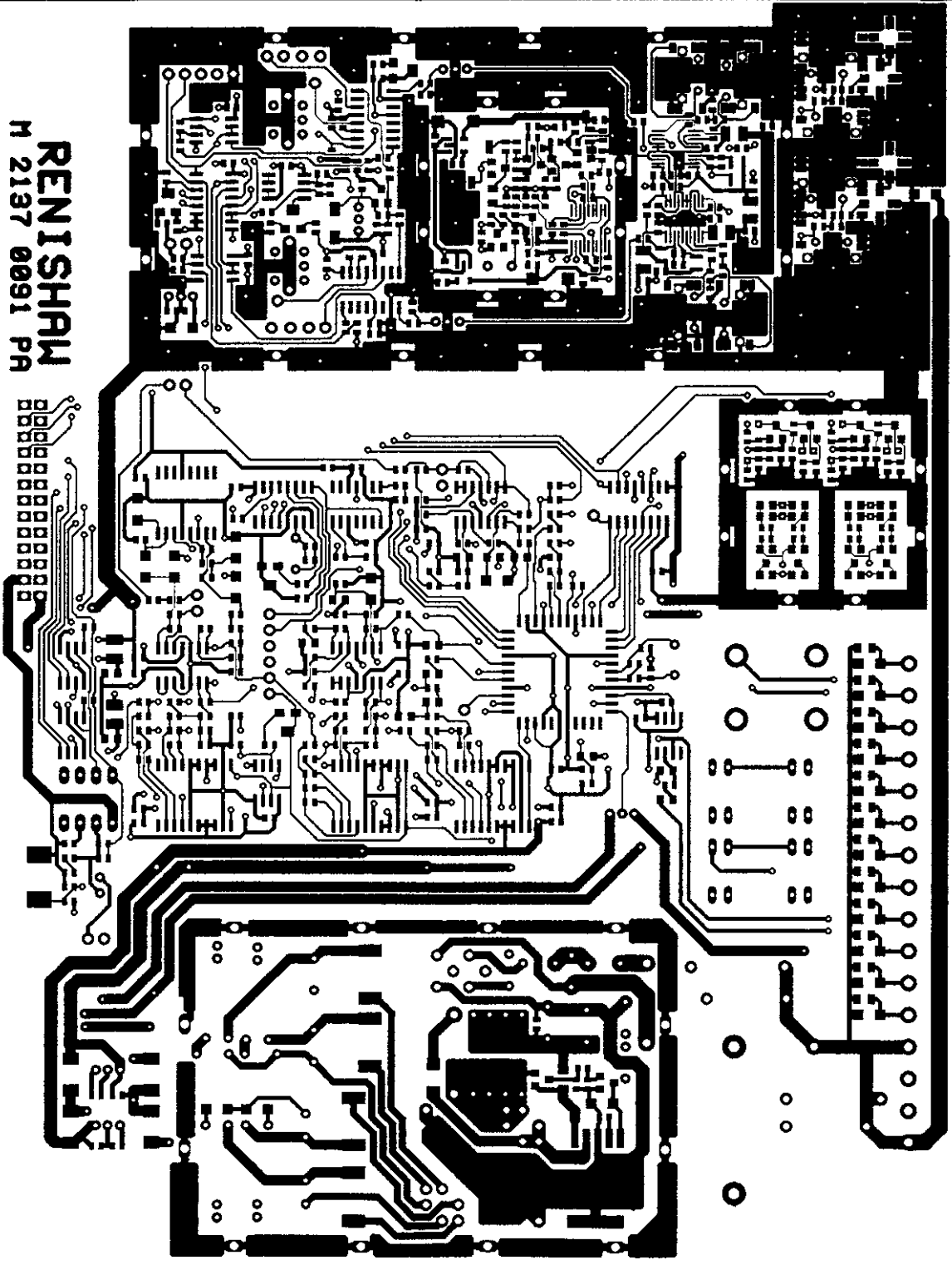
(Scale: 0.0 mm to 0.75 mm)

UNLESS OTHERWISE STATED
ALL DIMENSIONS IN MILLIMETERS TOL 0.25 ANGLES 2°
REMOVE SHARP CORNERS--CHAMFER OR R 0.25 MAX
INTERNAL HOLE 0.25 MAX SURFACE TEXTURE 1.6
THICKNESS 0.18

IS THE PROPERTY OF
RENISHAW METROLOGY LTD AND MAY
BE USED FOR ANY
PURPOSE THAT FOR WHICH
IT WAS SUPPLIED WITHOUT THE EXPRESS
WRITTEN PERMISSION OF RENISHAW METROLOGY LTD

0.2	0.2	0.2	0.2
0.2	0.2	0.2	0.2
0.2	0.2	0.2	0.2

RENISHAW
M 2137 0091 PA



FCC ID: K06 MI16-224

FIRST ISSUE N°	DRAWN BY	DRAWING DATE
1	JM CHANCY	15 09 98
SHEET	CHECKED	ISSUE DATE
1 of 2		

TITLE MI16 US LP LOGIC PCB

MATERIAL

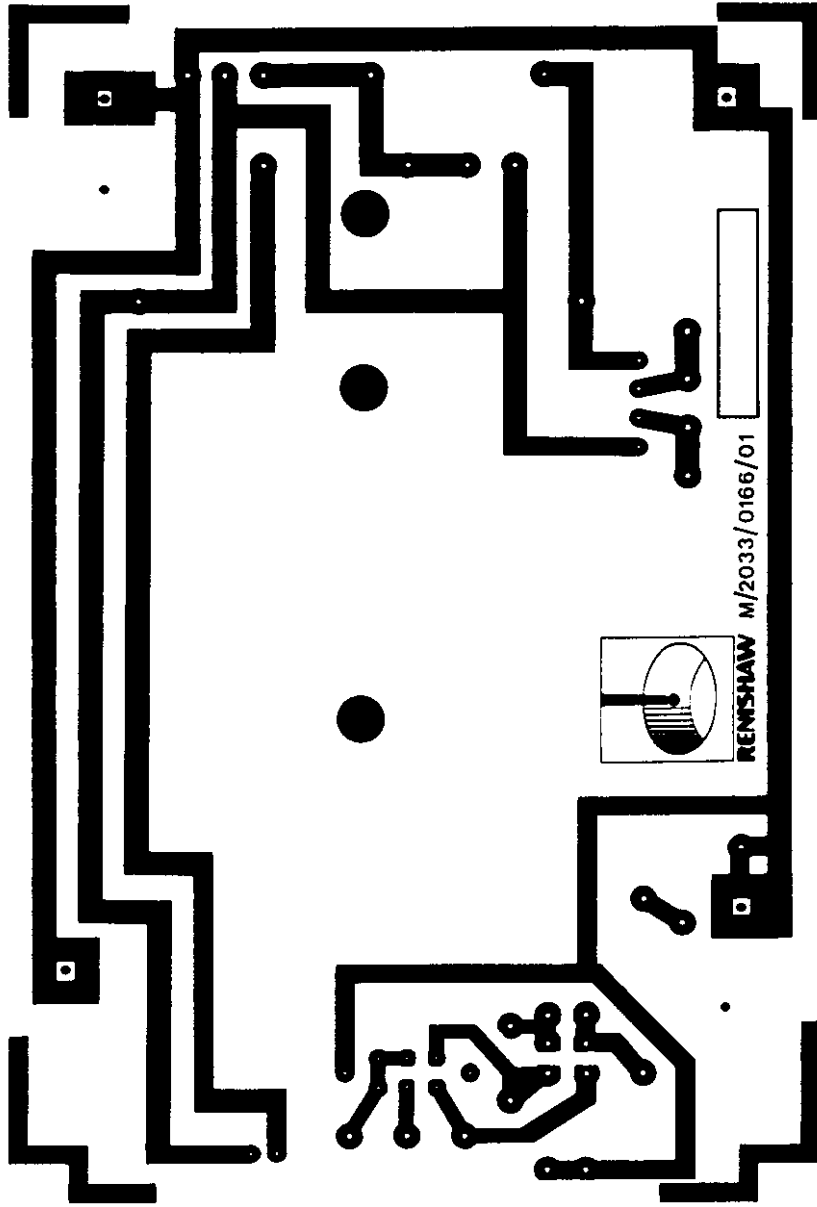
New Millio Edge
Hotion Under-Edge
Bliss

RENISHAW M 2137 0091 PA

\oplus 0.2	\oplus 0.2
// 0.2	// 0.2
0.2	0.2

UNLESS OTHERWISE STATED
ALL DIMENSIONS IN MILLIMETERS TOL. 0.25 ANGLES 3°
REMOVE SHARP CORNERS-CHAMFER DR R 0.25 MAX
INTERNAL RPTD 0.25 MAX SURFACE TEXTURE 1.6
THICKNESS 0.4

IS THE PROPERTY OF
TECHNOLOGY LTD AND NOT
TO BE USED FOR ANY
OTHER THAN THAT FOR WHICH
IT WAS SUPPLIED WITHOUT THE EXPRESS
WRITTEN PERMISSION OF TECHNOLOGY LTD

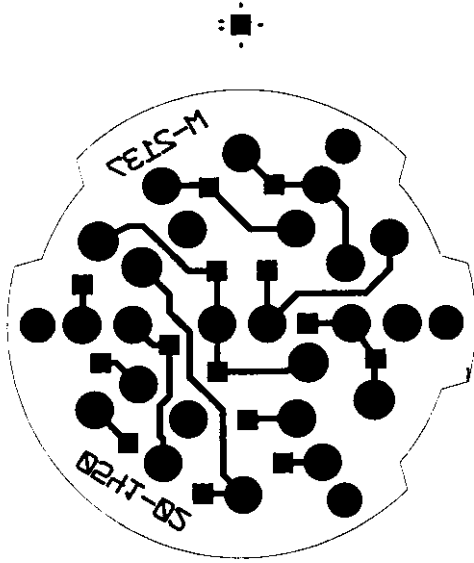


SCALE TO 127

FCC ID: K06-MI16-224

ISSUE	ALTERATION	DATE	APPROV	DESCRIPTION	MATERIAL	ASSEMBLY	WOTTON-UNDER-EDGE Glas. England	SCALE	DRAWING No	DATE	PHO	EN	INCH
A		11/11/01		RSU. PVB TRACK.				2:1		01-0000/0000/01			

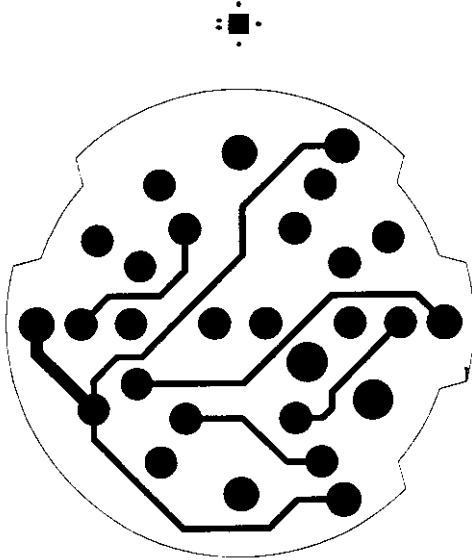
RENSHAW



101.6 +-0.1mm

fcc ID: K06-MI16-224

RENISHAW OTTON-UNDER-EDGE GLOS ENGLAND	TITLE OM16 PWB SOLDER SIDE COPPER		DRAWN DATE FEB 98	DRAWN JPF	PRODN
	SCALE 1:1		CHECKED BP	DESIGN DC	DATE
THIS DRAWING IS THE PROPERTY OF © RENISHAW plc - METROLOGY DIVISION, AND MAY NOT BE COPIED OR USED FOR ANY PURPOSE, OTHER THAN THAT FOR WHICH IT IS SUPPLIED, WITHOUT THE EXPRESS WRITTEN AUTHORITY OF RENISHAW plc.			DRAWING No D-2137-0543-02		



101.6 ±0.1mm

fcc ID: K06-MI16-224

RENISHAW TTON-UNDER-EDGE GLOS ENGLAND	TITLE OM16 PWB COMPONENT SIDE COPPER		DRAWN DATE FEB 98	DRAWN JPF	PRODN
	SCALE 1:1	DRAWING No D-2137-0542-02	CHECKED BP	DESIGN DC	DATE

THIS DRAWING IS THE PROPERTY OF © RENISHAW plc - METROLOGY DIVISION, AND MAY NOT BE COPIED OR USED FOR ANY PURPOSE, OTHER THAN THAT FOR WHICH IT IS SUPPLIED, WITHOUT THE EXPRESS WRITTEN AUTHORITY OF RENISHAW plc.