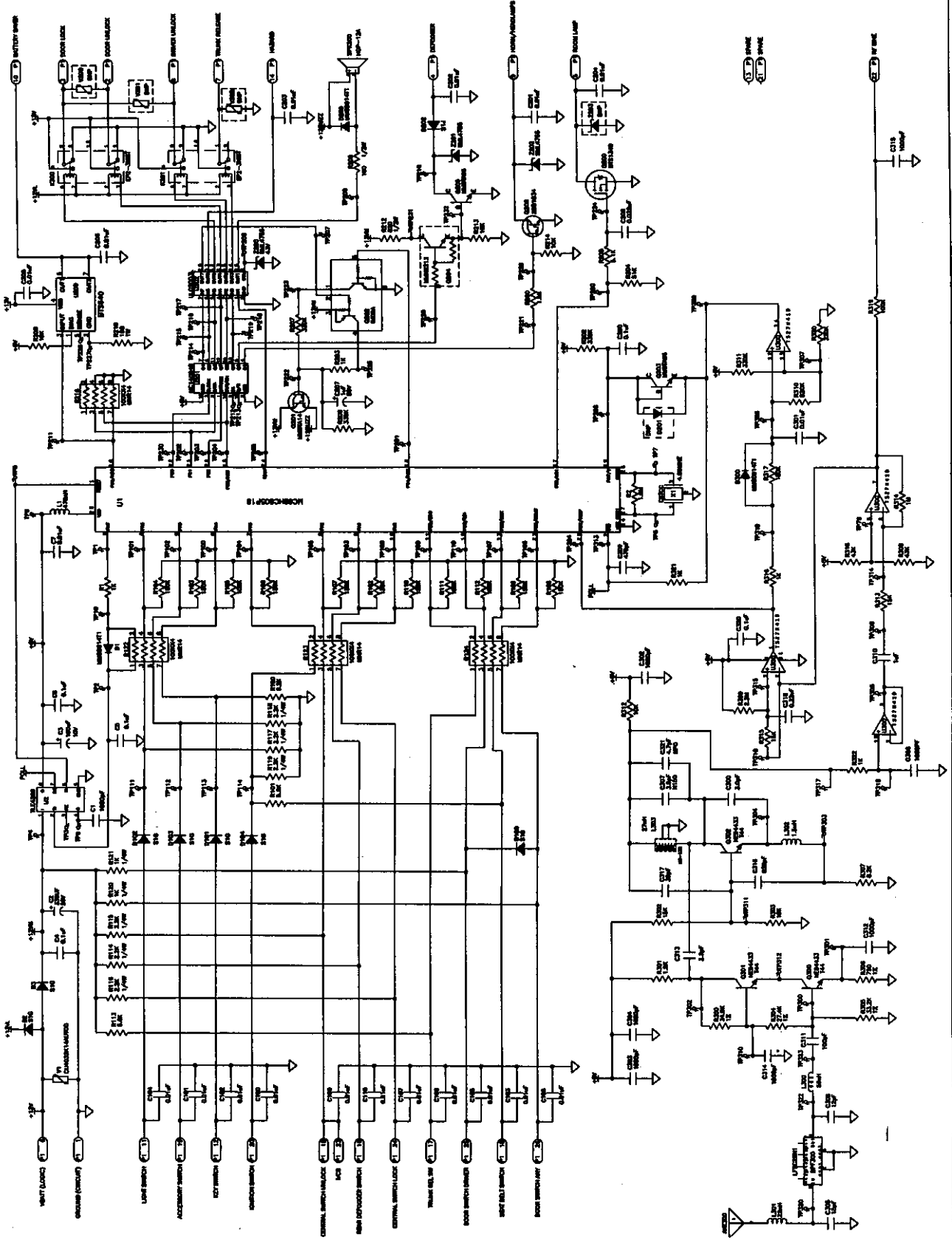


# EXHIBIT 6

Page 1 of 1

U of Mich file 415031- 997

LTB	DESCRIPTION	DATE	APR	15
A	ORIGINAL RELEASE	12/20/94	15	34
B	NOT RECORDED			
C	ADDED TO FILE	8/15/95	15	34
D	ADDED TO FILE	10/20/95	15	34
E	ADDED TO FILE	12/20/95	15	34
F	ADDED TO FILE	12/20/95	15	34
G	ADDED TO FILE	12/20/95	15	34



NOTE:  
REF. TO SET PAGE

811-340-000

SCHEMATIC  
REVISION ENTRY  
DATE: 1/1/95  
BY: J. B. [unreadable]  
APP. [unreadable]

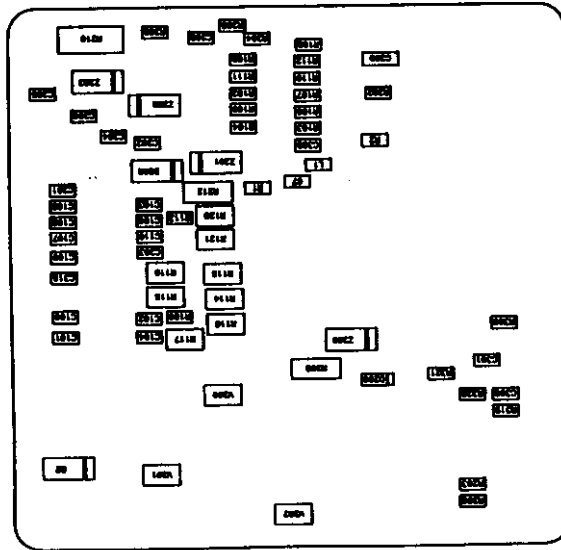
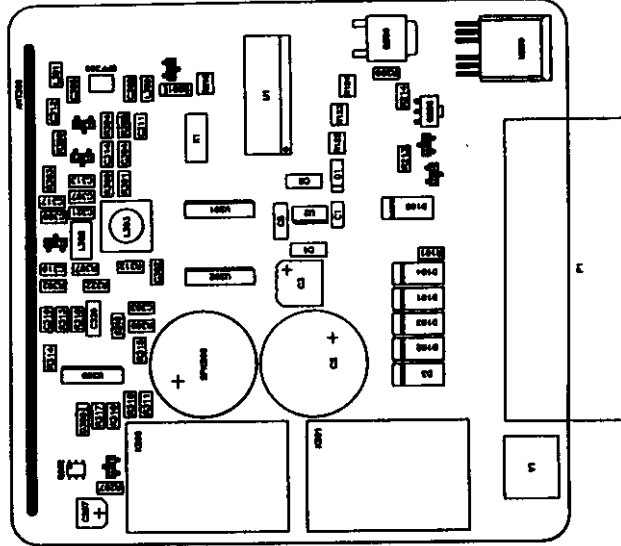


EXHIBIT H

Page 1 of 1

U of Mich file 415031- 997