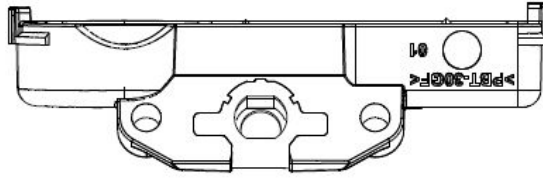
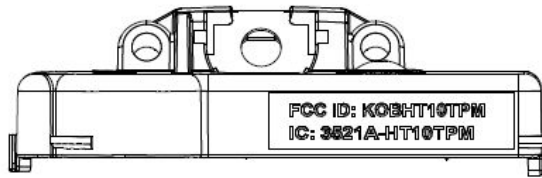
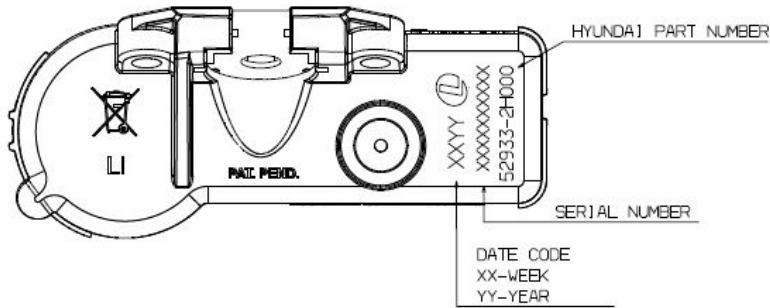


Re: Certification for Lear Corporation  
FCC ID: KOBHT10TPM  
IC: 3521A-HT10TPM

1 WE BODY-LOW LINE



DATE CODE, SERIAL NUMBER AND  
HYUNDAI PART NUMBER TO BE  
APPLIED BY LASER. ALL OTHER  
MARKINGS ARE MOLDED IN PLASTIC.



HOUSING VIEW  
(SHOWN W/O VALVE ASY)  
SCALE: 3X