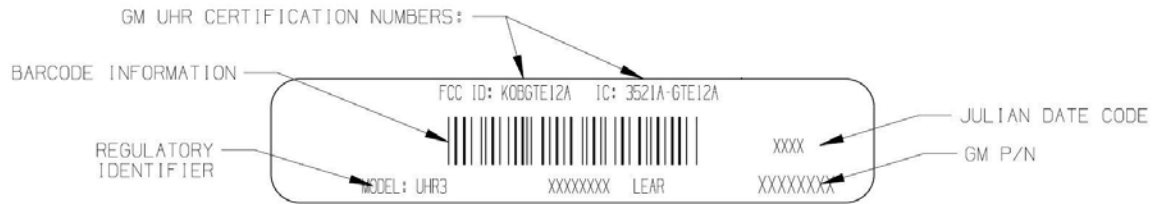
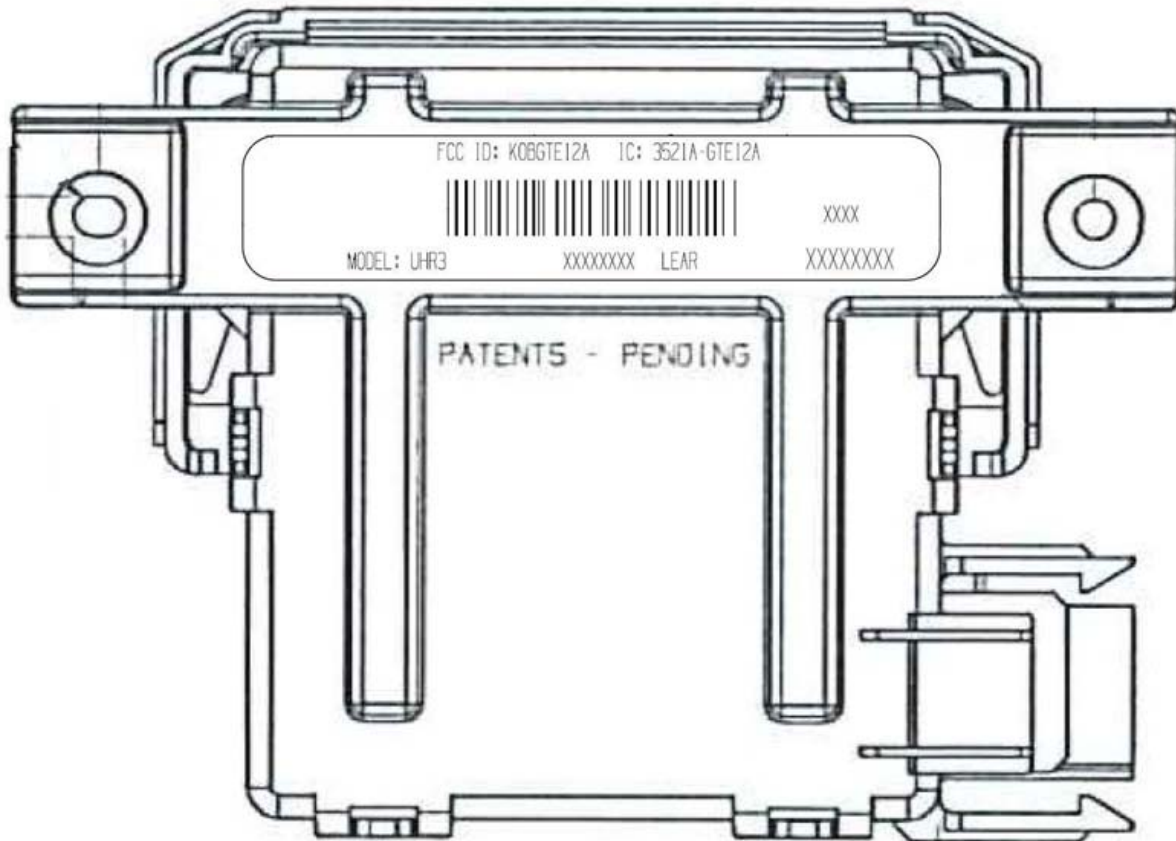


Date: March 29, 2012  
RE: Lear Universal Transmitter Model # UHR3  
FCC ID: KOBGTE12A (Proposed)  
IC: 3521A-GTE12A (Proposed)

**Label Drawing for GM**



**Label Location**



**FCC/IC Statement**

**INFORMATION TO BE INCLUDED IN THE END USER'S MANUAL**

The following information must be included in the end product user's manual to ensure continued FCC and Industry Canada regulatory compliance. The ID numbers must be included in the manual if the device label is not readily accessible to the end user. The compliance paragraphs below must be included in the user's manual.

\*\*\*\*\*  
FCC ID: KOBGTE12A Model: UHR3  
IC: 3521A-GTE12A

**This device complies with Part 15 of the FCC Rules and with Industry Canada license-exempt RSS standard(s). Operation is subject to the following two conditions: (1) This device may not cause harmful interference, and (2) This device must accept any interference received, including interference that may cause undesired operation.**

**Le présent appareil est conforme aux CNR d'Industrie Canada applicables aux appareils radio exempts de licence. L'exploitation est autorisée aux deux conditions suivantes : (1) l'appareil ne doit pas produire de brouillage, et (2) l'utilisateur de l'appareil doit accepter tout brouillage radioélectrique subi, même si le brouillage est susceptible d'en compromettre le fonctionnement.**

**Note: Changes or modifications not expressly approved by the party responsible for compliance could void the user's authority to operate the equipment.**

\*\*\*\*\*