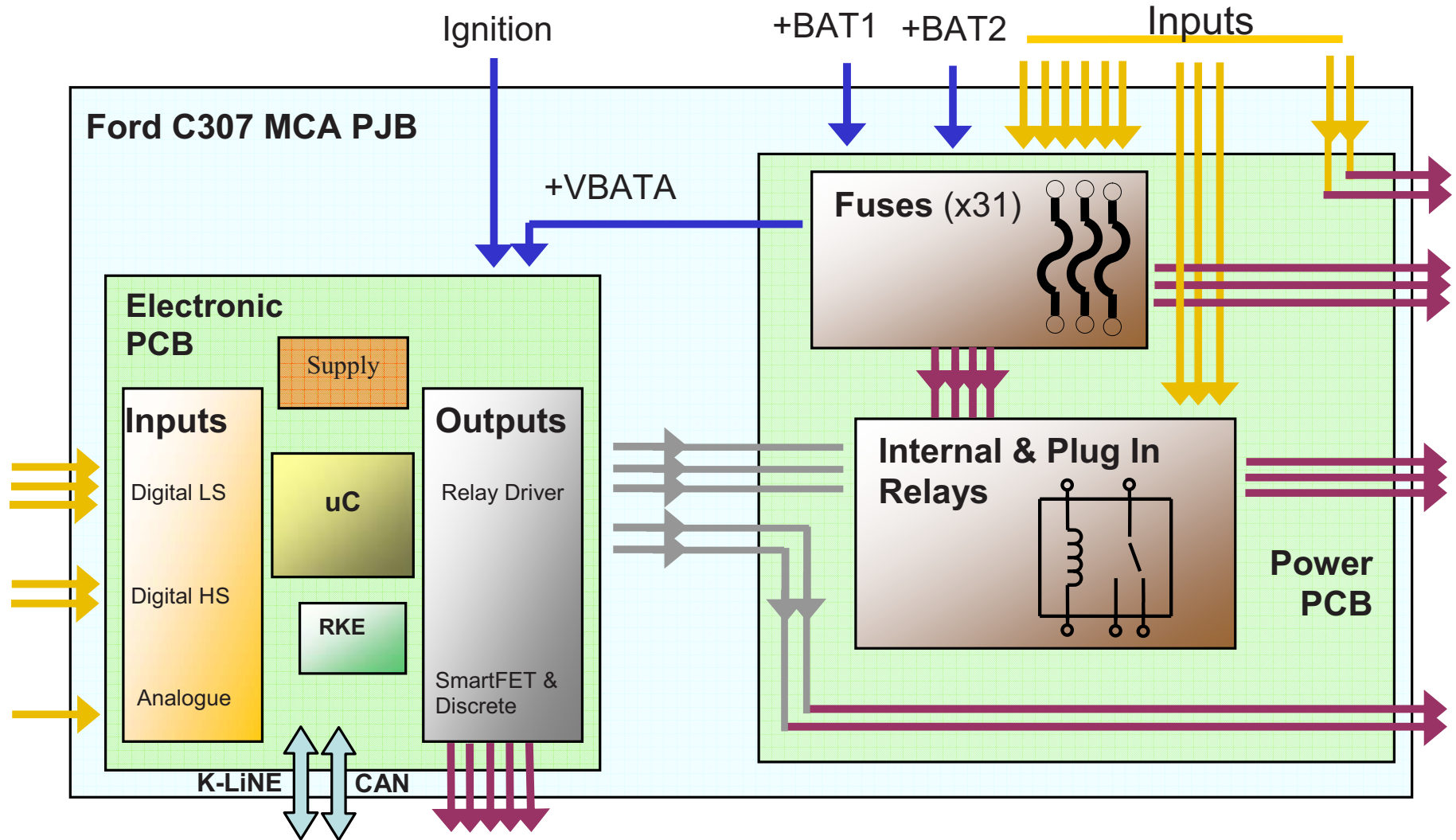


C307 MCA PJB block diagram



Internal Oscillators/Xtals: 4 MHz, 32 kHz, 14.27MHz, 304.3 MHz LO