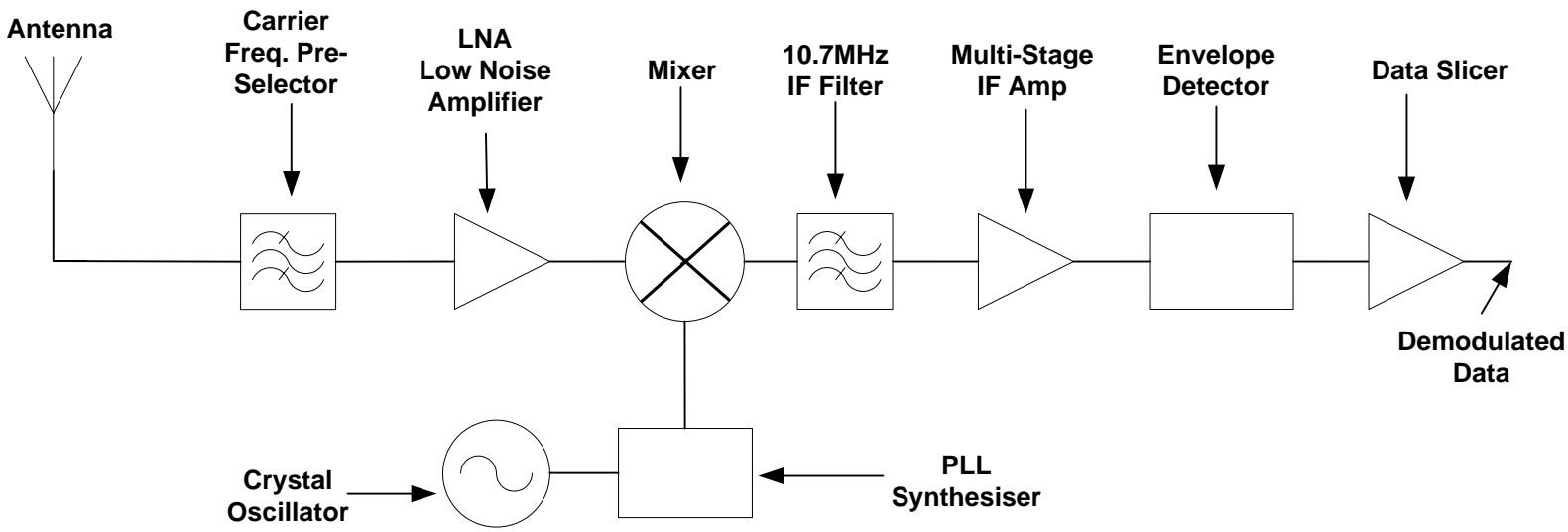


Re: Certification for Lear Corporation
Receiver,
FCC ID: KOBDR06WB
IC: 3521A-DR06WB

Receiver Block Diagram



Other Oscillators:
16.000 MHz
10.178125 MHz
32.768 KHz