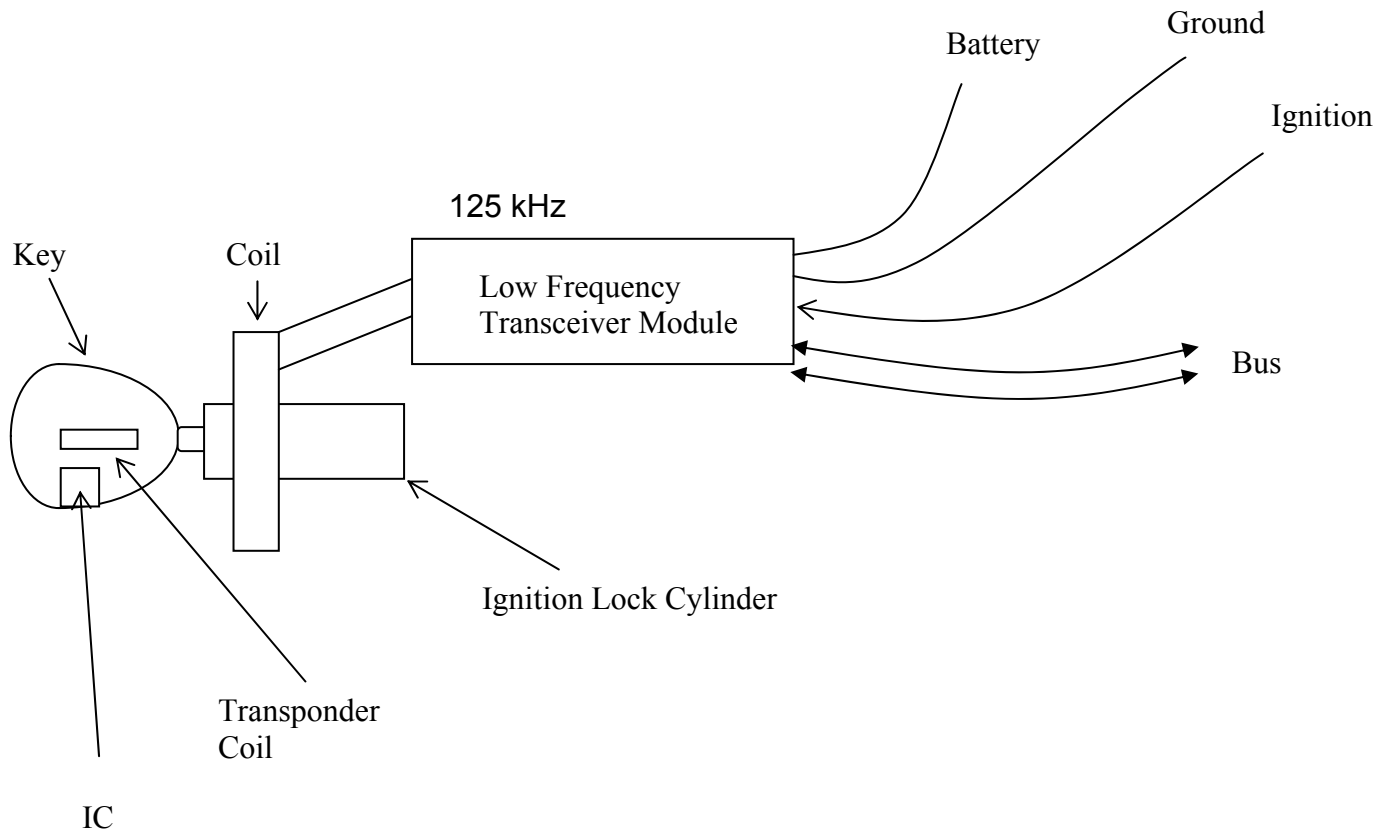


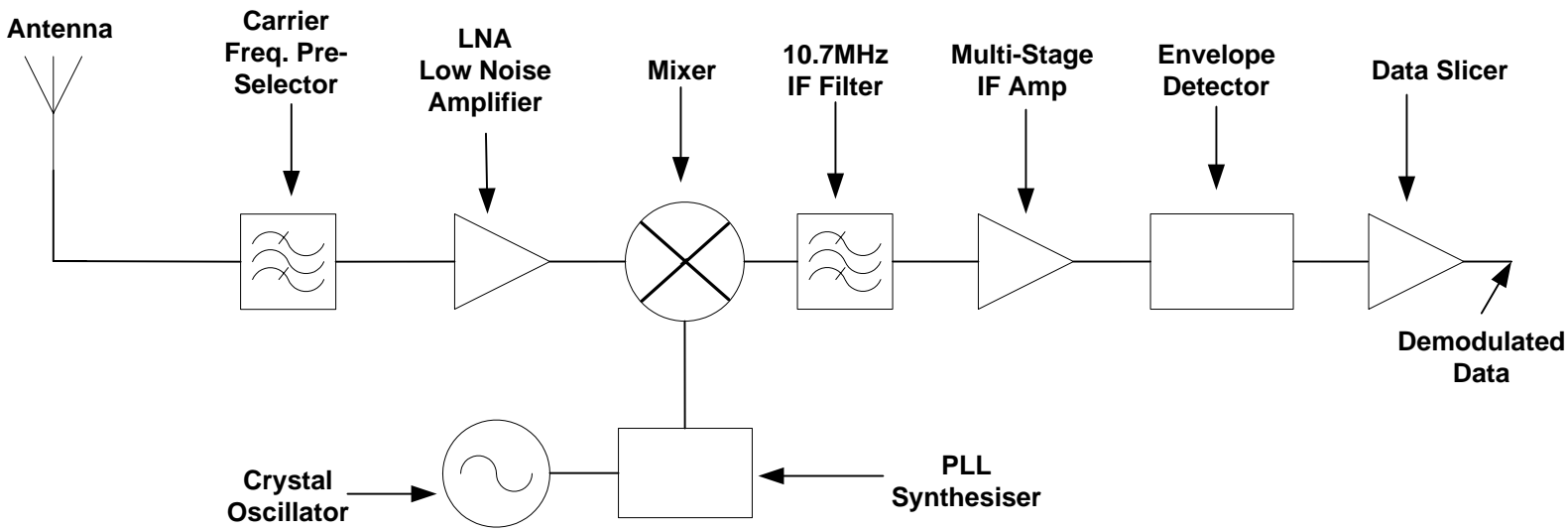
Re: Certification for Lear Corporation
Receiver,
FCC ID: KOBDR06WA
IC: 3521A-DR06WA



Block Diagram of Immobilizer System Operation

Re: Certification for Lear Corporation
Receiver, Model NG WCM
FCC ID: KOBDR06WA
IC: 3521A-DR06WA

Receiver Block Diagram



Other Oscillators:
16.000 MHz
10.178125 MHz
32.768 KHz