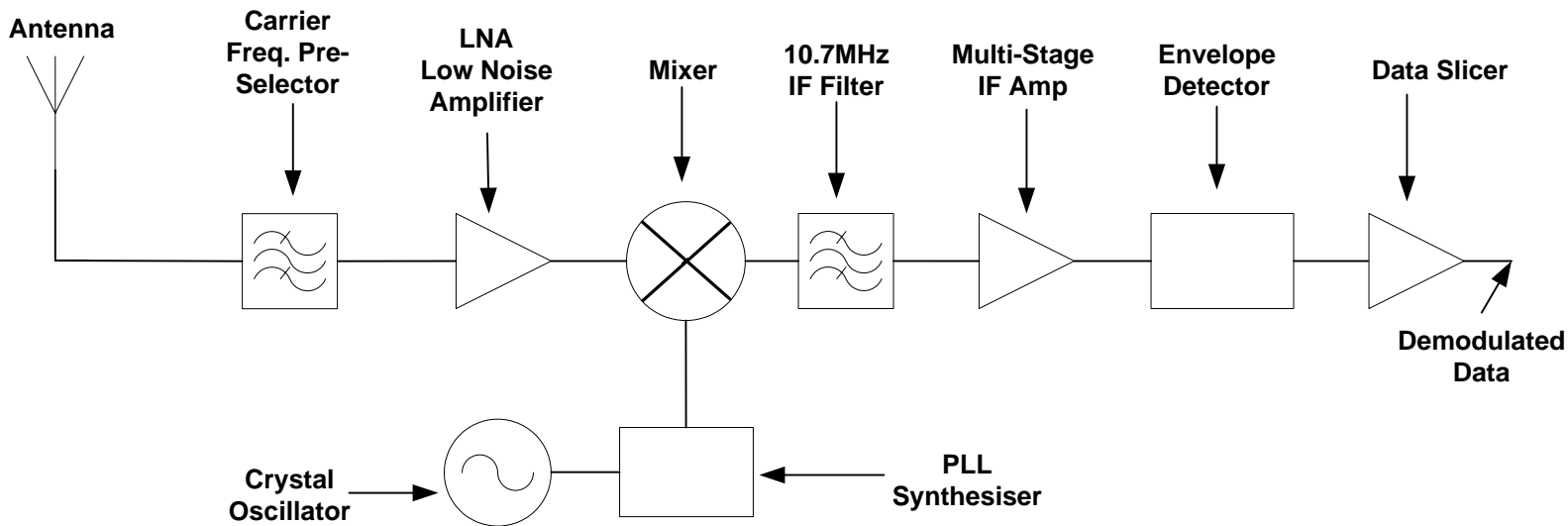


Re: Certification for Lear Corporation  
Receiver, Model NG SKREEM  
FCC ID: KOBDR06SB  
IC: 3521A-DR06SB

## Receiver Block Diagram



Other Oscillators:  
16.000 MHz  
10.178125 MHz  
32.768 KHz