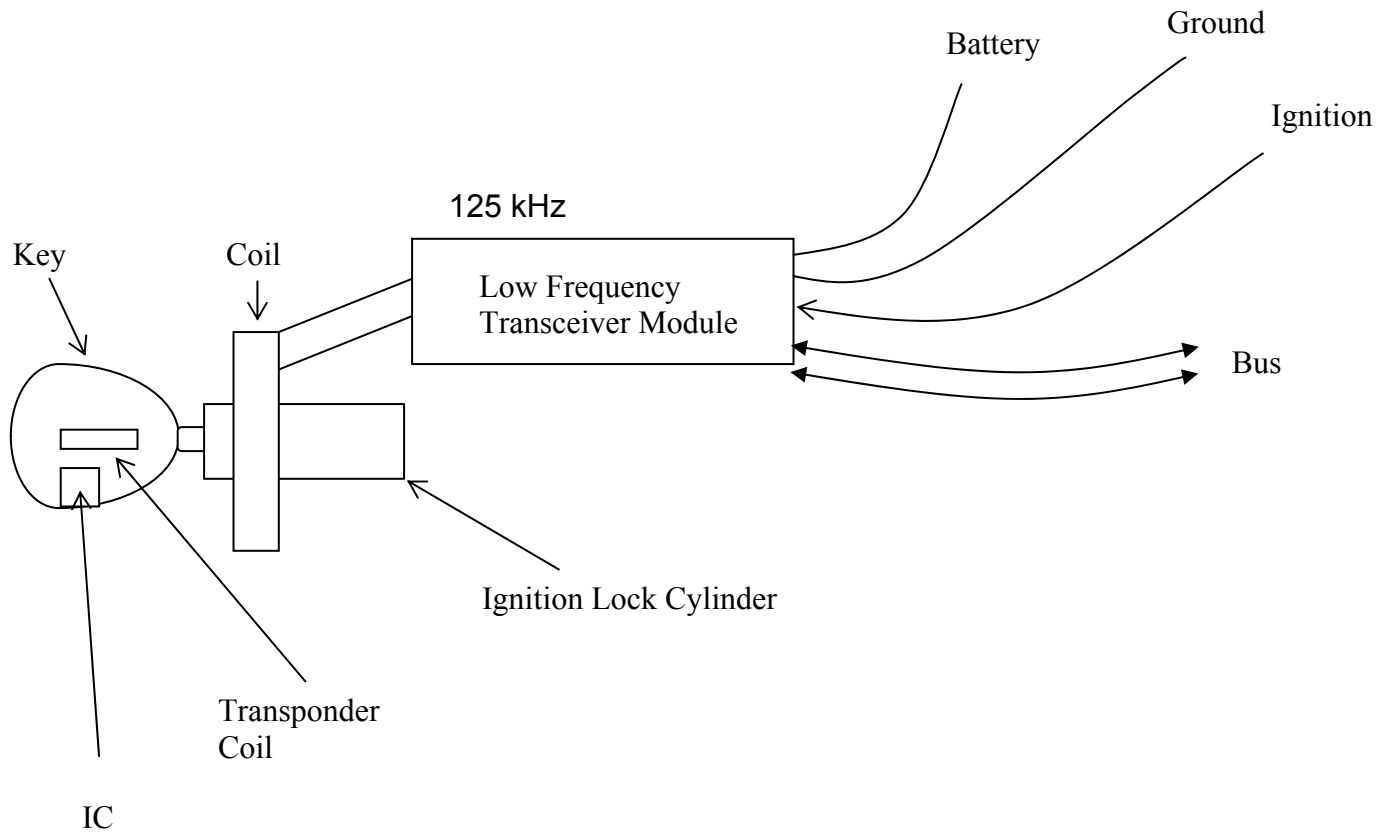


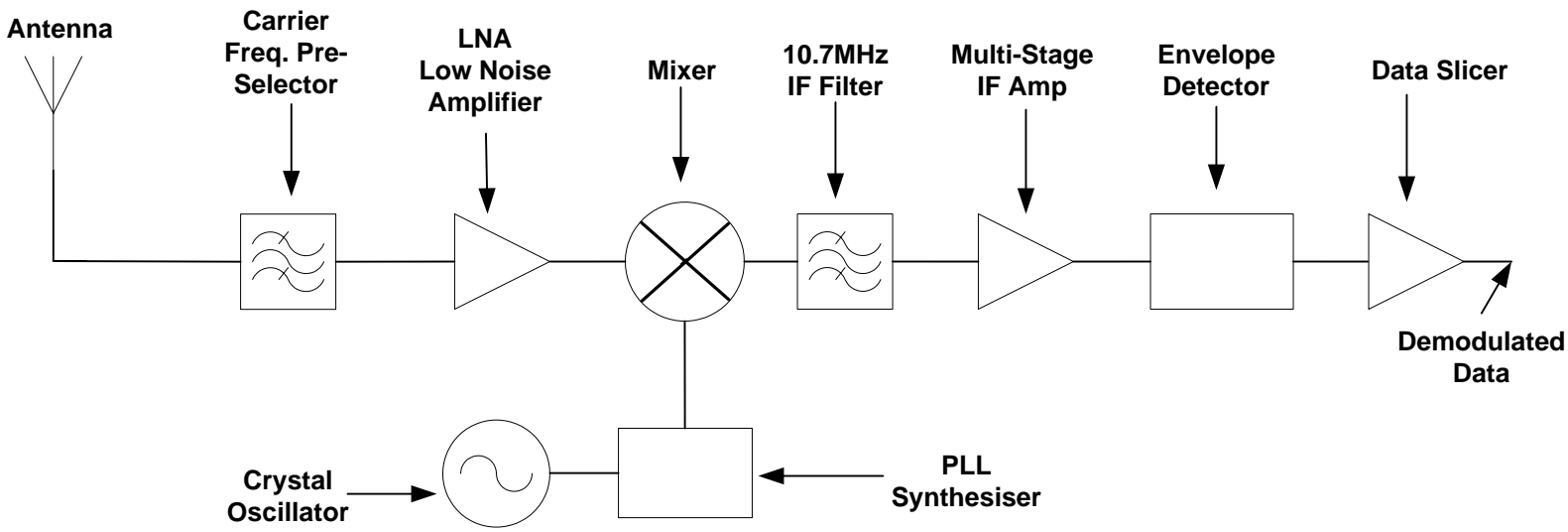
Re: Certification for Lear Corporation  
Receiver, Model NG SKREEM  
FCC ID: KOBDR06SA  
IC: 3521A-DR06SA



**Block Diagram of Immobilizer System Operation**

Re: Certification for Lear Corporation  
Receiver, Model NG SKREEM  
FCC ID: KOBDR06SA  
IC: 3521A-DR06SA

## Receiver Block Diagram



Other Oscillators:  
16.000 MHz  
10.178125 MHz  
32.768 KHz