



5200 Auto Club Dr.
Dearborn, Michigan 48126-9982
(313) 593-9000

Re: Certification for Lear Corporation
Transmitter, Model SKREEM
FCC ID: KOBDR05B
IC: 3521A-R05C

FCC and IC ID LABEL and STATEMENT

The following drawings outline the 2 different cosmetic versions of this RKE only receiver. The internal PCB is the same between these versions however the immobilizer components are not populated. The label(s) below will be laser etched on the outside and on the back of the plastic case of the transmitter.

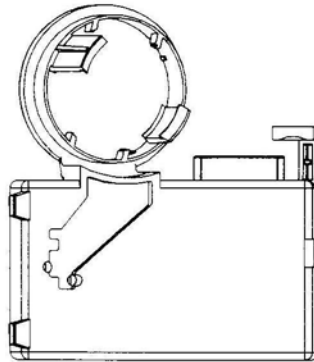
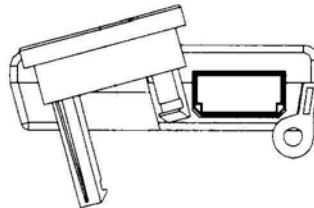
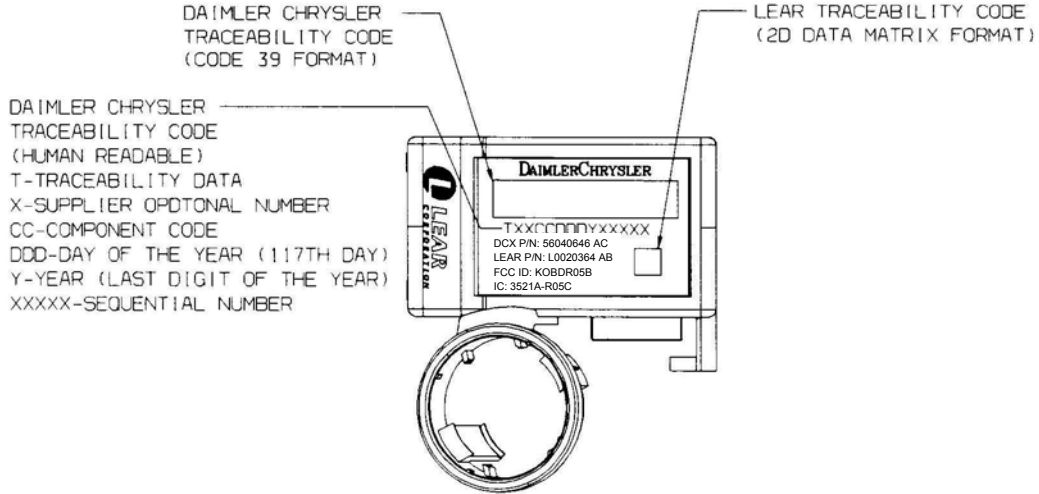
The following statement will be printed in the User's Instruction Manual

This device complies with Part 15 of the FCC Rules and with RSS-210 of the Industry Canada. Operation is subject to the following two conditions:

- (1) This device may not cause harmful interference, and
- (2) This device must accept any interference received, including interference that may cause undesired operation.

WARNING: Changes or modifications not expressly approved by the party responsible for compliance could void the user's authority to operate the equipment.

Re: Certification for Lear Corporation
 Transmitter, Model SKREEM
 FCC ID: KOBDR05B
 IC: 3521A-R05C



Re: Certification for Lear Corporation
 Transmitter, Model SKREEM
 FCC ID: KOBDR05B
 IC: 3521A-R05C

