



# SPD3-5.2

0.9 m | 3 ft Standard Performance Parabolic Reflector Antenna, Dual-polarized, 5.25-5.85GHz



## General Specifications

Antenna Type	Standard Performance Parabolic Reflector Antenna
Size, nominal	3 ft   0.9 m
Polarization	Dual
Standard RF Connector Type	N-Female
Standard RF Connector Suffix	NS (append suffix to model number)

## Electrical Specifications

Operating Frequency Band	5.25 - 5.85 GHz
Half Power Beamwidth, Horizontal	4.2 degrees
Half Power Beamwidth, Vertical	4.2 degrees
Cross-Polarization Discrimination	30 dB
Front to Back Ratio (F/B)	40 dB
Gain, Low Frequency	32 dBi

Gain, Mid Frequency	32.5 dBi
Gain, High Frequency	33 dBi
VSWR	1.5:1
Return Loss	-14 dB

## Mechanical Specifications

Fine Azimuth Adjustment	+/- 10 degrees	
Fine Elevation Adjustment	+/- 25 degrees	
Mounting Pipe Diameter, Mn	4.5 inch   11.4 cm	
Mounting Pipe Diameter, Max	4.5 inch   11.4 cm	
Net Weight	35 lbs   15.8 kg	43 lbs   19.4 Kg with RD radome
Wind Velocity Operational	90 mph   145 km/h	
Wind Velocity Survival Rating	125 mph   201 km/h	
Mechanical Configuration	SP3	
Axial Force (FA)	492 lbs   2189 N	271 lbs   1206 Nm with RD radome
Side Force (FS)	40 lbs   178 N	64 lbs   285 Nm with RD radome
Twisting Moment (MT)	545 ft-lbs   739 Nm	394 lbs   534 Nm with RD radome
Operating temperature range	-40 to +60 C	
Max pressure, psig, (if waveguide interface)	5	

## Regulatory Compliance

FCC	undeclared
Industry Canada Compliance	undeclared
ETSI	undeclared
RoHS-compliant	Yes

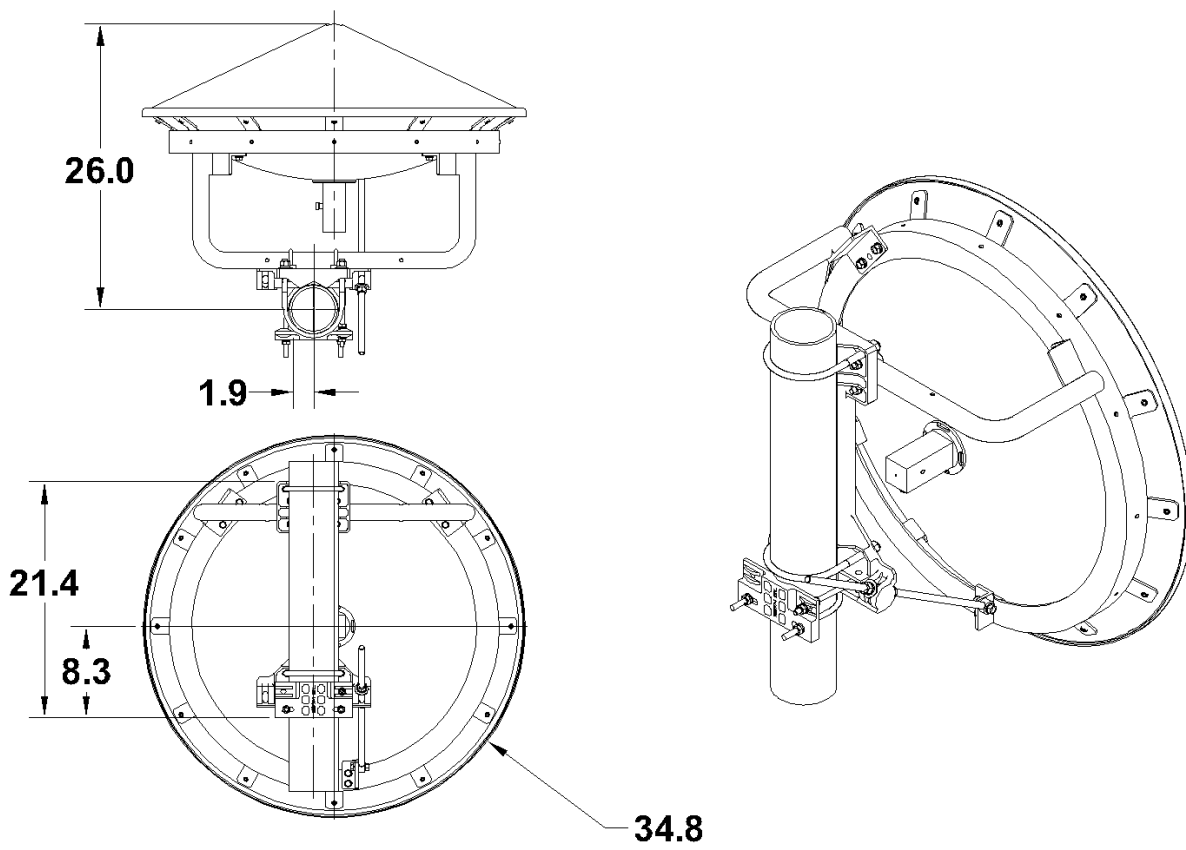
## Shipping Information

Package Type	Wood Crate
Gross Weight	78 lbs   35.3 kg
Dimensions, L x W x H	40 x 17 x 44in   101 x 43 x 140 cm

## Additional Comments

Note that all 5.2 models will operate 4.9-6.0 GHz with slightly degraded specifications  
Contact Radiowaves Sales for alternate rf interface options

## Technical Drawings



**SP3**