



WavePoint 10e

Software 1.0.38

User Manual



Part Number: LUM0063AA
Revision: A
Last Updated: 03/21/2014

Warranty

FreeWave Technologies, Inc. warrants your FreeWave® Wireless Data Transceiver against defects in materials and manufacturing for a period of one year from the date of shipment, depending on model number. In the event of a Product failure due to materials or workmanship, FreeWave will, at its discretion, repair or replace the Product. For evaluation of Warranty coverage, return the Product to FreeWave upon receiving a Return Material Authorization (RMA).

FreeWave's policy for handling WavePoint products returned due to a fault, after complaint is validated by FreeWave's Customer Support, is to replace the product with a new or refurbished unit upon receipt of reported faulty product. This means failure analysis on said product will not be performed and reported to customers. All failed units will be bagged and tagged so they can be revisited in the event that FreeWave experiences a high degree of failures or a trend. At which time, FreeWave will perform a root-cause analysis and take the appropriate corrective actions. Any visual or external damage noted on returned units will be communicated back to customers and may void the warranty, at which time, a Purchase Order (PO) will be requested from the customer for product replacement

In no event will FreeWave Technologies, Inc., its suppliers, or its licensors be liable for any damages arising from the use of or inability to use this Product. This includes business interruption, loss of business information, or other loss which may arise from the use of this Product. OEM customer's warranty periods can vary.

Warranty Policy will **not apply** in the following circumstances:

1. If Product repair, adjustments, or parts replacements are required due to accident, neglect, or undue physical, electrical, or electromagnetic stress.
2. If Product is used outside of FreeWave specifications as stated in the Product's data sheet.
3. If Product has been modified, repaired, or altered by Customer unless FreeWave specifically authorized such alterations in each instance in writing. This includes the addition of conformal coating.

Special Rate Replacement Option

A special rate replacement option is offered to non-warranty returns or upgrades. The option to purchase the replacement unit at this special rate is only valid for that RMA. The special replacement rate option expires if not exercised within 30 days of final disposition of RMA.

Restricted Rights

Any product names mentioned in this manual may be trademarks or registered trademarks of their respective companies and are hereby acknowledged.

This manual is for use by purchasers and other authorized users of FreeWave products.

No part of this manual may be reproduced or transmitted in any form or by any means, electronic or mechanical, or for any purpose without the express written permission of FreeWave Technologies, Inc. FreeWave reserves the right to make changes to this manual without notice. FreeWave assumes no responsibility or liability for the use of this manual or the infringement of any copyright or other proprietary right.

FreeWave Technologies, Inc.

Boulder, CO

303.381.9200

Toll Free: 1.866.923.6168

Printed in the United States of America.

Fax: 303.786.9948

Copyright © 2014 by FreeWave Technologies, Inc. All rights reserved.

www.freewave.com

FreeWave Technologies, Inc. products may be subject to control by the Export Administration Regulations (EAR) and/or the International Traffic in Arms Regulations (ITAR). Export, re-export, or transfer of these products without required authorization from the U.S. Department of Commerce, Bureau of Industry and Security, or the U.S. Department of State, Directorate of Defense Trade Controls, as applicable, is prohibited. Any party exporting, re-exporting, or transferring FreeWave products is responsible for obtaining all necessary U.S. government authorizations required to ensure compliance with these and other applicable U.S. laws. Consult with your legal counsel for further guidance.

FCC Notifications

This device complies with part 15 of the FCC rules. Operation is subject to the following two conditions: 1) This device may not cause harmful interference and 2) this device must accept any interference received, including interference that may cause undesired operation.

The content of this guide covers FreeWave Technologies, Inc. models sold under FCC ID: KNYPRW1001ER, KNYASM1101CR, KNYASM1101CR, KNYASM1101CR, KNYPRW1001EC, KNYPRW1001EC.

All models sold under the FCC ID(s) listed above must be installed professionally and are only approved for use when installed in devices produced by FreeWave Technologies or third party OEMs with the express written approval of FreeWave Technologies, Inc. Changes or modifications should not be made to the device.

IC Notifications

This device complies with Industry Canada license-exempt RSS standard(s). Operation is subject to the following two conditions: (1) this device may not cause interference, and (2) this device must accept any interference, including interference that may cause undesired operation of the device.

Ce dispositif est conforme aux normes permis-exemptes du Canada RSS d'industrie. L'opération est sujette aux deux conditions suivantes : (1) ce dispositif peut ne pas causer l'interférence, et (2) ce dispositif doit accepter n'importe quelle interférence, y compris l'interférence qui peut causer le fonctionnement peu désiré du dispositif.

Table of Contents

Preface	17
Chapter 1: Introduction	19
Key Features and Supported Protocols	20
Wireless Operating Modes	20
Available Network Services	20
Device Management	20
Network Security	21
Requirements	21
Installation Settings	21
Equipment and Configuration	22
Accessories	22
Product Variations	23
WavePoint 10e Labels	23
Sample: Configuration Label	23
Sample: Port Assignment Label	23
WavePoint™ Components	24
Data Connectors	24
RF Connectors	24
Certified Antennas	25
Antenna Installation Warning	25
900MHz Antennas	25
2.4GHz Antennas	26
5GHz Antennas	26
Antenna Installation	27

Placement Considerations	27
Transmit Power Settings	28
RF Loss	28
WavePoint™ EIRP Limits	29
RF Considerations for 2.4 GHz ISM Band	29
Peak Power Output	29
Point-to-Point Link	30
Guidelines	30
Point-to-Multi-Point Link	31
RF Considerations for 900MHz ISM Band	31
WavePoint™ GUI to Actual RF Power	31
Connect Power	32
Network Deployment Scenarios	32
Wired Access	33
Wireless Access	33
Multiple Repeaters	33
Connecting and Logging In	33
Configuration Pages	35
Searching for Menus	36
Chapter 2: Configuring Basic WavePoint™ Network Features	37
Setting the Device IP Address and Subnet	38
IPv4 Networks - Set the IP Address and Subnet	38
Reserved Subnets	38
Procedure	38
Enabling and Configuring DHCP	39

IPv4 Addressing - Enable and Configure DHCP	39
Reserving IP Addresses	41
Reserve IP Addresses in an IPv4 Network	41
Delete a Specific LAN Reserved IP Address	41
Delete all Reserved IP Addresses	42
Using Multiple WANs or a Single WAN	42
Indicate the Number of WANs in Use	42
Configuring the WAN in an IPv4 Network	43
Defining WAN Connections Using Static IP Addresses	43
Procedure	43
Defining WAN Connections Using DHCP	44
Procedure	44
Defining WAN Connections Using PPPoE	45
Procedure	45
Defining WAN Connections Using PPTP	46
Procedure	46
Setting the Device Mode	47
Procedure	47
Chapter 3: Additional Data Networking Features	49
Defining Physical WAN Port Settings	49
Procedure	49
Setting Up Auto Fail-Over in Multi-WAN Environments	50
Procedure	50
Balancing Data Flow in Multi-WAN Environments	51
Procedure	51

Restricting the Traffic Type for Each WAN Port	52
Configure a Traffic Restriction (Protocol Binding) for a WAN Port	53
Enable or Disable a Protocol Binding Configuration	54
Delete a Protocol Binding Configuration	54
Binding an IP Address to a MAC Address	54
Procedure	54
Data Routing	55
Defining Static Routing Rules	55
Define a Static IPv4 Route	56
Delete an Existing Static Route	57
Defining Routing Internet Protocol Rules	57
Define RIP in IPv4 Networks	58
Virtual Local Area Networks (VLANs)	58
Enabling VLANs	59
Procedure	59
Defining VLANs in the Network	59
Procedure	59
Delete an Available VLAN	60
Mapping VLANs to LAN Subnets	60
Procedure	61
Associating Port Traffic to a VLAN	62
Procedure	62
WaveMesh	64
WaveMesh Methods	64
Example: WaveMesh Routing Diagram	65

WaveMesh using Auto Selection Method	66
WaveMesh using Branch Selection Method	69
WaveMesh using a List Selection Method	72
Chapter 4: Configuring Wireless Access	79
Example: Point-to-Point Configuration	79
Configuring a Point-to-Point Network	80
Point-to-Multipoint Configuration Examples	80
Example 1: Point-to-Multipoint	80
Setup Procedure	80
Example 2: Point-to-Multipoint	81
Procedure	81
Configuring Wireless Communication	82
Procedure	83
Bench Test Verification of WavePoint™ Configuration	85
Required Materials	85
RF Cabled Test Procedure	86
Open Antenna Test Procedure	86
Defining Advanced Radio Settings	87
Procedure	88
Verify the Wireless Connection	91
Enabling Virtual Access Points	91
Procedure	92
Change a Virtual Access Point's Settings	92
Wireless Security	93
Authorizing Wireless Access	93

Procedure	93
Restricting Access by MAC Address	95
Set the ACL Policy Type	95
Add or Edit MAC Addresses in the ACL List	96
Delete a Device from the List	96
Enabling Rogue Access Point Detection	96
Procedure	96
Review Devices that Attempted to Access the Network	97
Defining EAP Authentication and External RADIUS Servers	97
Configure the EAP Authentication	97
Define an External RADIUS Server	98
Scheduling When Wireless Connections are Available	99
Define and Enable a Schedule for a Wireless Connection	99
Disable a Schedule	100
Chapter 5: Security	101
Firewall Overview	101
Firewall Basic Policies	101
Default Outbound Policy	101
Set the Outbound Traffic Policy	102
Firewall Rules	102
Creating Firewall Rules for IPv4	102
Delete an IPv4 Firewall Rule	105
Disable an IPv4 Firewall Rule	105
Custom Services	105
Configure Custom Service Settings	106

Delete an Existing Custom Service	107
VPN Passthrough	107
Procedure	107
Firewall Schedules	107
Configuring Firewall Schedules	108
Delete a Firewall Schedule	108
Application Rules	109
Configuring Application Rules	109
Delete an Application Rule	110
Application Rules Status	111
VPN Tunnels and IPsec	111
Configuring a VPN Tunnel with IPsec	111
Configuring a Basic VPN Tunnel	111
IPsec Policies	112
Configuring an IPsec VPN Policy	113
Configuring an Auto Policy that uses IKE to Perform Negotiations between Two VPN Clients	116
Configure Phase 2 Auto Policy Parameters	119
Configure Phase 2 Manual Policy Parameters	120
Delete an IPsec VPN Policy	121
Edit the Default DHCP Range	121
Chapter 6: Management and Administration	123
Set Up Remote Access to the WAN Port	124
Procedure	124
User Access Management	124

Users and Groups	125
Users	125
Groups	125
Factory Defined Users	125
admin	125
guest	126
Adding and Editing User Groups	126
Default User Groups	126
Procedure	126
Define and Assign User Group Login Policies	127
Procedure	128
Define User Group Browser Policies	128
Procedure	128
Define User Group IP Policies	129
Procedure	129
Deleting User Groups Policies	130
Delete a Single User Group Policy	130
Delete all User Policies in a List	130
Deleting User Groups	130
Delete a User Group	130
Delete all User Groups	131
Adding and Editing Users	131
Procedure	131
Deleting Users	132
Procedure	132

Software Maintenance	132
Upgrade the WavePoint 10e Software	132
Procedure	133
Back Up Configuration Settings	133
Procedure	134
Restore Configuration Settings	134
Procedure	134
Restoring Factory Default Settings	135
Procedure	135
Rebooting	135
Procedure	135
System Logging	136
Set Up System Event Logging	136
Procedure	137
Logging Packet Traffic	137
Log Packet Traffic in an IPv4 Network	137
Sending Log Messages to Email Addresses	138
Procedure	139
Sending Logs to Syslog Servers	140
Procedure	140
Simple Network Management Protocol (SNMP)	140
Authentication Certificates	141
Adding Trusted Certificates (CA Certificates)	141
Procedure	141
Generating Self Certificate Requests	142

Procedure	142
Adding Active Self Certificates	143
Procedure	144
Deleting Certificates	144
Delete a Single Certificate	144
Delete all Certificates	144
Setting the Date and Time	145
Use an NTP Server to Set the Date and Time	145
Manually Set the Date and Time	146
System Statistics	146
Procedure	147
Chapter 7: Diagnostics and Troubleshooting	149
General Troubleshooting	149
Internet Connection and Browser Display	149
Cannot Access the Configuration Pages from a Computer on the LAN	149
Configuration Changes are not Saving	150
WavePoint 10e cannot Obtain an IP address from the ISP	150
WavePoint 10e can Obtain an IP address but the PC is Unable to Load Internet Pages	150
Date and Time	151
The Date Shown in the Log Files is January 1, 1970	151
The Time is off by One Hour	151
Chapter 8: Installation Instructions	153
Attach the DIN Rail Bracket	154
Attach the Mounting Flanges	154
Appendix A: Factory Default Settings	155

Appendix B: WavePoint™ Configurations	157
WP10e-R100-100-100	157
WP10e-S100-100-100	157
WP10e-S200-101-100	157
WP10e-T100-100-100	158
WP10e-T200-101-100	158
Glossary	159
Index	161

Preface

This document provides information to configure and setup the **WavePoint 10e** device and includes:

- 1 An introduction to the **WavePoint 10e** device and its key features.
- 1 Physical components of the device including its ports and LEDs.
- 1 Configuring a basic **WavePoint 10e** network.
- 1 Setting up wireless access.
- 1 Using a **WavePoint 10e** for local communication or as a Wi-Fi hotspot.
- 1 Performing general administrative tasks (e.g., setting up users, defining the system time).
- 1 Performing basic diagnostics, including troubleshooting tips.

The **WavePoint 10e** has a variety of configurations for installation flexibility.

Note: The information provided in this documentation assumes the user has a general understanding of networking devices (e.g., routers, bridges, etc.) and Ethernet and RF communication.

Contacting FreeWave Technical Support

For up-to-date troubleshooting information, check the **Support** page at www.freewave.com.

FreeWave provides technical support Monday through Friday, 7:30 AM to 5:30 PM Mountain Time (GMT -7).

- 1 Call toll-free at 1.866.923.6168.
- 1 In Colorado, call 303.381.9200.
- 1 Contact us through e-mail at moreinfo@freewave.com.

Printing this Document

This document is set to print double-sided with a front cover and a back cover. Viewing this document online with a PDF viewer, may show pages intentionally left blank to accommodate the double-sided printing.

Documentation Feedback

Send comments or questions about this document's content to techpubs@freewave.com. In the email, include the title of the document or the document's part number and revision letter (found in the footer).

Chapter 1: Introduction

WavePoint 10e is a powerful, end-to-end wireless networking and communications platform. It comprises a product family of networking devices to solve network infrastructure and communications needs. The flexible **WavePoint 10e** platform delivers high-speed broadband data communications across an entire network and to any environment.



WavePoint 10e provides:

- 1 Flexible installations on communication towers, rooftops, and street light poles with diverse power and backhaul and antenna options.
- 1 Multiple applications such as voice, Internet access, video surveillance, sensory data, and SCADA.

This chapter introduces **WavePoint 10e** and provides details about:

- 1 [Key Features and Supported Protocols on page 20](#)
- 1 [Requirements on page 21](#)
- 1 [Accessories on page 22](#)
- 1 [Product Variations on page 23](#)
- 1 [Certified Antennas on page 25](#)

Key Features and Supported Protocols

The **WavePoint 10e** provides an industrial networking solution for a license-exempt market and includes these features and standard networking technology and protocols.

Wireless Operating Modes

Configurations for the **WavePoint 10e** include:

- 1 **Wireless mode:** Access Point / Repeater / Client that can operate concurrently in the 900 MHz, 2.4 GHz, and 5 GHz bands.
- 1 **Router mode:** Network Address Translation (NAT) / Router / Bridge

For information about how **WavePoint 10e** fits into a network deployment, see [Network Deployment Scenarios on page 32](#).

Available Network Services

The networking services and protocols **WavePoint 10e** provides are:

- 1 Configurable MTU and PMTU discovery when set up as an access point.
- 1 DHCP MAC filtering and MAC binding.
- 1 DHCP server or client.
- 1 Dynamic DNS clients.
- 1 Multi-instance DHCP server on WLAN.
- 1 Multiple LAN subnets.
- 1 PPPoE, PPTP client
- 1 RIPv1 and RIPv2.
- 1 Static and dynamic IP addressing.
- 1 Static and dynamic routing.
- 1 TCP, UDP, and ICMP protocols.
- 1 VLAN setup.
- 1 VPN Tunneling and Transport.

Device Management

Each **WavePoint 10e** is configured and monitored through a web browser interface.

The management options are:

- 1 Policy definition for when the **WavePoint 10e** is on and listening for network traffic.
- 1 Remote access and provisioning.

- 1 Logging services to monitor and track system performance using email logs, alerts, and external SYSLOG servers.
- 1 Network Time Protocol (NTP).
- 1 Unlimited users definition (subject to the network capacity).
- 1 Over the air firmware updates.

Network Security

The security features **WavePoint 10e** provides to ensure the data passed through the network is secure are:

- 1 Device certificates
- 1 Hidden, guest, and maintenance SSIDs
- 1 IPsec
- 1 MAC address filtering
- 1 RADIUS for authentication.
- 1 Rogue AP detection
- 1 SSL and SSH secured management
- 1 TCP Establish
- 1 VLAN-based per-SSID isolation
- 1 WPA, WPA2

Requirements

Important: Use the www.freewave.com/home/WavePointLogin site to download the latest **WavePoint 10e** software. Updating the software to the latest version provides the best experience with **WavePoint 10e**.

Installation Settings

Attention Network Administrator! Complete the information in this table.

SSID: _____ (8-64 ASCII characters. The SSID field is case sensitive.)	
Security Mode:	Security Key: (This field is case sensitive.)
IP Address:	Subnet Mask:
DHCP Setup Mode:	Max Range: (Double the distance of the longest link in Km)

Equipment and Configuration

This equipment and configurations are needed prior to the initial **WavePoint 10e** setup and installation:

- 1 A computer or laptop with:
 - 1 Windows 7 operating system.
 - 1 A web browser to access the web pages for configuration.
 - 1 Supported browsers include: Microsoft Internet Explorer 9 and 10, Firefox 27, Google Chrome, Safari, and Opera.

Note: Configuration pages are NOT optimized for browsers on mobile devices (e.g., tablets, smart phones, etc.)

- 1 A device with wireless capability to verify the wireless connection.
- 1 A NEMA-4 rated enclosure (for outdoor installations only).
- 1 A screwdriver for attaching mounting brackets and power connector.

FreeWave Recommends: A Path Study, as applicable, for the network site.

Accessories

The items shipped in the box are:

- 1 The **WavePoint 10e** device.
- 1 The **WavePoint 10e** Quick Start Guide.
- 1 A CAT 5e Ethernet cable.
- 1 An AC power adapter.

These options are available and, if ordered, are included in the shipping box:

- 1 An RJ-45-to-DB9 serial cable.
- 1 A mounting kit.

Contact a FreeWave reseller or FreeWave Technical Support if the package is missing parts or any parts were damaged during shipping.

Note: Antennas are shipped separately.

Product Variations

WavePoint™ has a variety of configurations offering multiple feature sets. This manual describes these features and indicates the features that are only available on certain models.

To identify the variation and model number of the **WavePoint 10e**, see the product label on the back panel.

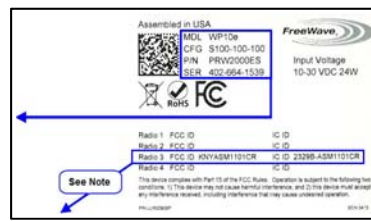
Note: For a list of features included in each Model, see the [WavePoint™ Configurations](#) on page 157.

WavePoint 10e Labels

The labels on the back of the **WavePoint 10e** contain information about the device's port assignments and Configuration (CFG).

Sample: Configuration Label

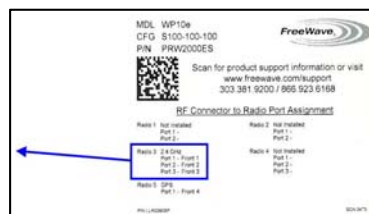
1. MDL - WP10e
2. CFG - S100-100-100
3. P/N - PRW2000ES
4. SER - 123-456-7890



Note: The **Configuration** label identifies the installed radios. This sample label shows only one radio (Radio 3) installed in this **WavePoint 10e** device.

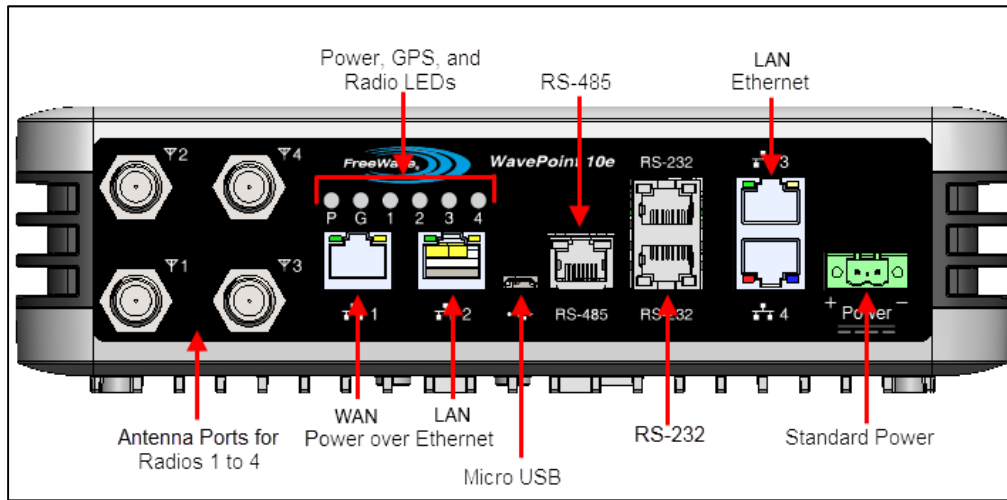
Sample: Port Assignment Label

1. Radio 1 - Not Installed
2. Radio 2 - Not Installed
3. Radio 3 - 2.4 GHz
 - a. Port 1 - Front 1
 - b. Port 2 - Front 2
 - c. Port 3 - Front 3
4. Radio 4 - Not Installed



Note: The **Port Assignment** label designates which RF ports (TNC connectors on the **WavePoint™** device) are used by which radio.

WavePoint™ Components



Data Connectors

Quantity	Connector
4	RJ-45 connector for 4 Ethernet ports
3	RJ-45 connector for: <ul style="list-style-type: none"> ┆ 2 - RS-232 ┆ 1 - RS-485
1	Micro USB connector
1	Power connector used for DC power

RF Connectors

Module	Maximum Connectors
900MHz RF modules	2 TNC connectors for spatial diversity*
2.4GHz RF modules	3 TNC connectors for 3x3 MIMO operation*
5.8GHz RF modules	3 TNC connectors for 3x3 MIMO operation*
Cellular module	1 RF connector – TNC
GPS module	1 RF connector – TNC

*One active RF port is a typical configuration.

Note: Refer to the label on the [WavePoint 10e](#) to determine the exact RF Connector configuration. A description of the labels are in [WavePoint 10e Labels on page 23](#).

Certified Antennas

A **WavePoint™** can have multiple radio modules installed, each potentially operating at different frequencies. The model number reflects the number and frequency of the radios installed inside the **WavePoint™** device and determines the type of antennas that can be used.

Important: The use of an antenna with a higher gain or a different type of antenna other than those approved requires new FCC approval and should not be used.

Antenna Installation Warning

Important: This section provides the required FCC warning information for working in proximity of the **WavePoint™** antennas.

1. All antenna installation and servicing must be performed by qualified technical personnel only.
 - a. When servicing the antenna, or working at distances closer than those listed below, verify the transmitter has been disabled.
 - b. Output is measured at the antenna terminal of the transmitter.
 - c. The antennas used for the **WavePoint™** must be fixed-mounted on outdoor permanent structures to provide the minimum separation distances described in this filing for satisfying RF exposure compliance requirements.
 - d. When applicable, RF exposure compliance may need to be addressed at the time of licensing, as required by the responsible FCC Bureaus, including antenna co-location requirements of §1.1307(b)(3).
2. Typically, the antenna connected to the transmitter is a directional (high gain) antenna, fixed-mounted on the side or top of a building, or on a tower.
 - a. Depending upon the application and the gain of the antenna, the total composite power could exceed 20 watts EIRP.
 - b. The antenna location must only be accessible by qualified technical personnel.
 - c. Under normal operating conditions, no other person can touch the antenna or approach within 3.05 meters of the antenna.

Note: These antennas have been approved for use with **WavePoint 10e** and the designated Tx Streams.

900MHz Antennas

Note: Separation minimum RF safety distances are required for FCC RF exposure compliance.

900 MHz Antennas					
Type	Antenna Model	Gain	No of Tx Streams	Channel Size	Minimum RF Safety Distance
Omni	Wavelink - PRO902-11	11dBi	2	20 MHz	94cm
Yagi	Wavelink - PRO890-16	16dBi	2	20 MHz	260cm

2.4GHz Antennas

Note: Separation minimum RF safety distances are required for FCC RF exposure compliance.

2.4GHz Antennas					
Type	Antenna Model	Gain	No of Tx Streams	Channel Size	Minimum RF Safety Distance
Dipole	98618MNXX001	5dBi	3	20 MHz 40 MHz	20cm
Omni	ZDAQJ2400-12	12dBi	1	20 MHz 40 MHz	20cm
Yagi	YA240016	16dBi	1	20 MHz 40 MHz	20cm
60 degree sector	RadioWaves SEC-25V-60-17HP	17.5dBi	2	20 MHz 40 MHz	20cm
Directional Panel	Superpass SPAPG20	20.5dBi	2	20 MHz 40 MHz	25cm
Dish	RadioWaves SPD4 - 2.4NS	27dBi	3	20 MHz 40 MHz	40cm

5GHz Antennas

Note: Separation minimum RF safety distances are required for FCC RF exposure compliance.

5GHz Antennas					
Type	Antenna Model	Gain	No of Tx Streams	Channel Size	Minimum RF Safety Distance
Dipole	98618UNXX000	7dBi	1	20 MHz 40 MHz	20cm
Omni	ZDAQJ5800-12	12dBi	1	20 MHz 40 MHz	20cm
Yagi	Y5815	15dBi	1	20 MHz 40 MHz	26cm
Directional Panel	RadioWaves FP2-5-28	28.2dBi	2	20 MHz 40 MHz	71cm
Dish	RadioWaves SPD4-5.2S	34.9dBi	3	20 MHz 40 MHz	154cm

Antenna Installation

Antennas must be professionally installed on a fixed, mounted, and permanent structure to satisfy RF exposure requirements.



Warning! Any antenna placed outdoors must be properly grounded. Use extreme caution when installing antennas and follow **ALL** manufacturer instructions included with the antenna.

Mise en garde ! Toute antenne placée à l'extérieur doit être correctement mise à la terre. Soyez très prudent lors de l'installation d'antennes et suivre toutes les instructions du fabricant fournies avec l'antenne.

Per FCC regulations, any antenna used with transceivers must be an approved antenna that has comparable performance parameters.

Placement Considerations

Placement of the [WavePoint 10e](#) is likely to have a significant impact on its performance. The key to the overall robustness of the RF link is the height and alignment of the antenna. Other antennas in close proximity are a potential source of interference. See [Diagnostics and Troubleshooting on page 149](#) for more information.

FreeWave Recommends: In general, FreeWave units with a higher antenna placement have a better communications link.

Use grid and dish antennas with low attenuation cable in lengths ranging from 3 to 100 feet.



To help optimize an antenna location, have FreeWave complete a free Path Site study.

Contact a FreeWave sales representative for a Path Study form.

Email the completed form to pathstudy@freewave.com.

Transmit Power Settings

The **Transmit Power** parameter is the output power of the transceiver.

Important: The information in this section describes the FCC maximum Equivalent Isotropically Radiated Power (EIRP) regulations.

The transceiver output power level must be set to satisfy the maximum requirements in the country the **WavePoint 10e** is installed in.

The installer is responsible for ensuring that an installation is within EIRP emission limits.

When setting up the network, consider the power gain that an antenna may add and the power loss through cabling. Adjust the **Transmit Power** on the transceiver so it does NOT exceed the maximum EIRP for the regulating body where **WavePoint 10e** is installed. Use the tables to determine the correct **Transmit Power** parameter setting for each transceiver in the network.

When calculating the power gain, use **Equation 1** to determine the total output power at the antenna.

$$\text{Transceiver Output} - \text{Losses} + \text{Antenna Gain} = \text{Output Antenna Power}$$

Equation 1

Note: Loss calculations should include cable, connectors, surge protectors, etc.

RF Loss

Cable losses for high frequency systems are one of the main losses to consider in **Equation 1**.

This table shows the RF loss at various cable lengths.

Example: Using the information in the table, a cable as short as 25 feet can have an attenuation of almost 1dB.

Cable Type	Attenuation (db/100 ft)	Run Length (ft)	Total Run Attenuation (dB)
LMR400	3.93	25	1.0
LMR500	3.154	25	0.8
LMR600	2.518	25	0.6
LMR900	1.709	25	0.4

WavePoint™ EIRP Limits

This table provides a summary of the FCC limits for the different frequencies available in WavePoint™.

Note: See the www.fcc.gov site for the most up-to-date information.

EIRP Limits				
Frequency Band	PTP Max EIRP (dBm)	PTP Max EIRP (watts)	PTMP Max EIRP (dBm)	PTMP Max EIRP (watts)
900 ISM (902-928 MHz)	36	4	36	4
2.4 ISM (2.4 - 2.483.5 GHz)	50	158	36	4
UNII - 1 (5.15 - 5.25 GHz)	22	0.16	22	0.16
UNII - 2a (5.25 - 5.35 GHz)	29	0.8	29	0.8
UNII - 2c (5.470 - 5.725 GHz)	29	0.8	29	0.8
UNII - 3 (5.725 - 5.850 GHz)	53	200	35	3.2

RF Considerations for 2.4 GHz ISM Band

The FCC regulations for 2.4 GHz ISM Band are different for Point-to-Point (PTP) and Point-to-Multi-Point (PtMP) links.

Peak Power Output

The maximum peak output power of the intentional radiator cannot exceed 1.000 Watts.

Digital Transmission Systems (MHz)	Output Limit (Watts)
2400-2483.5	1.000

Important: Point-to-Point applications operating in the 2400-2483.5 MHz band may employ transmitting antennas with directional gain greater than 6 dBi provided the maximum peak output power of the intentional radiator is reduced by 1 dB for every 3 dB that the directional gain of the antenna exceeds 6 dBi.

Example:

- 2.4 GHz with a 24 inch dish has a maximum output of 24 dBm.
- 2.4 GHz with a 27 inch dish has a maximum output of 23 dBm.

Point-to-Point Link

Note: The FCC permits a maximum of 36dBm EIRP when using a transmitter set to 30dBm.
 However, for each 1dBm reduction in the transmitter power, the FCC permits an increase in antenna gain of 3dBi.

Extrapolating this rule through different maximum power settings on the **WavePoint™** provides these guidelines.

Guidelines

Maximum Power from Transmitter	Maximum Antenna Gain (dBi)	EIRP (dBm)
30dBm	6	36
29dBm	9	38
28dBm	12	40
27dBm	15	42
26dBm	18	44
25dBm	21	46
24dBm	24	48
23dBm	27	50
22dBm	30	52

Note: FreeWave has certified a dish antenna with a maximum gain of 27dBi. This sets the maximum EIRP of a FreeWave system to 50 EIRP. Dishes below 27dBi can be used with a corresponding reduction in total EIRP.

Point-to-Multi-Point Link

For Point-to-Multi-Point links, the FCC permits 1 Watt output power at the transceiver and 36dBm (4 Watts) at the antenna.

RF Considerations for 900MHz ISM Band

The 900MHz links requires these special considerations:

- 1 A Path Study is needed to confirm the right RF characteristics of the link.
- 1 The noise floor should be sampled at each site using similar antennas to the ones expected to be deployed.

WavePoint™ GUI to Actual RF Power

This table identifies the WavePoint™ GUI settings on the **Advanced Radio** window and their corresponding actual power out of the radio.

Note: Click **Wireless LAN > Radios > Advanced** to open the window.

GUI Setting (dBm)	Actual Tx Power Out of Radio (dBm)	GUI Setting (dBm)	Actual Tx Power Out of Radio (dBm)
11	23	18	30
10	22	17	29
9	21	16	28
8	20	15	27
7	19	14	26
6	18	13	25
5	17	12	24