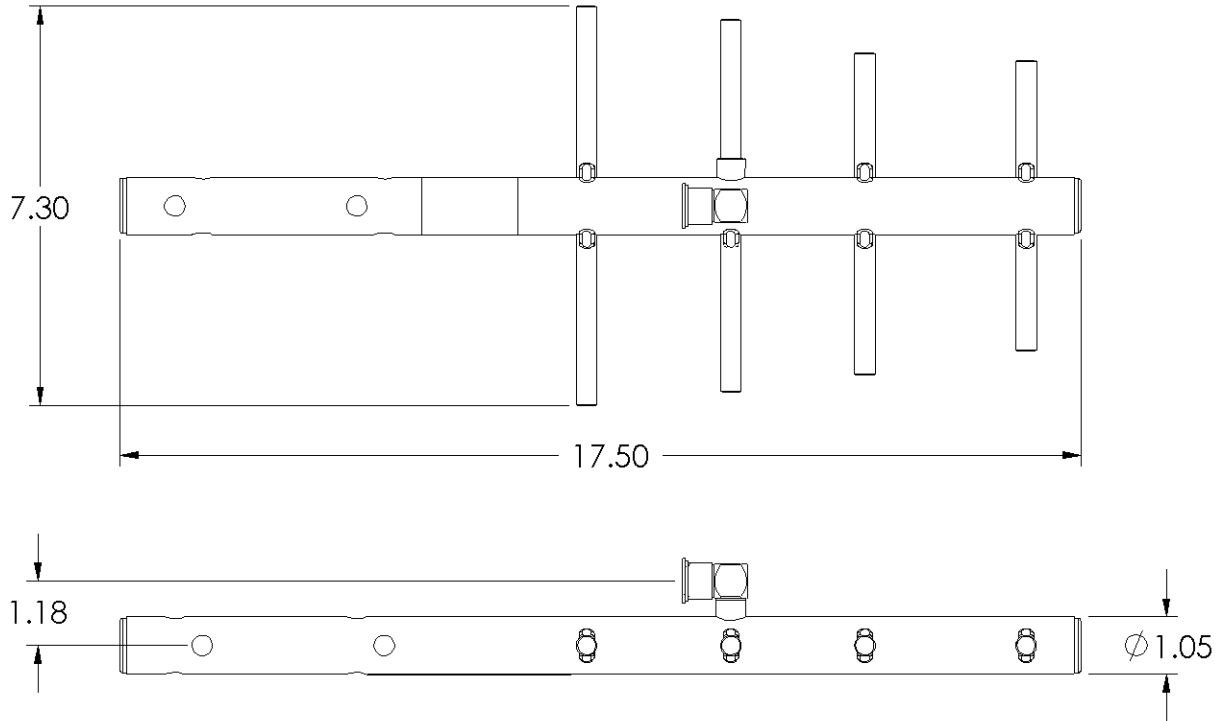
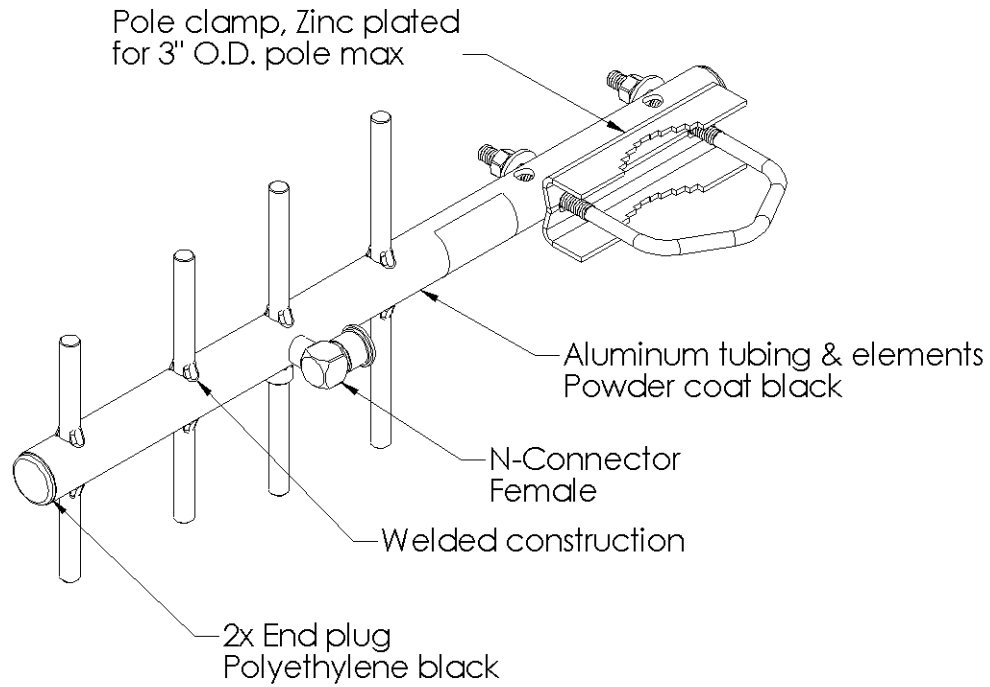
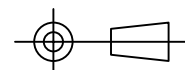


YAGI 4 ELEMENT 8dBi 890-960 MHz
N FEMALE CONN WELDED ELEMENTS

YA6900W
 Series : ANTENNA



All dimensions are in inches



Issue : 03 36

In the effort to improve our products, we reserve the right to make changes judged to be necessary.

YAGI 4 ELEMENT 8dBi 890-960 MHz
N FEMALE CONN WELDED ELEMENTS

YA6900W
 Series : **ANTENNA**

ELECTRICAL CHARACTERISTICS

Frequency :.....	890-960 GHz
Nominal Impedance :.....	50 Ω
VSWR :.....	2:1 Max
Gain (Radiating element) :.....	8 dBi ± .5 dB
Radiation Pattern	
-3 dB beamwidth	
Horizontal Plane :	86 ° ± 2 °
Vertical Plane :	58 ° ± 2 °
Side lobe level	
Horizontal Plane :	-15 dB
Vertical Plane :	-15 dB
Cross Polarization level	
Horizontal Plane :	-15 dB Typ
Vertical Plane :	-15 dB Typ
Front to back ratio :.....	-15 dB min
Polarization :	Vertical or Horizontal
Power withstanding :.....	300 W
Connector type :.....	N-Female

YAGI 4 ELEMENT 8dBi 890-960 MHz
N FEMALE CONN WELDED ELEMENTS

YA6900W
Series : ANTENNA

TESTS ENVIRONMENTAL

Test report no 2002.46.8550 Rev -

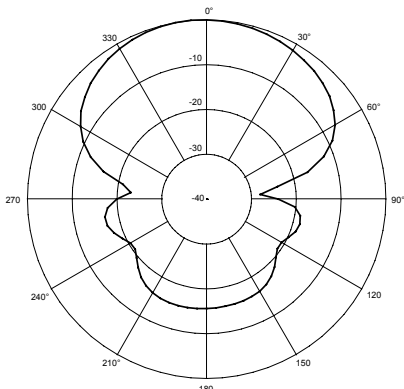
- (1) Test following IEC 68-2-1 Meth Aa Duration: 16 hours @ -40C
- (2) Test following IEC 68-2-2 Meth Ba Duration: 16 hours @ +85C
- (3) Test following IEC 68-2-14 Meth Nb Temperature changing rate:
0,5°C/min Time at each temperature: 3 hours Number of cycles: 6
- (4) Test following IEC 68-2-56 Temperature: +30°C Relative humidity: 93%
Duration: 21 days
- (5) Test following IEC 68-2-30 Variant 1 Temperature: +30°C Relative
humidity: 95% Number of cycles: 6
- (6) Test following IEC 68-2-18 Rb: impacting water method 2.2 Flow rate:
15mm/min Duration: 30 min
- (7) Test following IEC 68-2-11 Duration: 7 days Concentration: 5g/l-PH=7^{±0.5}
- (8) Test following DIN 41640 Concentration: H2S: 1ppm, SO2: 10 ppm
Duration: 4 days Temperature: 25°C RH: 75%
- (9) Test following IEC 68-2-6 Displacement: 3mm-2/9Hz Acceleration: 10
m/s²-9/200Hz Number of directions:3, 5 double sweeps in each directions
at a sweep rate of 1 octave/min
- (10) Test following IEC 68-2-6 Displacement: Level (ASD): 1M²/S³-10/200Hz
0,3 m²/s³-200/2000Hz Duration: 30 min per direction Number of
directions: 3
- (11) Test following IEC 68-2-29 Meth Eb Level: 100m/s²Duration: 11ms
Shape: half sine pulse Number of bumps:500 per direction: 6
- (12) Test following IEC 68-2-32 Height:1.0m Duration: 1 fall for each face

YAGI 4 ELEMENT 8dBi 890-960 MHz
N FEMALE CONN WELDED ELEMENTS

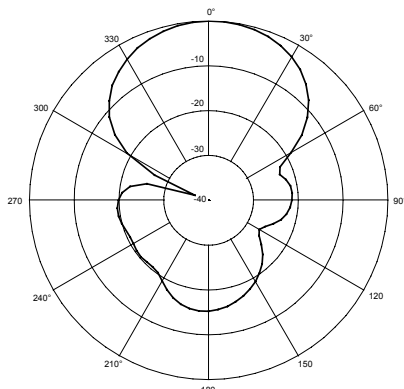
YA6900W
Series : ANTENNA

CURVES

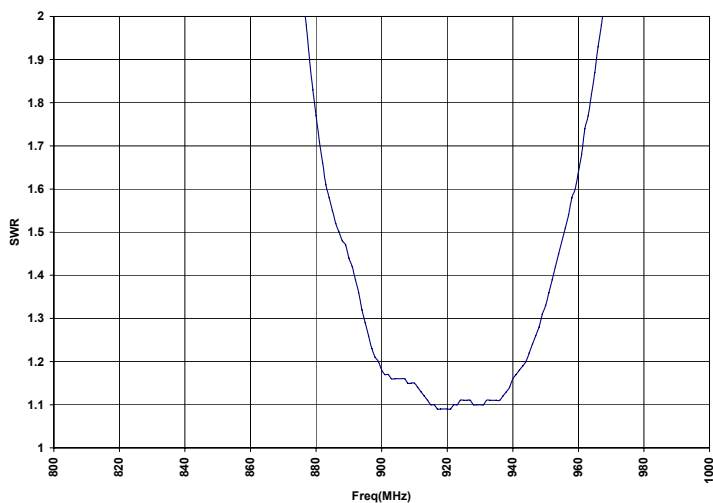
Horizontal plane



Vertical plane



VSWR



Issue : 03 36

In the effort to improve our products, we reserve the right to make changes judged to be necessary.