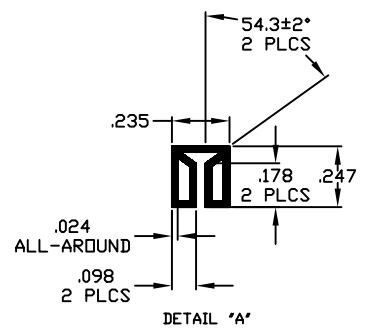


REVISIONS			
REV	DESCRIPTION	DATE	APPROVED
A	Doc Release ECO	02-01-06	

- NOTES:
- MATL: .007 THK VELVET TEXTURE POLYCARBONATE, ADHESIVE WITH BACKING ON FAR SIDE 3M COMPANY #468, TOLERANCE ON THICKNESS = +/- .002.
  - FINISH: ALL LETTERING AND LINES TO BE PAINTED BLACK, BACKGROUND COLOR TO BE PAINTED WHITE.
  - UNLESS OTHERWISE SPECIFIED, FONT IS ARIAL, HEIGHT AS SHOWN.
  - FONT IS ARIAL NARROW, HEIGHT AS SHOWN, ELLIPSE SIZE IS .035 HORIZONTAL X .045 VERTICAL AXIS, ELLIPSE LINE THICKNESS TO BE .0015 THICK APPROX, MUST BE LEGIBLE ON LABEL AT 1/1 SIZE.



TOLERANCE BLOCK  
ALL DIMENSIONS IN INCHES  
TOLERANCES:  
UNLESS OTHERWISE SPECIFIED  
2 PLACE DECIMALS = ±.030  
3 PLACE DECIMALS = ±.020  
4 PLACE DECIMALS = ±.005  
ANGLES = ±.5°  
DO NOT SCALE DRAWING  
REMOVE ALL BURRS AND  
SHARP EDGES

APPLICATION:	AUTOCAD
ENGINEER:	J. Lafond
CHECKED BY:	MM
ENGINEERED BY:	SCP, INC.
DRAWN DATE:	02-01-06
THIRD ANGLE PROJECTION	

THIS DRAWING IS THE PROPRIETARY PROPERTY OF SECURE CARE PRODUCTS, INC. AND IS NOT TO BE DUPLICATED OR REPRINTED WITHOUT THE EXPRESSED WRITTEN KNOWLEDGE OR PERMISSION OF SECURE CARE PRODUCTS INC.

SECURE CARE PRODUCTS  
39 CHENELL DR. CONCORD N.H. 03301

PRODUCT LABEL,  
"COMPANY" AND "FCC"

MATL:	SEE NOTE 1	SIZE	DWG NO.	REV
FINISH: SEE NOTE 2	D	P00020240	A	

SCALE: 4X @ D SHEET 1 OF 1

FCC Label Location

