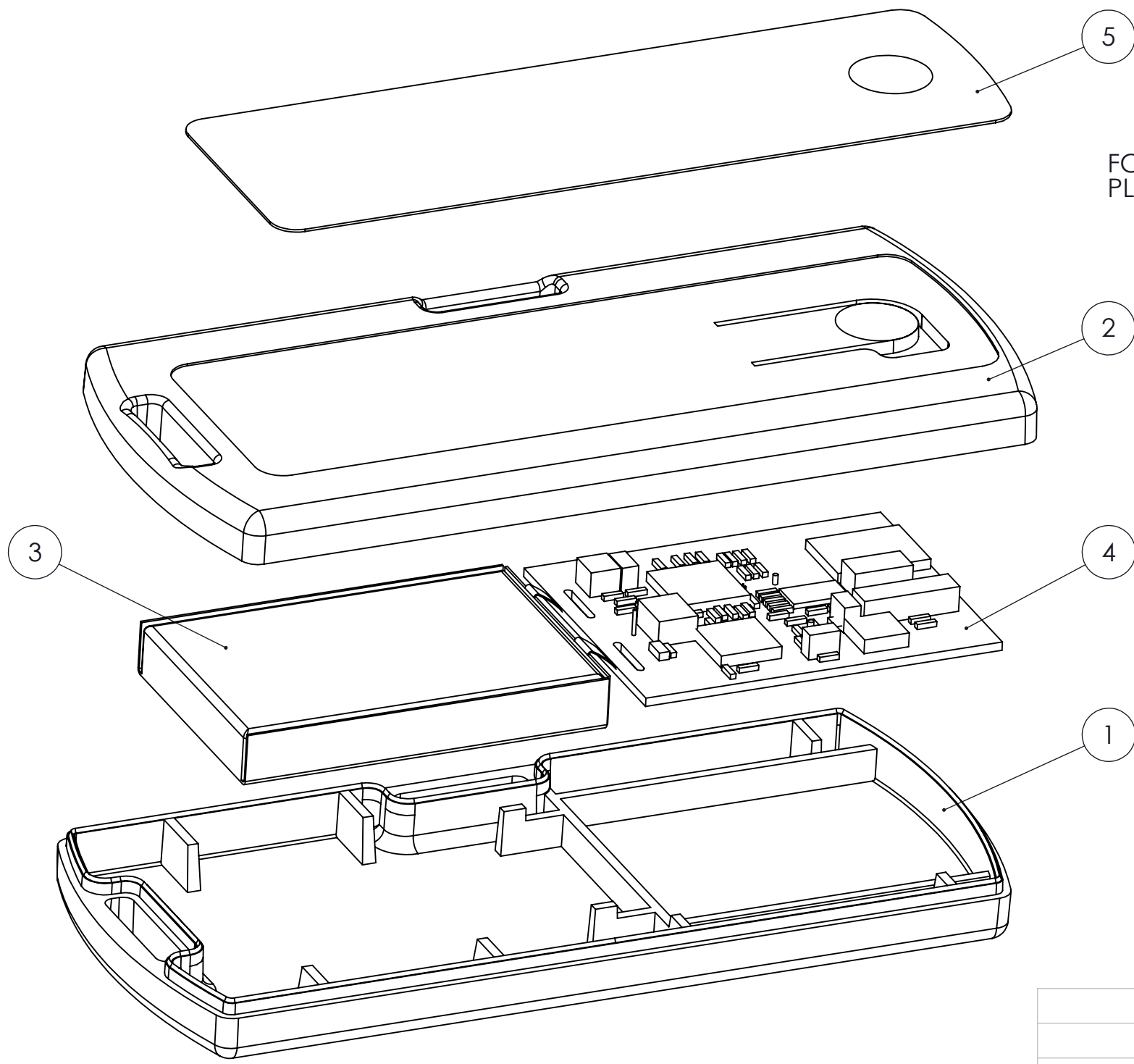


8 7 6 5 4 3 2 1

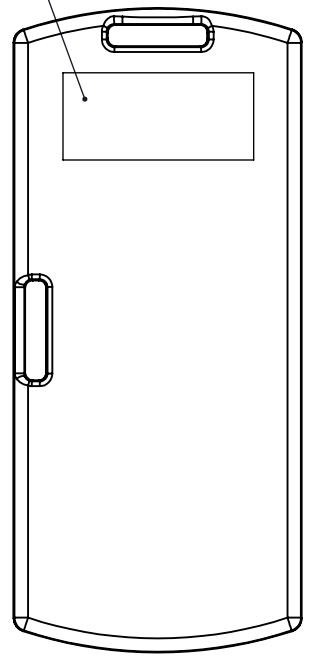
REVISIONS				
ZONE	REV.	DESCRIPTION	DATE	APPROVED
	01	DOC CONTROL RELEASE, ECO 11990	3/22/16	CS
	02	FCC ID LABEL PLACEMENT, ECO12108	7/14/16	CS

D
C
B
A

D
C
B
A



FCC ID LABEL PLACEMENT



ITEM NO.	PART NUMBER	DESCRIPTION	QTY.
1	P21450200	RTLS STAFF TAG BASE	1
2	P21450201	RTLS STAFF TAG COVER	1
3	B39031200	3.0V THIN CELL BATTERY	1
4	P21450010	RTLS ASSET TAG PCB ASSEMBLY	1
5	P21450220	RTLS STAFF TAG LABEL	1

PROPRIETARY AND CONFIDENTIAL
 THE INFORMATION CONTAINED IN THIS DRAWING IS THE SOLE PROPERTY OF SECURE CARE PRODUCTS, LLC. ANY REPRODUCTION IN PART OR AS A WHOLE WITHOUT THE WRITTEN PERMISSION OF SECURE CARE PRODUCTS, LLC IS PROHIBITED.

UNLESS OTHERWISE SPECIFIED:		NAME	DATE	SECURE CARE PRODUCTS, LLC 39 CHENELL DR. CONCORD NH 03301 TITLE: <h1>RTLS STAFF TAG</h1>
DIMENSIONS ARE IN INCHES		DRAWN	J.DIXON 3/22/16	
TOLERANCES:		CHECKED	C.STEVENS 3/22/16	
2 PLACE DECIMAL ±.010		ENG APPR.		
3 PLACE DECIMAL ±.005		MFG APPR.		
4 PLACE DECIMAL ±.002		Q.A.		
ANGLES = ±0.5°		COMMENTS:		
DO NOT SCALE DRAWING		THIRD ANGLE PROJECTION		
REMOVE ALL BURRS AND SHARP EDGES		SIZE B DWG. NO. D21450910 REV 02		
MATERIAL	FINISH	SCALE: 1:1 WEIGHT: SHEET 1 OF 1		
NEXT ASSY	USED ON			
APPLICATION	DO NOT SCALE DRAWING			

8 7 6 5 4 3 2 1