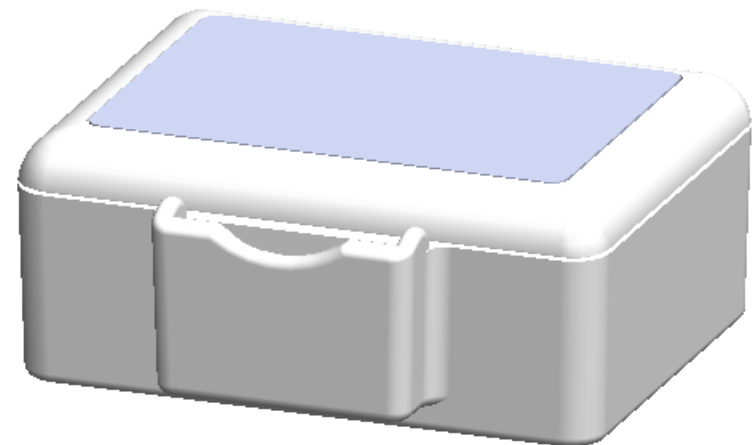
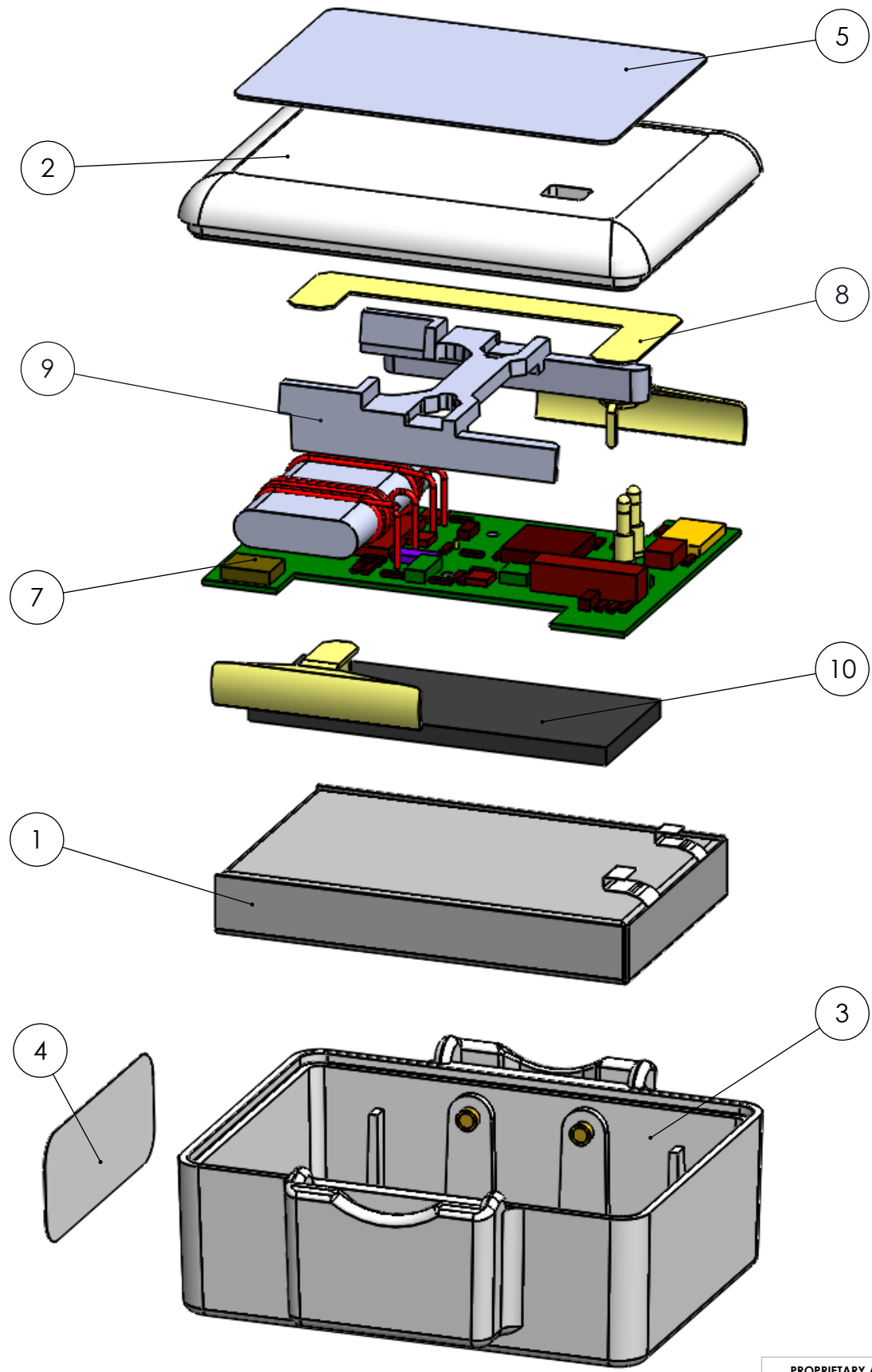


8 7 6 5 4 3 2 1

REVISIONS				
ZONE	REV.	DESCRIPTION	DATE	APPROVED
	000	DRAFT	9/3/15	CS



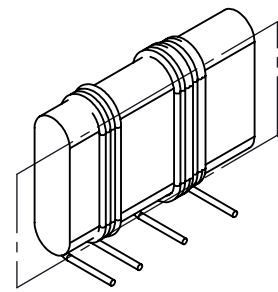
FCC LABEL TO BE PLACE ON THE SIDE OF THE TRANSMITTER AS SHOWN

ITEM NO.	DESCRIPTION	QTY.
1	3.0V THIN CELL BATTERY	1
2	NON-RTLS TRANSMITTER COVER	1
3	TRANSMITTER BASE	1
4	FCC BARCODE LABEL	1
5	TOP LABEL	1
6	INNER CUTBAND CONTACT	2
7	SMART TRANSMITTER CONTROL BOARD ASSEMBLY	1
8	COPPER FOIL ANTENNA	1
9	ANTENNA POSITIONING CRADLE	1
10	BLACK FOAM	1
11	PACKAGING	1
12	FCC LABEL	1

PROPRIETARY AND CONFIDENTIAL
 THE INFORMATION CONTAINED IN THIS DRAWING IS THE SOLE PROPERTY OF SECURE CARE PRODUCTS, LLC. ANY REPRODUCTION IN PART OR AS A WHOLE WITHOUT THE WRITTEN PERMISSION OF SECURE CARE PRODUCTS, LLC IS PROHIBITED.

UNLESS OTHERWISE SPECIFIED:		NAME	DATE	SECURE CARE PRODUCTS, LLC 39 CHENELL DR. CONCORD NH 03301
DIMENSIONS ARE IN INCHES TOLERANCES: 2 PLACE DECIMAL ±.010 3 PLACE DECIMAL ±.005 4 PLACE DECIMAL ±.002 ANGLES = ±0.5° DO NOT SCALE DRAWING REMOVE ALL BURRS AND SHARP EDGES		DRAWN	J.DIXON	
MATERIAL		CHECKED	C.STEVENS	10/8/14
FINISH		ENG APPR.		
NEXT ASSY		MFG APPR.		
USED ON		Q.A.		
APPLICATION		COMMENTS:		
DO NOT SCALE DRAWING		THIRD ANGLE PROJECTION 		TITLE: CUTBAND TRANSMITTER STANDARD SIZE DWG. NO. REV B P20470900 000
		SCALE: 1:1 WEIGHT:		SHEET 1 OF 3

8 7 6 5 4 3 2 1

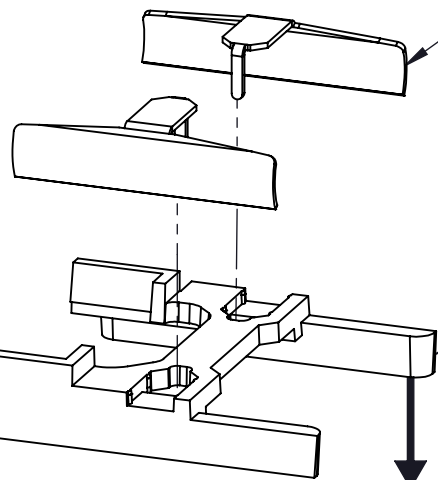
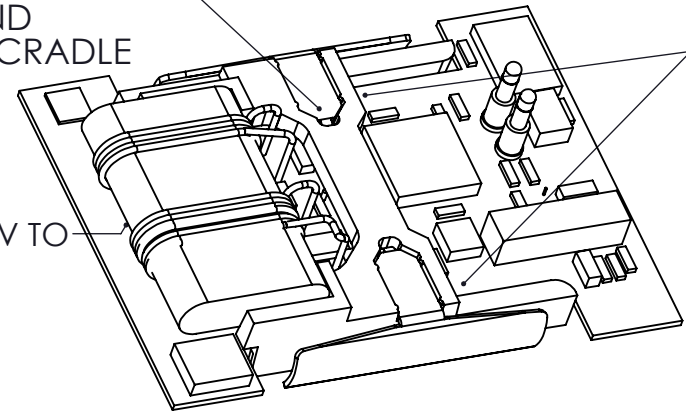


CUT AND PLACE A PIECE OF KAPTON TAPE IN THE AREA SHOWN. TAPE CAN FOLD UP EACH FLAT SIDE OF THE FERRITE, BUT SHOULD NOT COVER THE ROUNDED SIDES

APPLY LIGHT CURING RTV TO SECURE CUTBAND CONTACTS TO THE CRADLE

APPLY LIGHT CURING RTV TO SECURE ANTENNA TO CRADLE AND BOARD

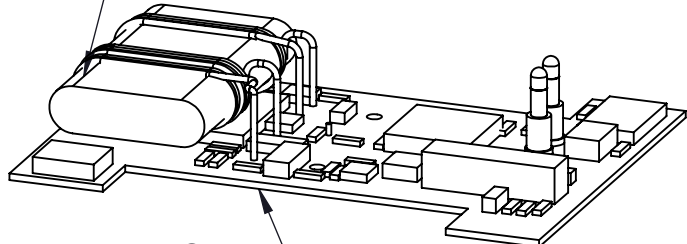
APPLY LIGHT CURING RTV TO SECURE CRADLE TO THE BOARD



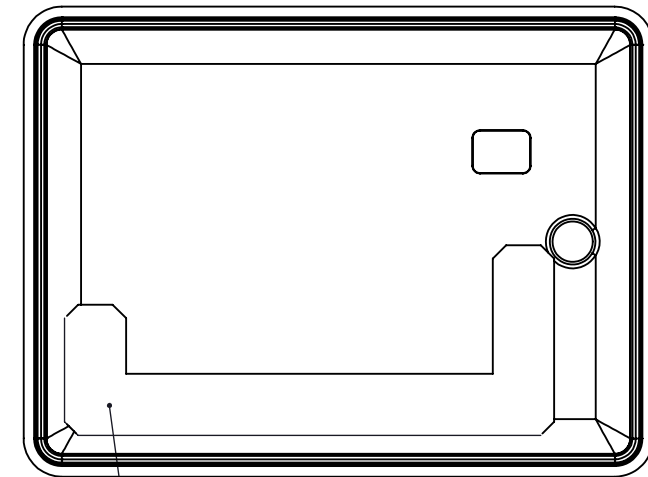
CUTBAND CONTACTS SHOULD FIT INTO THE CRADLE DESIGNATED FOR THIS DESIGN

PLACE CRADLE ON BOARD AND POSITION ANTENNA BETWEEN THE GUIDES

SOLDER THE 4 LEADS ON THE FERRITE TO THE PCB BOARD



TRIM LEADS UNDERNEATH FROM THE FERRITE ANTENNA



POSITION FOIL ANTENNA INTO COVER AS SHOWN. USE ANTENNA ALIGNMENT FIXTURE.

PROPRIETARY AND CONFIDENTIAL
THE INFORMATION CONTAINED IN THIS DRAWING IS THE SOLE PROPERTY OF SECURE CARE PRODUCTS, LLC. ANY REPRODUCTION IN PART OR AS A WHOLE WITHOUT THE WRITTEN PERMISSION OF SECURE CARE PRODUCTS, LLC IS PROHIBITED.

UNLESS OTHERWISE SPECIFIED:

DIMENSIONS ARE IN INCHES
TOLERANCES:
2 PLACE DECIMAL ±.010
3 PLACE DECIMAL ±.005
4 PLACE DECIMAL ±.002
ANGLES = ±0.5°
DO NOT SCALE DRAWING
REMOVE ALL BURRS AND SHARP EDGES

MATERIAL

FINISH

DO NOT SCALE DRAWING

	NAME	DATE
DRAWN	B. PERCOCO	1/11/12
CHECKED		
ENG APPR.		
MFG APPR.		
Q.A.		
COMMENTS:		

THIRD ANGLE PROJECTION

SECURE CARE PRODUCTS, LLC
39 CHENELL DR. CONCORD NH 03301

TITLE: **CUTBAND TRANSMITTER STANDARD**

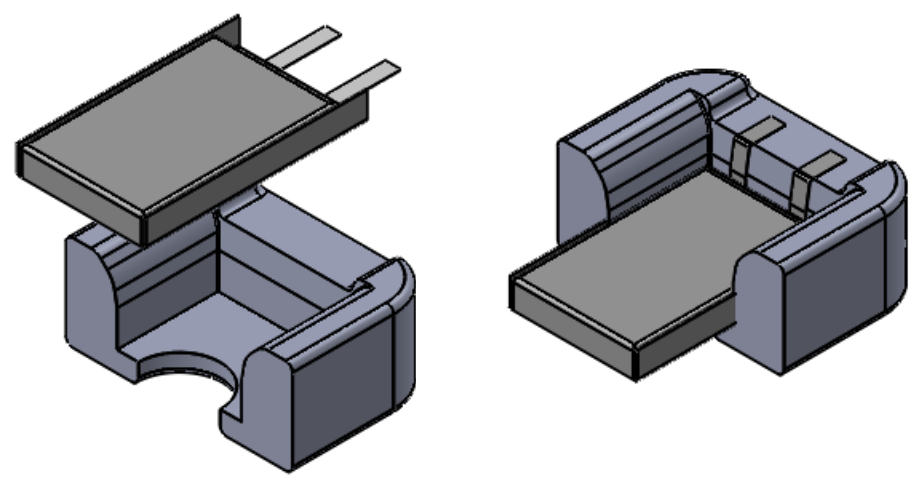
SIZE **B** DWG. NO. **P20470900** REV **000**

SCALE: 1:1 WEIGHT: SHEET 2 OF 3

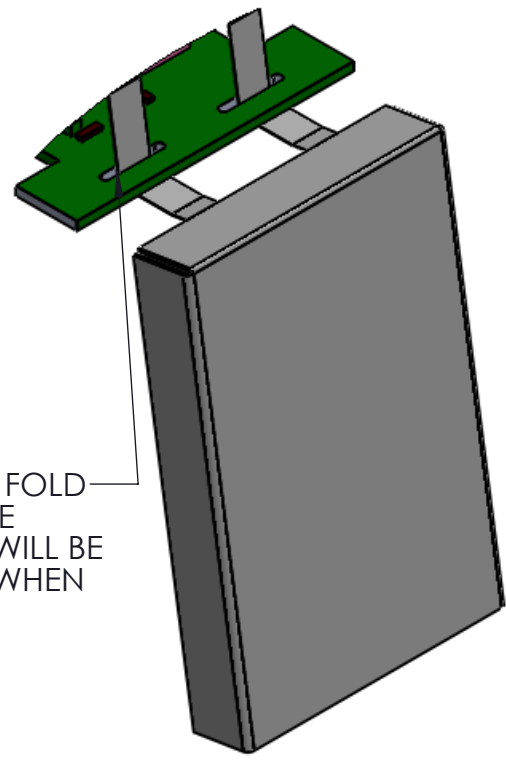
APPLICATION	USED ON
NEXT ASSY	

8 7 6 5 4 3 2 1

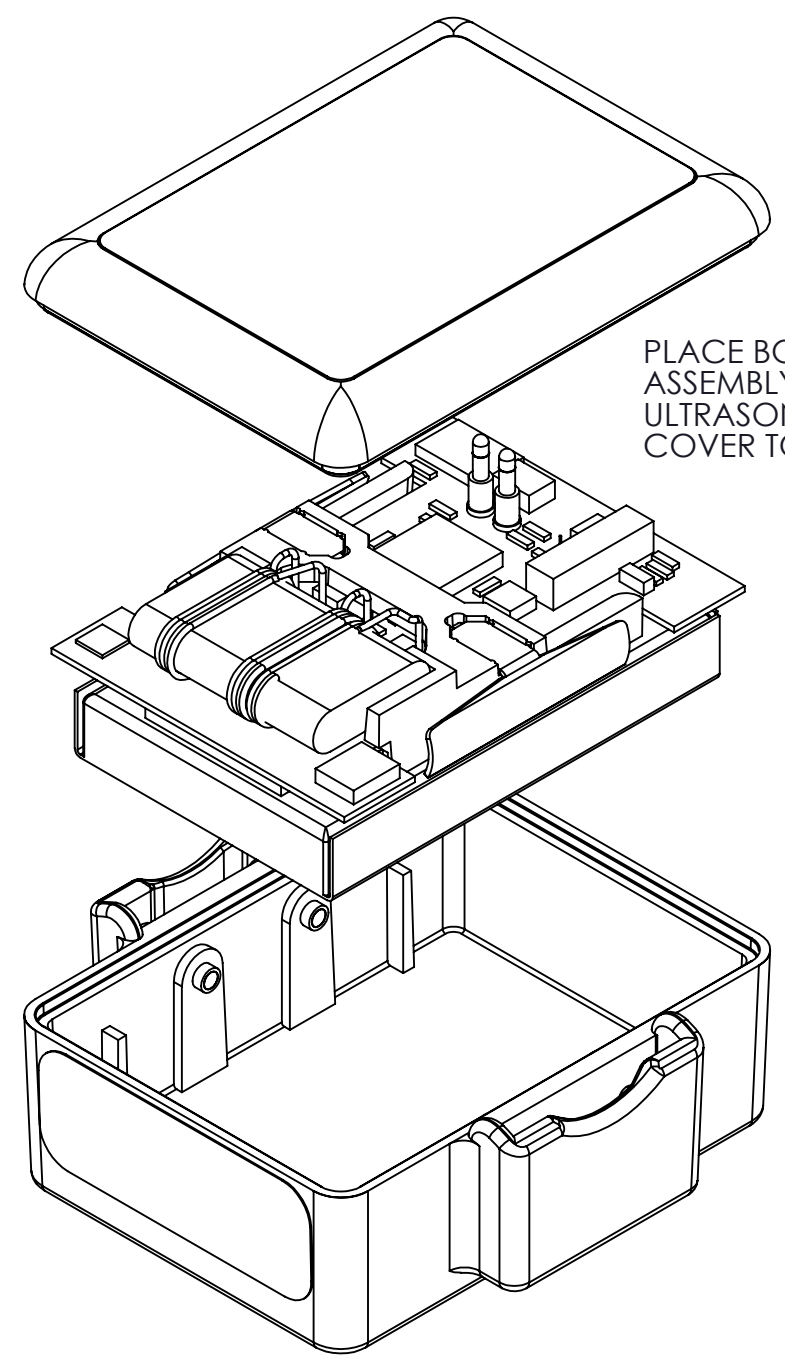
D
C
B
A



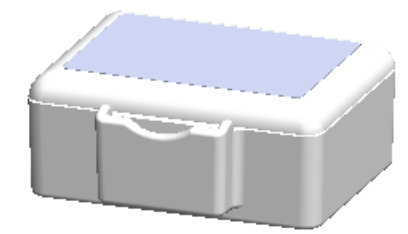
PRESS BATTERY FIRMLY INTO BATTERY FOLDING FIXTURE



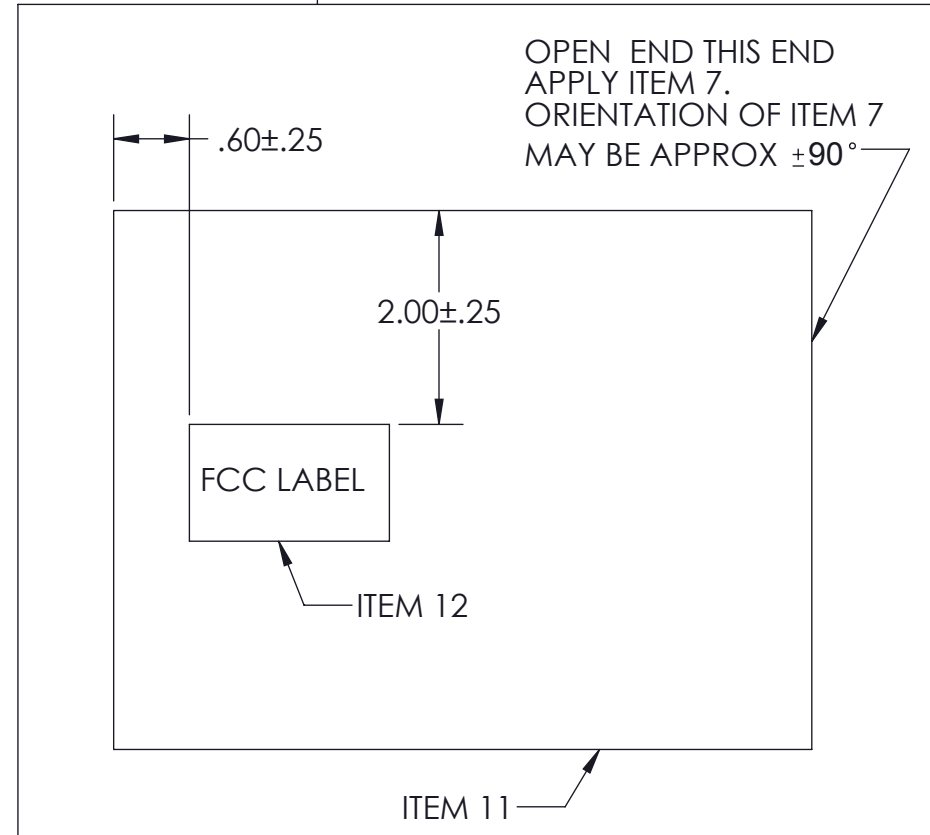
ONCE THE BATTERY IS IN PLACE, FOLD THE TABS OVER THE EDGE OF THE FIXTURE AS SHOWN. THIS FOLD WILL BE WHERE THE PCB BOTTOMS OUT WHEN SOLDERING TO THE BATTERY.



PLACE BOARD AND BATTERY ASSEMBLY INTO BASE, AND ULTRASONICALLY WELD THE COVER TO THE BASE



ONCE THE PART IS WELDED TOGETHER, PLACE LABEL ON TOP WITH HALF OF THE RELEASE LINER STILL ATTACHED SO THE TRANSMITTER CAN BE SWITCHED ON BEFORE SHIPPING



PROPRIETARY AND CONFIDENTIAL
THE INFORMATION CONTAINED IN THIS DRAWING IS THE SOLE PROPERTY OF SECURE CARE PRODUCTS, LLC. ANY REPRODUCTION IN PART OR AS A WHOLE WITHOUT THE WRITTEN PERMISSION OF SECURE CARE PRODUCTS, LLC IS PROHIBITED.

		UNLESS OTHERWISE SPECIFIED:		NAME	DATE	SECURE CARE PRODUCTS, LLC 39 CHENELL DR. CONCORD NH 03301
		DIMENSIONS ARE IN INCHES TOLERANCES: 2 PLACE DECIMAL ±.010 3 PLACE DECIMAL ±.005 4 PLACE DECIMAL ±.002 ANGLES = ±0.5° DO NOT SCALE DRAWING REMOVE ALL BURRS AND SHARP EDGES		DRAWN	J.DIXON	
				CHECKED	C.STEVENS	10/8/14
				ENG APPR.		
				MFG APPR.		
				Q.A.		
				COMMENTS:		TITLE: CUTBAND TRANSMITTER STANDARD
				THIRD ANGLE PROJECTION		
						SIZE DWG. NO. REV B P20470900 000
						SCALE: 1:1 WEIGHT: SHEET 3 OF 3

8 7 6 5 4 3 2 1