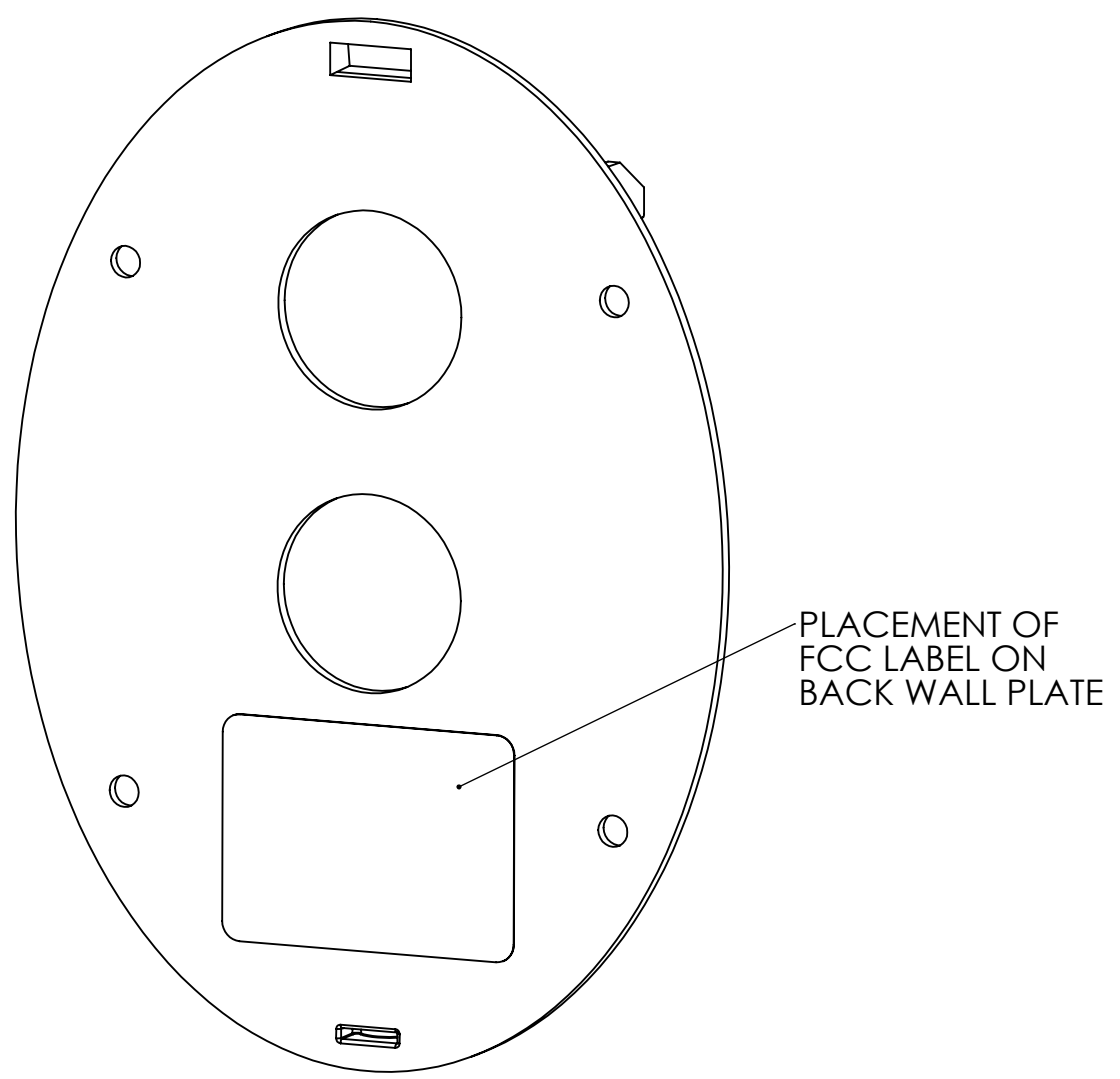
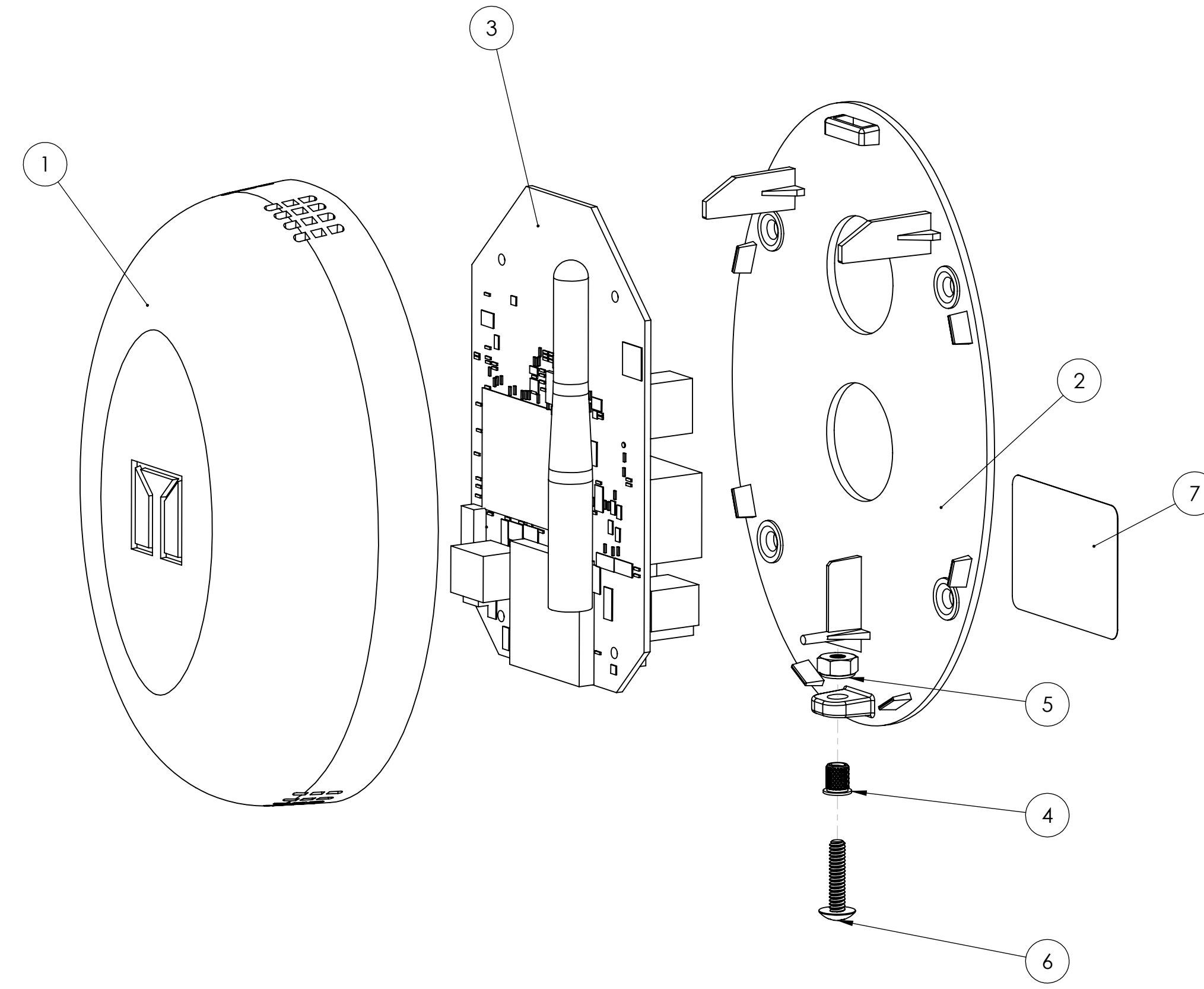


8 7 6 5 4 3 2 1

| REVISIONS | | | | |
|-----------|------|--|----------|----------|
| ZONE | REV. | DESCRIPTION | DATE | APPROVED |
| | 1 | DOCUMENT CONTROL RELEASE | 3/22/16 | CS |
| | 2 | ADD FCC LABEL LOCATION, ECO12181 | 9/6/16 | CS |
| | 3 | CHANGE LOCATION OF FCC LABEL, ECO12245 | 10/21/16 | CS |

F
E
D
C
B
A



***All products referencing this drawing must be manufactured using materials compliant to EU Directive 2011/65/EU. ONLY lead-free solder and ROHS-2-compliant materials shall be used to manufacture these products.**

| ITEM NO. | DESCRIPTION | QTY. |
|----------|---------------------------------------|------|
| 1 | LC Node/Ext Rcvr Front Cover | 1 |
| 2 | LC Node/Ext Rcvr Mounting Panel | 1 |
| 3 | LC Node PCB Assembly | 1 |
| 4 | 6-32 Press-Fit Threaded Insert | 1 |
| 5 | 6-32 Hex Locknut with Nylon Insert | 1 |
| 6 | 6-32 x 5/8" Truss Head Phillips Screw | 1 |
| 7 | FCC LABEL | 1 |

PROPRIETARY AND CONFIDENTIAL
 THE INFORMATION CONTAINED IN THIS DRAWING IS THE SOLE PROPERTY OF SECURE CARE PRODUCTS, LLC. ANY REPRODUCTION IN PART OR AS A WHOLE WITHOUT THE WRITTEN PERMISSION OF SECURE CARE PRODUCTS, LLC IS PROHIBITED.

| | | | | | | | |
|--------------------------------------|--|------------------------|--|-----------|--|-----------------------------------|--|
| UNLESS OTHERWISE SPECIFIED: | | NAME | | DATE | | SECURE CARE PRODUCTS, LLC | |
| DIMENSIONS ARE IN INCHES | | DRAWN | | J.DIXON | | 39 CHENELL DR. CONCORD N.H. 03301 | |
| TOLERANCES: | | CHECKED | | C.STEVENS | | TITLE: | |
| FRACTIONAL +1/32" | | ENG APPR. | | | | LOW COST NODE | |
| 2 PLACE DECIMAL ± .020 | | MFG APPR. | | | | SIZE DWG. NO. REV | |
| 3 PLACE DECIMAL ± .005 | | Q.A. | | | | C D03490915 3 | |
| 4 PLACE DECIMAL ± .002 | | COMMENTS: | | | | SCALE: 1:2 WEIGHT: SHEET 1 OF 1 | |
| ANGLES = ±0.5° | | THIRD ANGLE PROJECTION | | | | | |
| INTERPRET GEOMETRIC TOLERANCING PER: | | MATERIAL | | | | | |
| FINISH | | NEXT ASSY | | USED ON | | | |
| APPLICATION | | DO NOT SCALE DRAWING | | | | | |

8 7 6 5 4 3 2 1