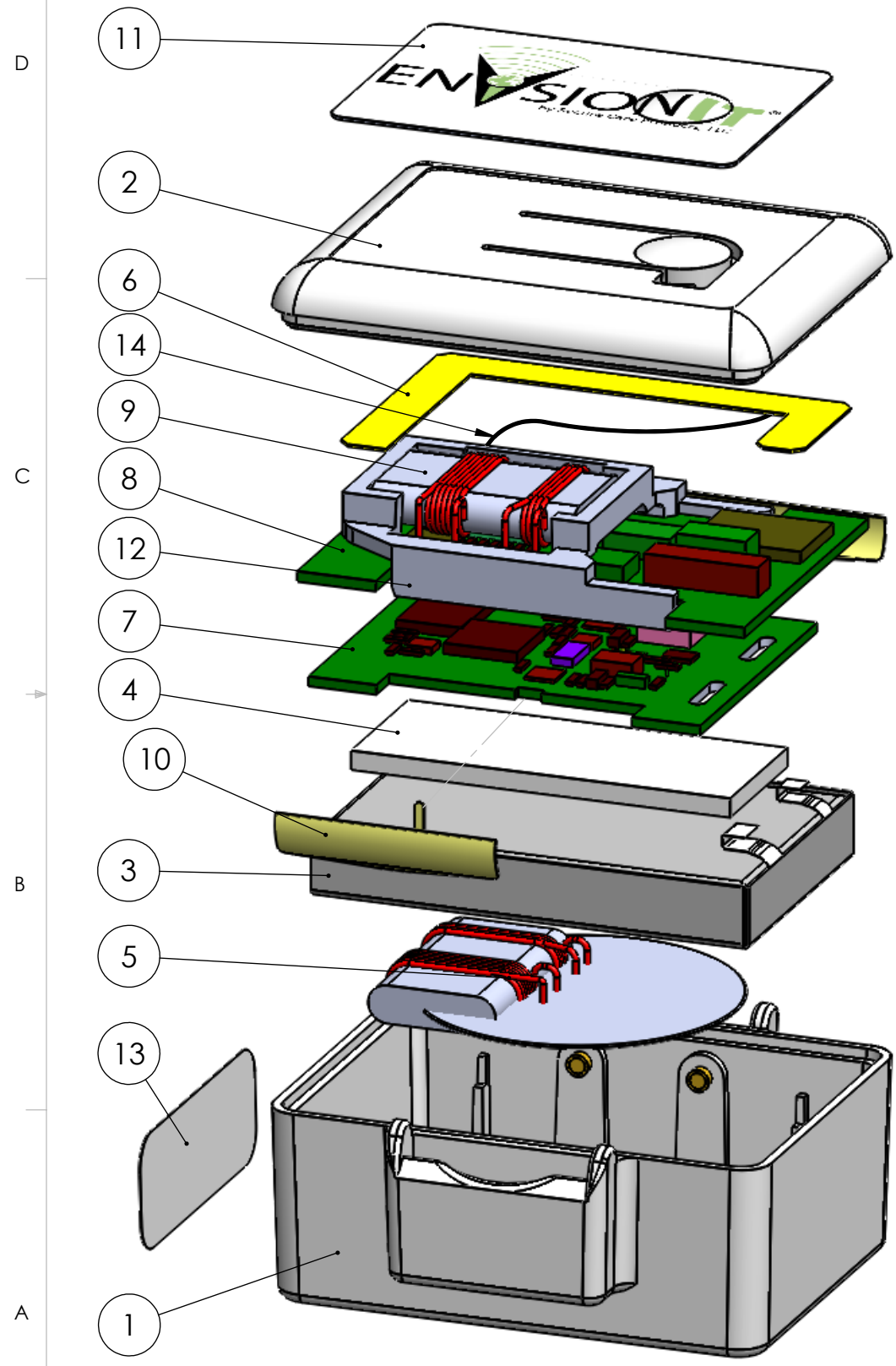


| REVISIONS |      |   |         |          |
|-----------|------|---|---------|----------|
| ZONE      | REV. | DESCRIPTION                                   | DATE    | APPROVED |
|           | 01   | DOCUMENT CONTROL RELEASE                      | 10/8/14 | CS       |
|           | 02   | CHANGE TO ASSEMBLY INSTRUCTIONS, ECO11986     | 3/18/16 | CS       |
|           | 03   | ADD FCC ID TO LABEL NOTE ON BOM, PER ECO12112 | 7/20/16 | CS       |



**ASSEMBLY INSTRUCTIONS:**

**STEP 1-** PLACE CIRCULAR FOAM TAPE (ITEM 5) ON THE BOTTOM OF THE BASE (ITEM 1) CENTERED ALONG THE WIDTH BUT SPACED APART ALONG THE LENGTH, AS SHOWN.

**STEP 2-**

- SOLDER CONTACTS (ITEM 10) TO THE BOTTOM PCB (ITEM 7) IN THE ORIENTATION SHOWN USING THE SOLDERING FIXTURE (SEE PAGE 2 FOR ORIENTATION AND INSTRUCTIONS)
- ATTACH BATTERY (ITEM 4) TO THE BOARD BY INSERTING TABS THROUGH THE SLOTS FROM THE BOTTOM OF THE BOARD, FOLDING TABS ONTO THE SOLDERING PAD, AND SOLDERING IN PLACE. FOAM TAPE (ITEM 4) SHOULD BE ATTACHED TO THE TOP OF THE BATTERY (SEE PAGE 2 FOR BATTERY FOLDING INSTRUCTIONS)
- STICK COPPER FOIL ANTENNA (ITEM 6) ONTO INSIDE OF THE PLASTIC COVER. PLACE PIECE OF FOAM TAPE OVER LONG END OF COPPER ANTENNA. SOLDER WIRE FROM PAD ON CONTROL BOARD TO COPPER FOIL ANTENNA ON COVER.
- SNAP THE TWO BOARDS TOGETHER (ITEM 7, ITEM 8) IN THE ORIENTATION SHOWN.
- SLIP THE BATTERY AND BOARD ASSEMBLY INTO THE BASE SO THAT THE SWEEP FEATURE ON THE CUTBAND CONTACTS SLIDE ALONG THE INSERTED PINS IN THE BASE. THESE SWEEPS SHOULD BE MAKING CONTACT WITH EACH OF THE 4 PINS

**STEP 3-** STICK COPPER FOIL ANTENNA (ITEM 6) ONTO THE INSIDE OF THE PLASTIC COVER, AND PLACE THE COVER (ITEM 2) ON THE ASSEMBLY AND WELD ASSEMBLY TOGETHER.

**STEP 4-** WHEN TRANSMITTER IS SWITCHED ON, PLACE LABEL (ITEM 11) ON THE COVER MAKING SURE TO PRESS DOWN FIRMLY ALL AROUND TO PREVENT ANY LEAKS

**STEP 5-** PLACE APPROPRIATE BARCODE LABEL (ITEM 13) ONTO THE SIDE OF THE TRANSMITTER IN THE LOCATION SHOWN.

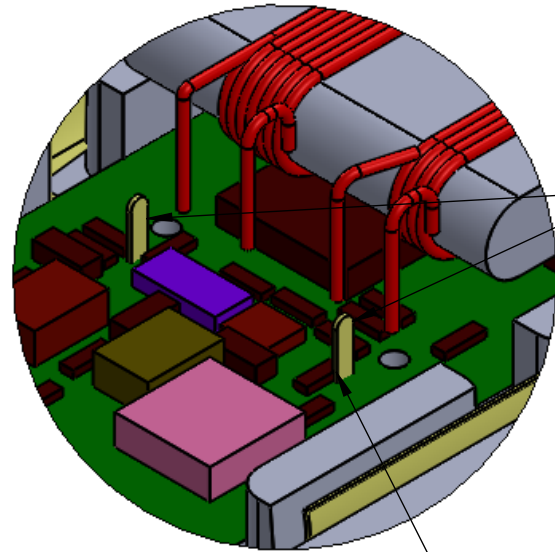
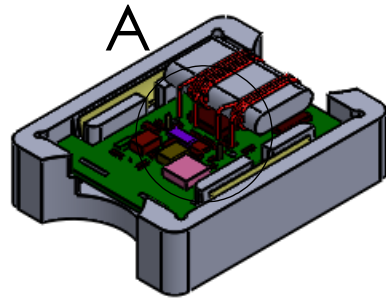


| ITEM NO. | DESCRIPTION                      | QTY. |
|----------|----------------------------------|------|
| 1        | PLASTIC BASE                     | 1    |
| 2        | COVER PLASTIC                    | 1    |
| 3        | 3.0V THIN CELL BATTERY           | 1    |
| 4        | FOAM TAPE                        | 1    |
| 5        | CIRCULAR FOAM TAPE               | 1    |
| 6        | COPPER FOIL ANTENNA              | 1    |
| 7        | RTL S CONTROL BOARD              | 1    |
| 8        | RTL S UWB BOARD                  | 1    |
| 9        | FLAT FERRITE RM X 2 .42 X .670   | 2    |
| 10       | INNER CUTBAND CONTACT            | 2    |
| 11       | ENVISIONIT LABEL                 | 1    |
| 12       | RTL S ANTENNA POSITIONING CRADLE | 1    |
| 13       | BARCODE LABEL/FCC ID             | 1    |
| 14       | BLACK WIRE                       | 1    |

**PROPRIETARY AND CONFIDENTIAL**  
 THE INFORMATION CONTAINED IN THIS DRAWING IS THE SOLE PROPERTY OF SECURE CARE PRODUCTS, LLC. ANY REPRODUCTION IN PART OR AS A WHOLE WITHOUT THE WRITTEN PERMISSION OF SECURE CARE PRODUCTS, LLC IS PROHIBITED.

|                                  |                      |           |           |   |         |
|----------------------------------|----------------------|-----------|-----------|---|---------|
| UNLESS OTHERWISE SPECIFIED:      |                      | NAME      | DATE      | SECURE CARE PRODUCTS, LLC<br>39 CHENELL DR. CONCORD NH 03301<br><b>TITLE: RTL S CUTBAND TRANSMITTER</b> |         |
| DIMENSIONS ARE IN INCHES         |                      | DRAWN     | J.DIXON   |   | 10/8/14 |
| TOLERANCES:                      |                      | CHECKED   | C.STEVENS |   | 10/8/14 |
| 2 PLACE DECIMAL ±.010            |                      | ENG APPR. |           |   |         |
| 3 PLACE DECIMAL ±.005            |                      | MFG APPR. |           |   |         |
| 4 PLACE DECIMAL ±.002            |                      | Q.A.      |           |   |         |
| ANGLES = ±0.5°                   |                      | COMMENTS: |           |   |         |
| DO NOT SCALE DRAWING             |                      |           |           |   |         |
| REMOVE ALL BURRS AND SHARP EDGES |                      |           |           |   |         |
| MATERIAL                         |                      |           |           | SIZE DWG. NO. REV   |         |
| FINISH                           |                      |           |           | <b>B D20450930 03</b>   |         |
| NEXT ASSY                        | USED ON              |           |           | SCALE: 1:1 WEIGHT: SHEET 1 OF 2   |         |
| APPLICATION                      | DO NOT SCALE DRAWING |           |           |   |         |

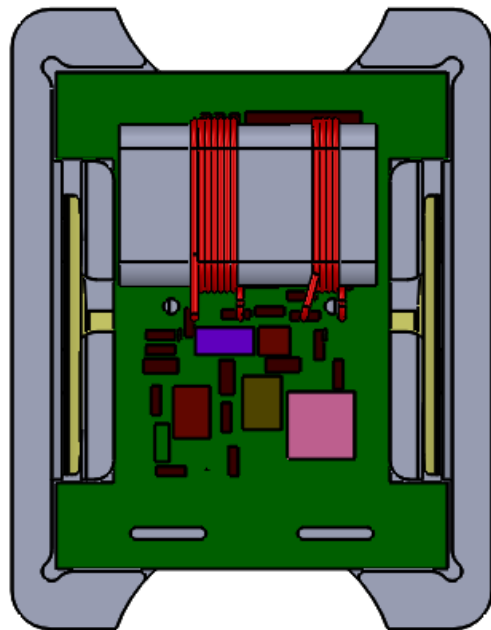
## STEP 2.1



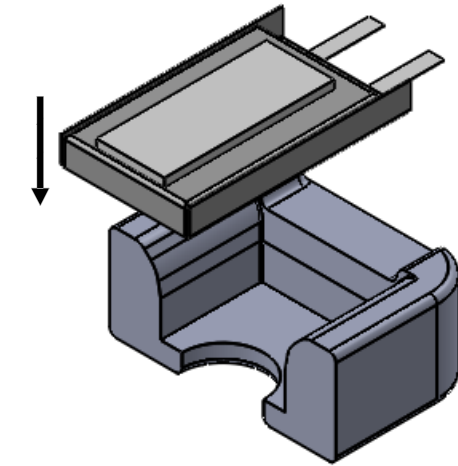
SOLDER PINS OF CUTBAND CONTACTS TO BOARD AS SHOWN

DETAIL A  
SCALE 4 : 1

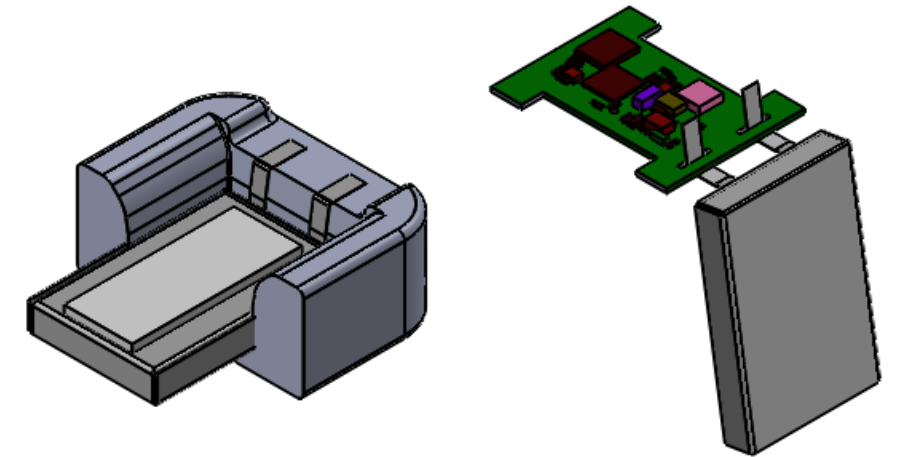
THE TIP OF THE PIN MAY NEED TO BE TRIMMED IF THERE IS ANY INTERFERENCE WITH THE MATING TOP BOARD



## STEP 2.2



PRESS BATTERY FIRMLY INTO BATTERY FOLDING FIXTURE



ONCE THE BATTERY IS IN PLACE, FOLD THE TABS OVER THE EDGE OF THE FIXTURE AS SHOWN. THIS FOLD WILL BE WHERE THE PCB BOTTOMS OUT WHEN SOLDERING TO THE BATTERY.

**PROPRIETARY AND CONFIDENTIAL**  
THE INFORMATION CONTAINED IN THIS DRAWING IS THE SOLE PROPERTY OF SECURE CARE PRODUCTS, LLC. ANY REPRODUCTION IN PART OR AS A WHOLE WITHOUT THE WRITTEN PERMISSION OF SECURE CARE PRODUCTS, LLC IS PROHIBITED.

|             |         |                                  |  |                        |  |  |  |
|-------------|---------|----------------------------------|--|------------------------|--|--|--|
|             |         | UNLESS OTHERWISE SPECIFIED:      |  | NAME                   |  | DATE   |  |
|             |         | <b>DIMENSIONS ARE IN INCHES</b>  |  | DRAWN                  |  | J.DIXON  |  |
|             |         | <b>TOLERANCES:</b>               |  | CHECKED                |  | C.STEVENS  |  |
|             |         | 2 PLACE DECIMAL ±.010            |  | ENG APPR.              |  |  |  |
|             |         | 3 PLACE DECIMAL ±.005            |  | MFG APPR.              |  |  |  |
|             |         | 4 PLACE DECIMAL ±.002            |  | Q.A.                   |  |  |  |
|             |         | ANGLES = ±0.5°                   |  | COMMENTS:              |  |  |  |
|             |         | DO NOT SCALE DRAWING             |  | THIRD ANGLE PROJECTION |  |  |  |
|             |         | REMOVE ALL BURRS AND SHARP EDGES |  |                        |  |  |  |
|             |         | MATERIAL                         |  |                        |  | SECURE CARE PRODUCTS, LLC<br>39 CHENELL DR. CONCORD NH 03301 |  |
|             |         | FINISH                           |  |                        |  | TITLE: <b>RTL5 CUTBAND TRANSMITTER</b>                       |  |
| NEXT ASSY   | USED ON |                                  |  |                        |  | SIZE DWG. NO. REV<br><b>B</b> D20450930 03                   |  |
| APPLICATION |         | DO NOT SCALE DRAWING             |  |                        |  | SCALE: 1:1 WEIGHT: SHEET 2 OF 2                              |  |