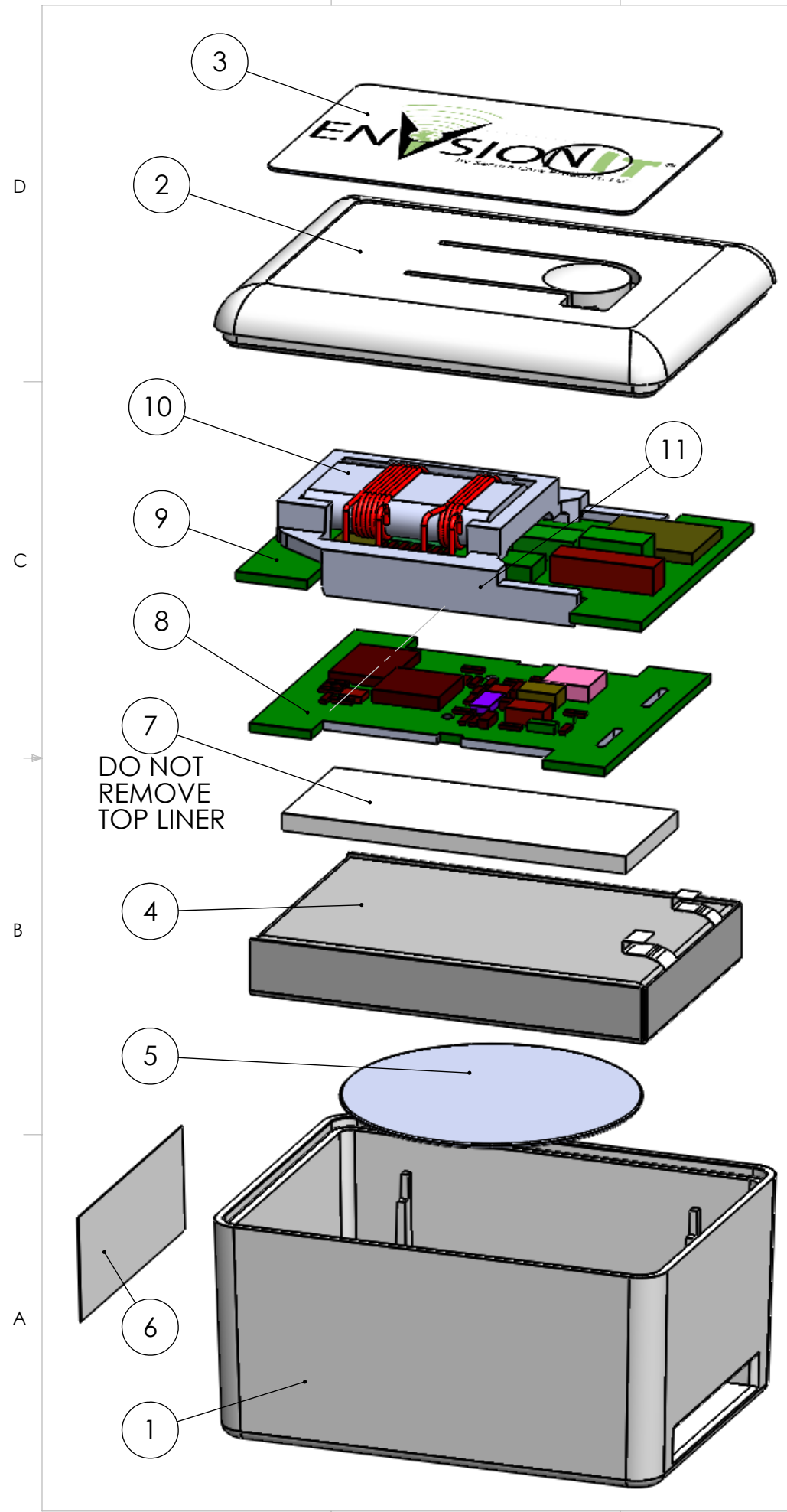


REVISIONS				
ZONE	REV.	DESCRIPTION	DATE	APPROVED
	01	DOCUMENT CONTROL RELEASE	10/8/14	CS
	02	CHANGE TO ASSEMBLY INSTRUCTIONS, ECO11986	3/16/16	CS
	03	ADD FCC ID TO LABEL NOTE ON BOM, PER ECO12112	7/20/16	CS



ASSEMBLY INSTRUCTIONS:

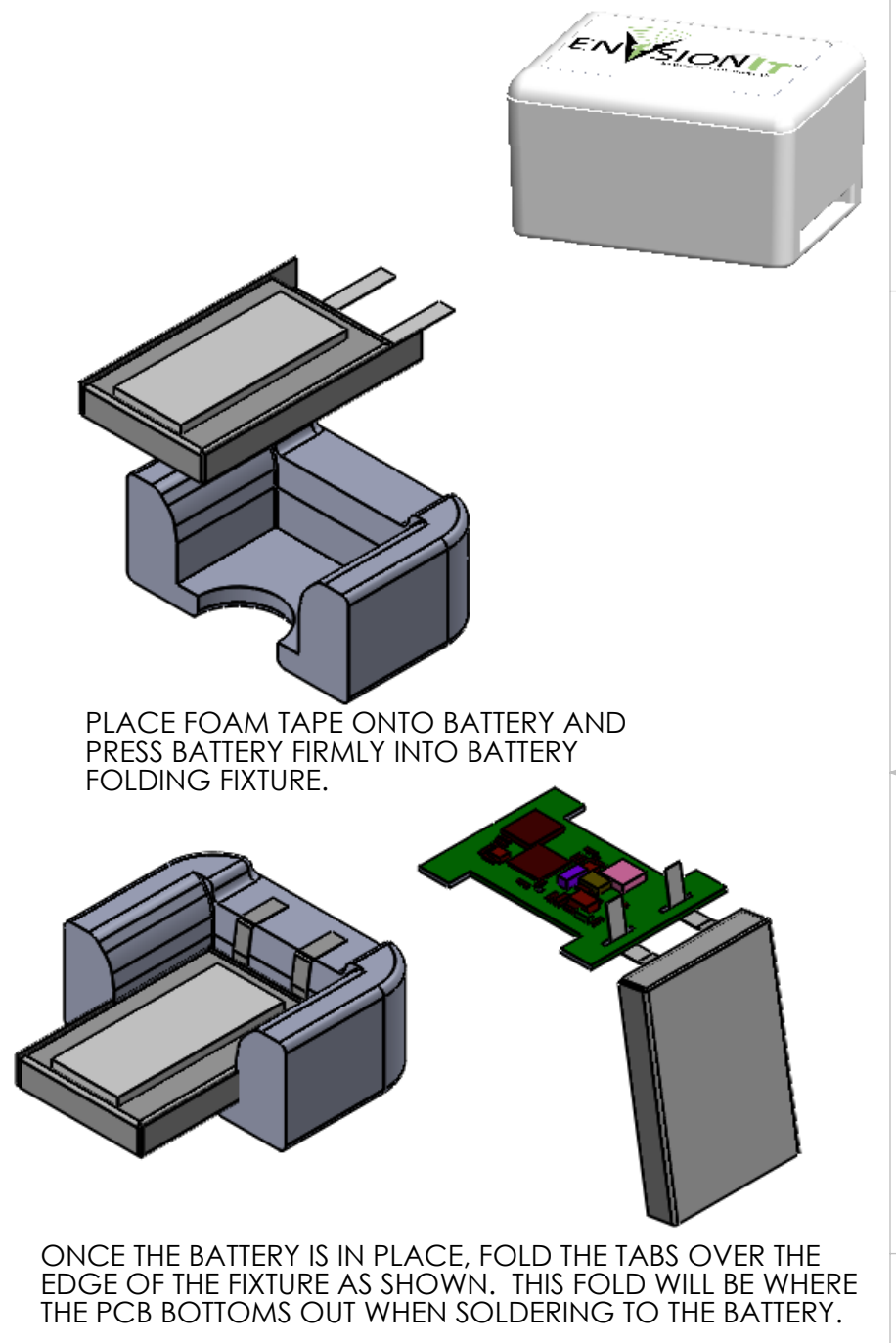
STEP 1- PLACE CIRCULAR FOAM TAPE (ITEM 5) ON THE BOTTOM OF THE BASE (ITEM 1) CENTERED ALONG THE WIDTH BUT SPACED APART ALONG THE LENGTH, AS SHOWN.

STEP 2-

1. ATTACH BATTERY (ITEM 4) TO THE BOARD (ITEM 8) BY INSERTING TABS THROUGH THE SLOTS FROM THE BOTTOM OF THE BOARD, FOLDING TABS ONTO THE SOLDERING PAD, AND SOLDERING IN PLACE. FOAM TAPE (ITEM 7) SHOULD ATTACH TO THE TOP OF THE BATTERY (SEE BATTERY FOLDING INSTRUCTIONS)
2. SNAP THE TWO BOARDS TOGETHER (ITEM 8, ITEM 9) IN THE ORIENTATION SHOWN.
3. SLIP THE BATTERY AND BOARD ASSEMBLY INTO THE BASE

STEP 3- PLACE THE COVER (ITEM 2) ON THE ASSEMBLY AND WELD ASSEMBLY TOGETHER.

ITEM NO.	DESCRIPTION	QTY.
1	BASE PLASTIC	1
2	COVER PLASTIC	1
3	ENVISIONIT LABEL	1
4	3.0V THIN CELL BATTERY	1
5	.015" x 1.031" DIA FOAM TAPE	1
6	BARCODE LABEL/FCC ID	1
7	FOAM TAPE STRIP	1
8	RTLS CONTROL BOARD	1
9	RTLS UWB BOARD	1
10	FLAT FERRITE RM X 2 .42 X .670	1
11	90-DEGREE ANTENNA POSITIONING CRADLE	1



PROPRIETARY AND CONFIDENTIAL
 THE INFORMATION CONTAINED IN THIS DRAWING IS THE SOLE PROPERTY OF SECURE CARE PRODUCTS, LLC. ANY REPRODUCTION IN PART OR AS A WHOLE WITHOUT THE WRITTEN PERMISSION OF SECURE CARE PRODUCTS, LLC IS PROHIBITED.

UNLESS OTHERWISE SPECIFIED:		NAME	DATE	SECURE CARE PRODUCTS, LLC 39 CHENELL DR. CONCORD NH 03301
DIMENSIONS ARE IN INCHES TOLERANCES: 2 PLACE DECIMAL ±.010 3 PLACE DECIMAL ±.005 4 PLACE DECIMAL ±.002 ANGLES = ±0.5° DO NOT SCALE DRAWING REMOVE ALL BURRS AND SHARP EDGES		DRAWN	J.DIXON	
MATERIAL		CHECKED	C.STEVENS	10/8/14
FINISH		ENG APPR.		
NEXT ASSY		MFG APPR.		
USED ON		Q.A.		
APPLICATION		COMMENTS:		
DO NOT SCALE DRAWING		THIRD ANGLE PROJECTION 		TITLE: RTLS TRANSMITTER
		SIZE	DWG. NO.	REV
		B	D20440930	03
		SCALE: 1:1	WEIGHT:	SHEET 1 OF 1