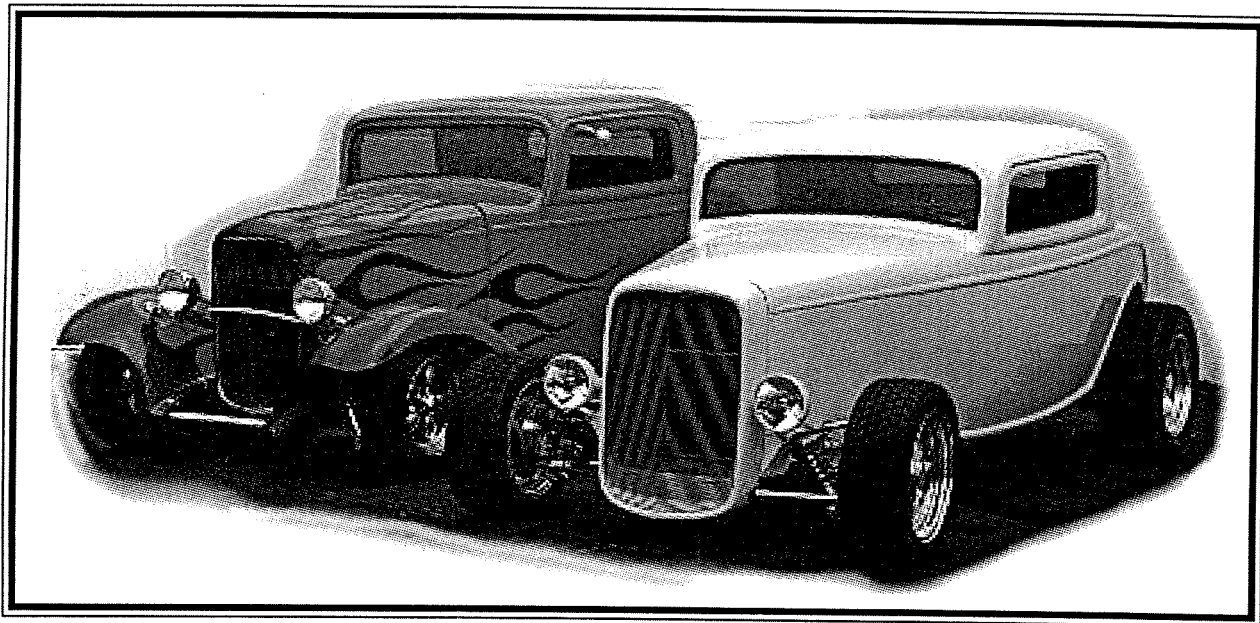


AMENITY

**Installation Manual &
Operation Instructions**



SHAVED DOOR KIT

MODELS:

SHAVED

SHAVED-2-ACT

SHAVED-2-SIL35

MADE IN THE U.S.A.

**Note: Read this instruction manual
thoroughly before installation.**

TECH SUPPORT: 800-454-7725

EACH KIT INCLUDES THE FOLLOWING COMPONENTS:

- (1) Multi-RCU Unit**
- (1) Shaved Harness**
- (2) #10 Blue Rings**
- (1) Emergency Switch**
- (2) HELLA 40 Amp Relays**

SHAVED-2-SIL35

- (2) 35-Pound Solenoid Kits**
- (4) Mounting Bolts**
- (4) Nuts**
- (4) Washers**
- (2) Yellow Butt Connectors**
- (2) Yellow 5/16 Rings**

SHAVED-2-ACT

- (2) 8-Pound Actuators**
- (2) Blue Butt Connectors**

Installation instructions for **AMENITY Shaved Door Handle Kit** **SHAVED-2-ACT/SHAVED-2-SIL35**

This kit is designed to operate two or more functions. Both doors and five other functions can be controlled with the *AMENITY* four-button remote control. The additional channels can be used to operate power door releases, trunk releases, roll up or down power windows or control linear actuators.

Channels 3 through 7 are all negative outputs. Please refer to the diagrams near the end of the instruction manual for positive, negative and reverse trigger diagrams.

Wiring is important to the overall finished project. Make sure all wires are properly grounded, free of potential damage and are correctly fused.

Basic functions of the AMENITY Shaved Door Kit:

The remote control supplied with your kit is seven channel, four button.

Channel 1: opens driver's side door.

Channel 2: opens passenger's side door.

Channel 3:

Channel 4:

Channel 5:

Channel 6:

Channel 7:

Optional 250 mA (milliampere) negative outputs.
Additional relays are required for each channel.

Basic functions of the remote control:

Channel 1: Button 1

Channel 2: Button 2

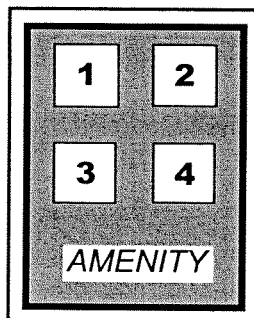
Channel 3: Button 3

Channel 4: Button 4

Channel 5: Button 1 + Button 2

Channel 6: Button 1 + Button 3

Channel 7: Button 1 + Button 4



Mounting and wiring instructions:

10-Pin Wiring Harness (by color)

GRAY	Channel 1
RED	+12 VDC to battery
BLUE	Channel 2
BLACK	Ground
WHITE	Channel 3
YELLOW	Channel 4
PINK	Channel 7
PURPLE	Channel 6
BROWN	Channel 5
ORANGE	Ignition

10-Pin Wiring Harness (by function)

Channel 1	GRAY
Channel 2	BLUE
Channel 3	WHITE
Channel 4	YELLOW
Channel 5	BROWN
Channel 6	PURPLE
Channel 7	PINK
Power (+12 VDC)	RED
Ignition	ORANGE
Ground	BLACK

Receiver mounting and wiring:

The receiver is the item that provides all of the outputs to activate the different functions. Because of the nature of the receiver module, it must be mounted in the interior of the vehicle where there is no moisture.

Notes:

Do not plug in the receiver module until the all of the wiring is complete!

Do not ground the antenna wire!

Options:

Hidden Switch: (optional)

It is a good idea to mount the provided external switch on the vehicle to allow entrance to the vehicle in case of lost transmitters or leaving the keys in the vehicle. (See diagram.)

(continued)

Channels Three through Seven (optional)

These wires are negative outputs for an optional accessories. Each can be used as either a trunk/hatch release, power window up or down, remote starter, control linear actuators or anything else you can imagine. See diagram for installation ideas.

NOTES: One additional relay is required to operate each channel.

Connecting or activating the additional relays is not required for optimal use.

Actuator mounting and wiring: (SHAVED-2-ACT)

The actuators are to be mounted in the vehicles doors either vertically or horizontally. Mount the motors vertically so that the motors face upward so there is less of a chance for water to condensate inside the actuator. They are to be attached to the latch in the same position as the exterior door handle (see diagram). The actuators have two wires and can push or pull depending on how you mount them in the door (see table below).

Actuator movement	Red wire	Blue wire
Push	Connect to blue relay wire	Connect to ground
Pull	Connect to ground	Connect to blue relay wire

Remote jumper leads on the battery: (optional)

The installation of remote jumper leads on the battery will allow you to jump-start or charge your battery in case of a power failure.

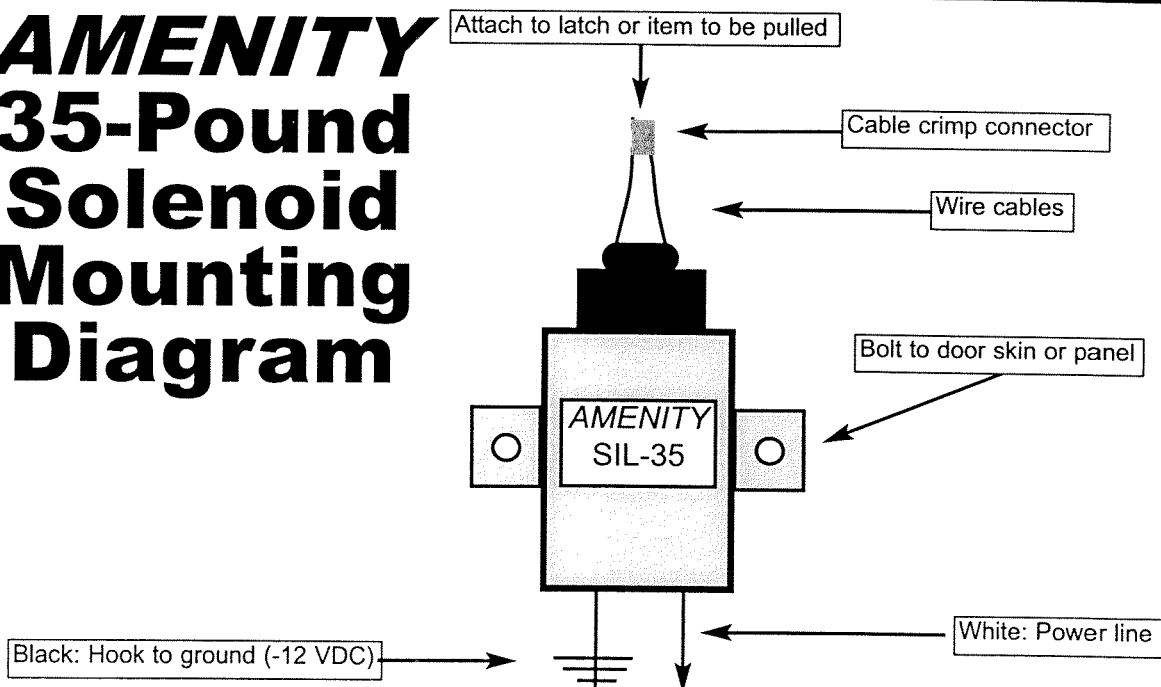
Note: Always plan for the worst case scenario when building custom cars or trucks. Think about the application for the product you are installing and the problems that could happen. Take the time and come up with a solution that will let you remedy the situation with the least amount of hassles.

If you have any technical questions feel free to call us at 1-800-454-7725.

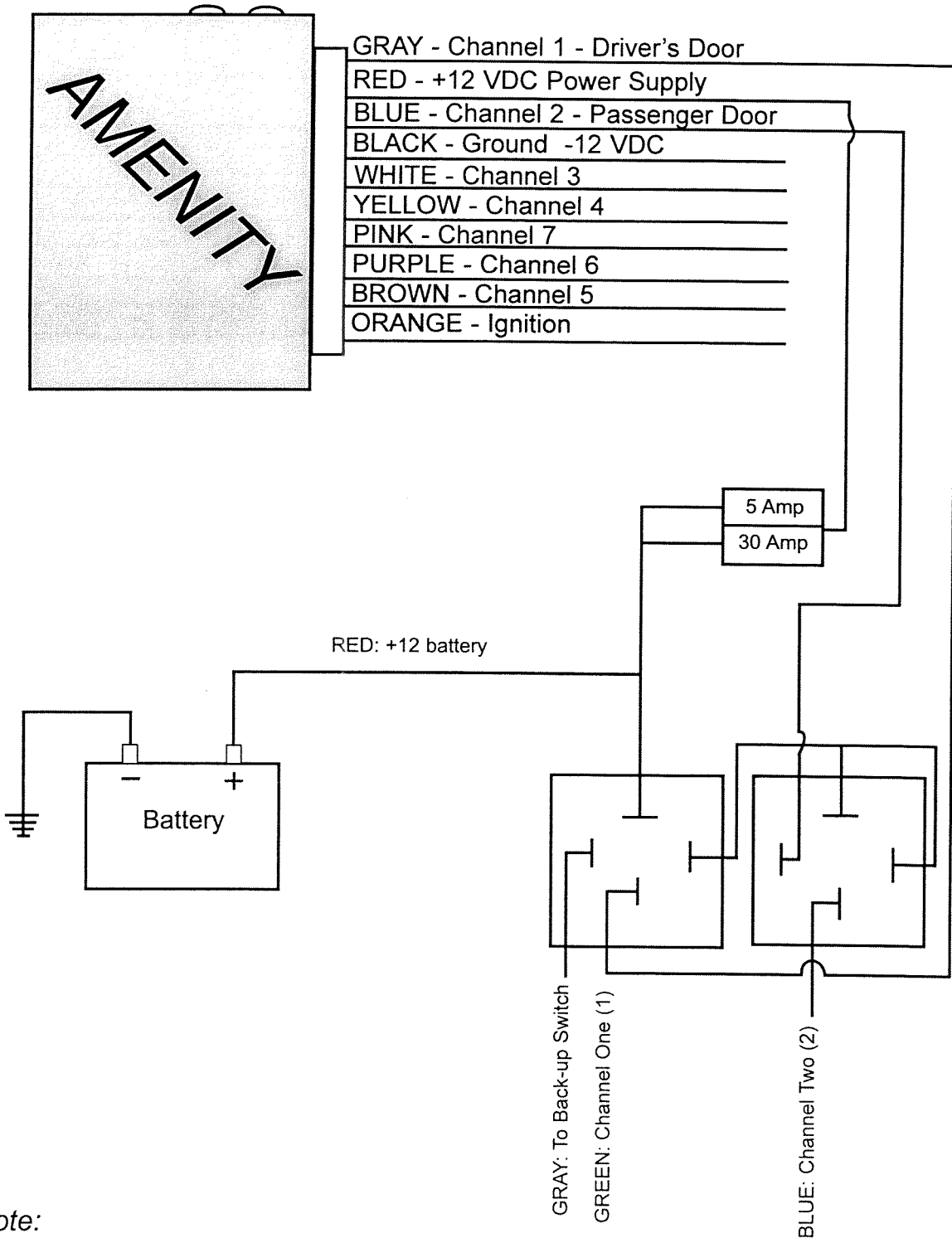
Reprogramming the Remote Controls

Turn off ignition. Press and release the valet switch on the unit three times, the LED will flash twice and come on solid the third time. Next, press button one (1) on one remote, the LED will go off then come back on. Then press button one (1) on the other remote, the LED will go off then come back on. When the LED remains on, programming is complete.

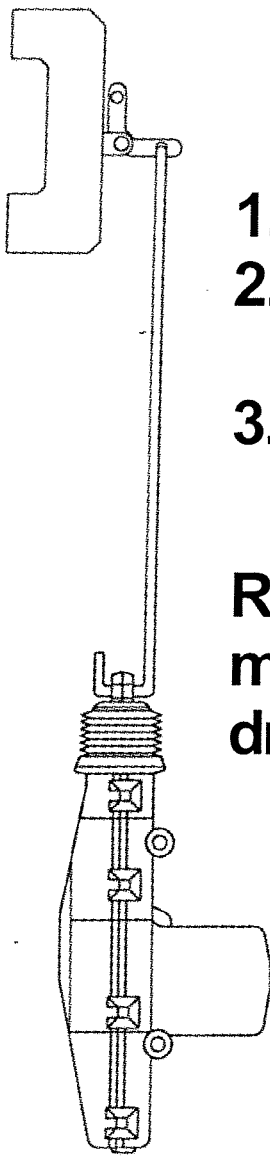
AMENITY 35-Pound Solenoid Mounting Diagram



AMENITY Seven-Channel Shaved Door Handle Kit Wiring Diagram



Note:
Additional Relays are NOT included.

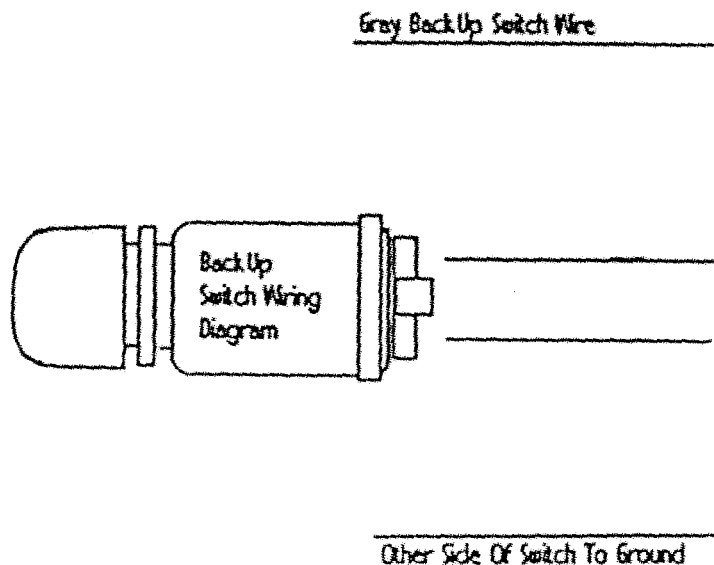


Actuator Installation Instructions

1. Attach rod to actuator.
2. Attach rod to door latch or item to be pulled/pushed.
3. Mount actuator to door panel.

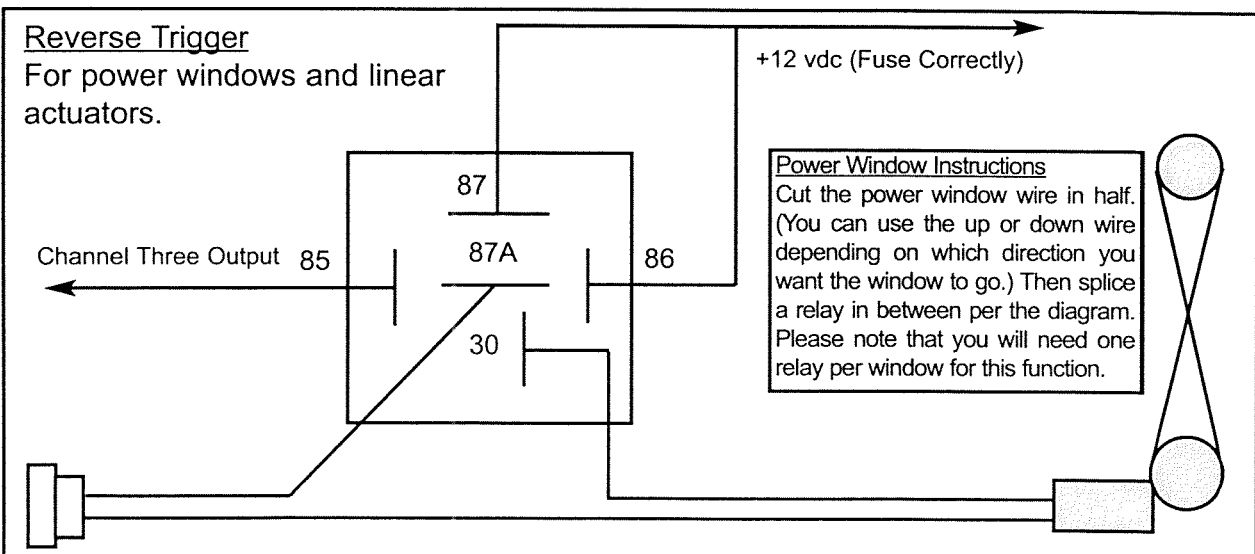
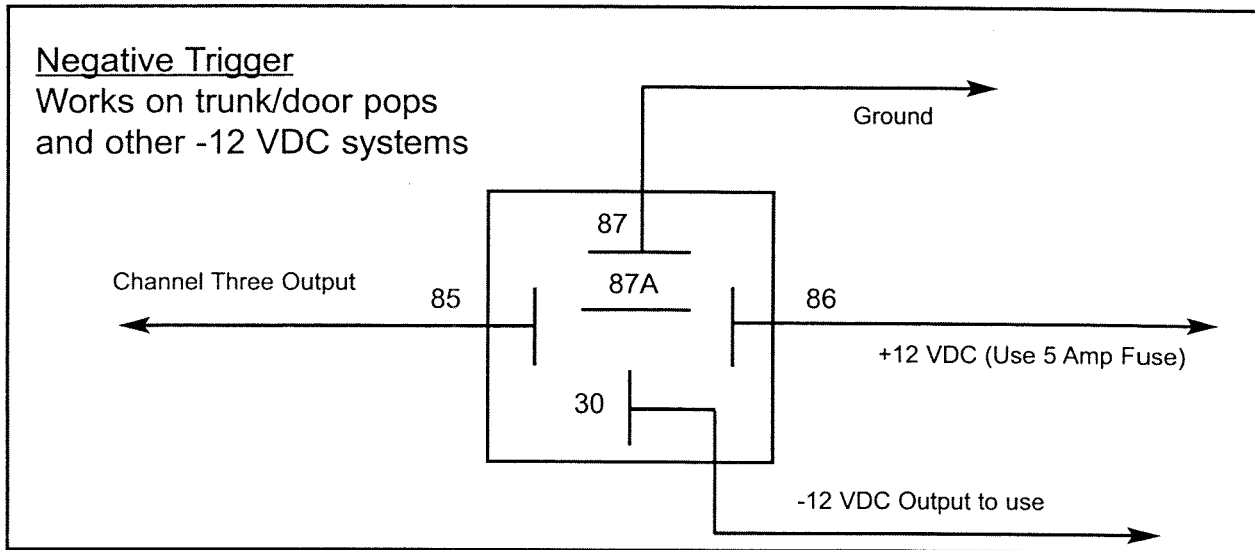
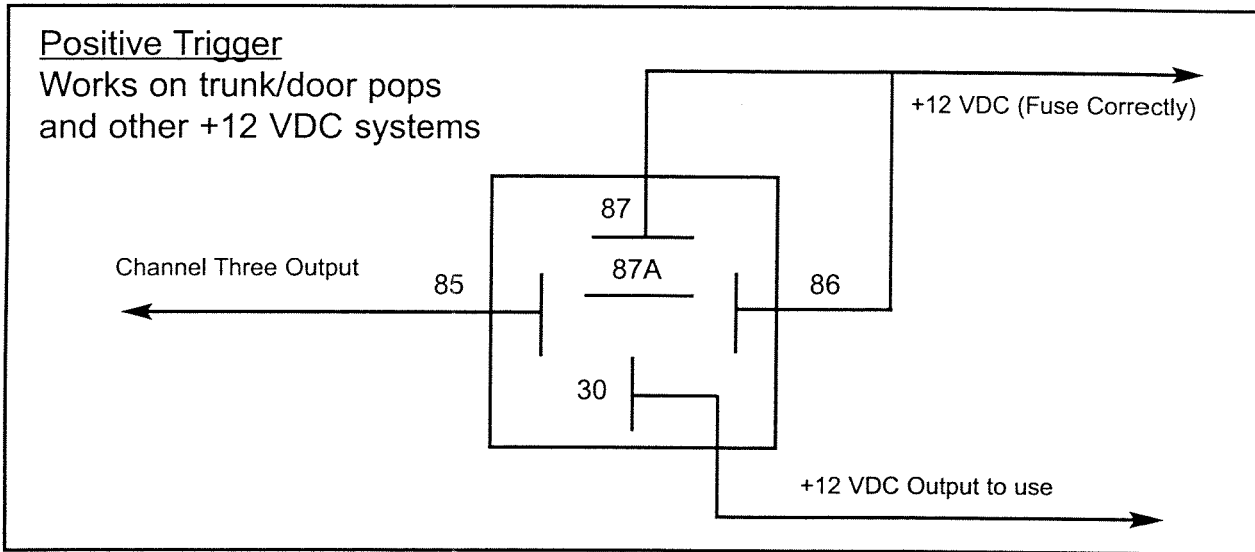
Remember, if possible, mount the motor vertically to allow for water drainage.

Hidden Switch Wiring Diagram



Channels 3 - 7 Wiring Options

Wiring suggestions of the optional negative outputs using a SPDT automotive relay



Limited Warranty Statement

I.E.I. AMENITY LINE WARRANTY STATEMENT

I.E.I. warrants this product to be free from defects in material and workmanship for a period of one (1) year from the date of sale to the original purchase, and not more than two (2) years from the date of manufacture. I.E.I. will repair this product free of charge if, in the judgment of I.E.I., it has been proven defective within the warranty period. The product should be returned, at the customer expense, to **Iowa Export-Import, 512 Tuttle Street, Des Moines, Iowa 50309-4618**. This warranty does not cover any expenses incurred in the removal and/or reinstallation of the product.

This warranty does not apply to any product damaged by improper installation, accident, misuse, abuse, improper line voltage, fire, flood, lightning, other acts of God, or a product altered or repaired by anyone other than I.E.I.

This warranty is in lieu of other warranties, expressed or implied, including any implied warranty of merchantability. No person is authorized to assume for I.E.I. any other liability concerning the sale of this product.

**IMPORTANT — KEEP YOUR INVOICE
WITH THIS WARRANTY STATEMENT !**



512 Tuttle St., Des Moines, IA 50309, info@spal-usa.com, www.spal-usa.com
Main/Sales: 800-345-0327, Sales: 888-SPAL-USA, Technical: 800-454-7725