

*Electromagnetic Emissions Test Report
Application for Grant of Equipment Authorization
pursuant to
Industry Canada RSS-Gen Issue 2 / RSS 210 Issue 7
FCC Part 15 Subpart C
on the
Savi Technology, Inc.
Transmitter
Model: ST-673-030*

UPN: 2404A-673T1
FCC ID: KL7-673T-V2

GRANTEE: Savi Technology, Inc.
351 E. Evelyn Ave.
Mountain View, CA 94041

TEST SITE(S): Elliott Laboratories
684 W. Maude Ave
Sunnyvale, CA 94086
IC Site Registration #: 2845A-2

REPORT DATE: December 19, 2008

FINAL TEST DATE: December 9 and December 12, 2008

AUTHORIZED SIGNATORY:



David W. Bare
Chief Engineer



Testing Cert #2016-01

Elliott Laboratories is accredited by the A2LA, certificate number 2016-01, to perform the test(s) listed in this report. This report shall not be reproduced, except in its entirety, without the written approval of Elliott Laboratories

REVISION HISTORY

Rev #	Date	Comments	Modified By
1	2/11/09	First Release	-

TABLE OF CONTENTS

COVER PAGE.....	1
REVISION HISTORY	2
TABLE OF CONTENTS	3
SCOPE.....	5
OBJECTIVE.....	6
STATEMENT OF COMPLIANCE.....	6
TEST RESULTS SUMMARY	7
RFID DEVICES OPERATING IN THE 433.5 – 434.5MHZ BANDS	7
GENERAL REQUIREMENTS APPLICABLE TO ALL BANDS.....	8
MEASUREMENT UNCERTAINTIES.....	9
EQUIPMENT UNDER TEST (EUT) DETAILS.....	10
GENERAL.....	10
ANTENNA SYSTEM AND OTHER EUT DETAILS	10
ENCLOSURE.....	10
MODIFICATIONS.....	11
SUPPORT EQUIPMENT.....	11
EUT INTERFACE PORTS	11
EUT OPERATION	11
TEST SITE.....	12
GENERAL INFORMATION.....	12
CONDUCTED EMISSIONS CONSIDERATIONS	12
RADIATED EMISSIONS CONSIDERATIONS	12
MEASUREMENT INSTRUMENTATION	13
RECEIVER SYSTEM	13
INSTRUMENT CONTROL COMPUTER	13
LINE IMPEDANCE STABILIZATION NETWORK (LISN).....	13
FILTERS/ATTENUATORS	14
ANTENNAS.....	14
ANTENNA MAST AND EQUIPMENT TURNTABLE.....	14
INSTRUMENT CALIBRATION.....	14
TEST PROCEDURES	15
EUT AND CABLE PLACEMENT	15
CONDUCTED EMISSIONS.....	15
RADIATED EMISSIONS	15
RADIATED EMISSIONS.....	16
BANDWIDTH MEASUREMENTS	17
SPECIFICATION LIMITS AND SAMPLE CALCULATIONS.....	18
GENERAL TRANSMITTER RADIATED EMISSIONS SPECIFICATION LIMITS	18
SAMPLE CALCULATIONS - CONDUCTED EMISSIONS	18
SAMPLE CALCULATIONS - RADIATED EMISSIONS.....	19
SAMPLE CALCULATIONS - FIELD STRENGTH TO EIRP CONVERSION.....	20

TABLE OF CONTENTS (Continued)

EXHIBIT 1: Test Equipment Calibration Data..... 1
EXHIBIT 2: Test Measurement Data..... 2
EXHIBIT 3: Photographs of Test Configurations..... 3
EXHIBIT 4: Proposed FCC ID Label & Label Location 4
EXHIBIT 5: Detailed Photographs..... 5
EXHIBIT 6: Operator's Manual 6
EXHIBIT 7: Block Diagram..... 7
EXHIBIT 8: Schematic Diagrams..... 8
EXHIBIT 9: Theory of Operation 9
EXHIBIT 10: Advertising Literature..... 10
EXHIBIT 11: RF Exposure Information 11

SCOPE

An electromagnetic emissions test has been performed on the Savi Technology, Inc. model ST-673-030 pursuant to the following rules:

Industry Canada RSS-Gen Issue 2
RSS 210 Issue 7 "Low-power Licence-exempt Radiocommunication Devices (All Frequency Bands): Category I Equipment"
FCC Part 15 Subpart C

Conducted and radiated emissions data has been collected, reduced, and analyzed within this report in accordance with measurement guidelines set forth in the following reference standards and as outlined in Elliott Laboratories test procedures:

ANSI C63.4-2003

The intentional radiator above has been tested in a simulated typical installation to demonstrate compliance with the relevant Industry Canada performance and procedural standards.

Final system data was gathered in a mode that tended to maximize emissions by varying orientation of EUT, orientation of power and I/O cabling, antenna search height, and antenna polarization.

Every practical effort was made to perform an impartial test using appropriate test equipment of known calibration. All pertinent factors have been applied to reach the determination of compliance.

The test results recorded herein are based on a single type test of the Savi Technology, Inc. model ST-673-030 and therefore apply only to the tested sample. The sample was selected and prepared by Eugene Schlindwein of Savi Technology, Inc.

OBJECTIVE

The primary objective of the manufacturer is compliance with the regulations outlined in the previous section.

Prior to marketing in the USA, all unlicensed transmitters and transceivers require certification. Receive-only devices operating between 30 MHz and 960 MHz are subject to either certification or a manufacturer's declaration of conformity, with all other receive-only devices exempt from the technical requirements.

Prior to marketing in Canada, Class I transmitters, receivers and transceivers require certification. Class II devices are required to meet the appropriate technical requirements but are exempt from certification requirements.

Certification is a procedure where the manufacturer submits test data and technical information to a certification body and receives a certificate or grant of equipment authorization upon successful completion of the certification body's review of the submitted documents. Once the equipment authorization has been obtained, the label indicating compliance must be attached to all identical units, which are subsequently manufactured.

Maintenance of compliance is the responsibility of the manufacturer. Any modification of the product which may result in increased emissions should be checked to ensure compliance has been maintained (i.e., printed circuit board layout changes, different line filter, different power supply, harnessing or I/O cable changes, etc.).

STATEMENT OF COMPLIANCE

The tested sample of Savi Technology, Inc. model ST-673-030 complied with the requirements of the following regulations:

Industry Canada RSS-Gen Issue 2
RSS 210 Issue 7 "Low-power Licence-exempt Radiocommunication Devices (All Frequency Bands): Category I Equipment"
FCC Part 15 Subpart C

Maintenance of compliance is the responsibility of the manufacturer. Any modification of the product which may result in increased emissions should be checked to ensure compliance has been maintained (i.e., printed circuit board layout changes, different line filter, different power supply, harnessing or I/O cable changes, etc.).

TEST RESULTS SUMMARY**RFID DEVICES OPERATING IN THE 433.5 – 434.5MHz BANDS**

FCC Rule Part	RSS Rule Part	Description	Measured Value / Comments	Limit / Requirement	Result
15.240 (a)	RSS 210 A5	Location of operation	See note 2	Must be limited to commercial and industrial areas	Complies
15.240 (f)	-	Information to user		Notification of geographic limitations	Complies
15.240 (b)	RSS 210 A5 (1)	Duration of transmissions	See note 1	< 60s with 10s silent period	Complies
15.240 (b)	RSS 210 A5 (2)	Fundamental Signal Strength	79.9dB μ V/m (9885.5 μ V/m) @ 433.91MHz (-0.9dB)	11000uV/m avg 55000uV/m pk	Complies
15.240 (c) / 15.209	RSS 210 Table 2	Radiated Spurious Emissions, 30 MHz – 4339 MHz	36.1dB μ V/m (63.8 μ V/m) @ 867.82MHz (-9.9dB)	Table 2	Complies

Note 1 – Refer to the operational description included with this application for detailed description and timing diagrams for transmission duration.

Note 2 – The Tag will only transmit under 15.240 in response to a fixed reader that sends transmissions under 15.240. Location of operation and information to user is therefore incumbent on the reader and not the tag. Savi's readers that operate under 15.240 have the appropriate geographical limitations and user manual information.

GENERAL REQUIREMENTS APPLICABLE TO ALL BANDS

FCC Rule Part	RSS Rule part	Description	Measured Value / Comments	Limit / Requirement	Result (margin)
15.203	-	RF Connector	Antenna is integral to the device	Integral antenna or non-standard connector if not professionally installed	Complies
15.109	RSS GEN 7.2.3 Table 1	Receiver spurious emissions	55.4dB μ V/m (588.8 μ V/m) @ 1735.8MHz (-18.6dB)	Refer to table in Standard	Complies
15.207	RSS GEN Table 2	AC Conducted Emissions	NA-battery operated	-	Complies
	RSS 102	RF Exposure Requirements	Refer to RSS 102 declaration	Refer RSS 102	Complies
	RSP 100 RSS GEN 7.1.5	User Manual	Statement in documents provided to the user	Statement required regarding non-interference	Complies
	RSP 100 RSS GEN 7.1.5	User Manual	No detachable antenna	Statement required regarding detachable antenna	N/A
	RSP 100 RSS GEN 4.4.1	99% Bandwidth	192 kHz	Information only	N/A

MEASUREMENT UNCERTAINTIES

ISO/IEC 17025 requires that an estimate of the measurement uncertainties associated with the emissions test results be included in the report. The measurement uncertainties given below are based on a 95% confidence level and were calculated in accordance with UKAS document LAB 34.

Measurement Type	Frequency Range (MHz)	Calculated Uncertainty (dB)
Conducted Emissions	0.15 to 30	± 2.4
Radiated Emissions	0.015 to 30	± 3.0
Radiated Emissions	30 to 1000	± 3.6
Radiated Emissions	1000 to 40000	± 6.0

EQUIPMENT UNDER TEST (EUT) DETAILS**GENERAL**

The Savi Technology, Inc. model ST-673-030 is an RF Tagging device that is designed to identify the container to which it is attached to the Savi System. Normally, the EUT would be mounted to a container or similar piece of equipment. The EUT was treated as table-top equipment during testing to simulate the end user environment. The EUT is battery operated.

A response from the EUT is initiated by a 123 kHz signal from a Savi SignPost or 433.92 MHz signal from a Savi Reader. Upon receiving the initiation signal the EUT transmits a signal at 433.92 MHz. This signal is comprised of SignPost ID and Tag ID.

A response from the EUT is initiated by a 433.92 MHz Savi Reader signal. Upon receiving the initiation signal the EUT transmits a signal at 433.92 MHz. This signal is comprised of Tag ID.

The sample was received on December 9, 2008 and tested on December 9 and December 11, 2008. The EUT consisted of the following component(s):

Manufacturer	Model	Description	Serial Number	FCC ID
Savi Technology	ST-673-030	RFID tag	0004	KL7-673T-V2

ANTENNA SYSTEM AND OTHER EUT DETAILS

The EUT transmits at 433.92 MHz using FSK modulated pulses. The antenna is integral to the device, thereby meeting the requirements of FCC 15.203.

ENCLOSURE

The EUT enclosure is primarily constructed of plastic. Model ST-673-030 is provided with steel mounting bracket and measures approximately 6.5 cm wide by 3.5 cm deep by 15.5 cm high.

MODIFICATIONS

The EUT did not require modifications during testing in order to comply with emissions specifications.

SUPPORT EQUIPMENT

No support equipment was used during emissions testing.

EUT INTERFACE PORTS

The I/O cabling configuration during emissions testing was as follows:

Port	Connected To	Cable(s)		
		Description	Shielded or Unshielded	Length(m)
None	-	-	-	-

The USB port is for configuration purposes only.

EUT OPERATION

The transmitter was set to continuously transmit at 433.92 MHz for transmitter related tests and in a continuous receive mode for receiver related tests.

TEST SITE**GENERAL INFORMATION**

Final test measurements were taken on December 9 and December 11, 2008 at the test sites listed below. Pursuant to section 2.948 of the FCC's Rules and section 3.3 of RSP-100, construction, calibration, and equipment data has been filed with the Commission and with industry Canada.

Site	Registration Numbers		Location
	FCC	Canada	
SVOATS #2	90593	2845A-2	684 West Maude Ave, Sunnyvale CA 94085-3518

ANSI C63.4-2003 recommends that ambient noise at the test site be at least 6 dB below the allowable limits. Ambient levels are below this requirement with the exception, on OATS sites, of predictable local TV, radio, and mobile communications traffic. The test site(s) contain separate areas for radiated and conducted emissions testing. Considerable engineering effort has been expended to ensure that the facilities conform to all pertinent requirements of ANSI C63.4-2003.

CONDUCTED EMISSIONS CONSIDERATIONS

Conducted emissions testing is performed in conformance with ANSI C63.4-2003. Measurements are made with the EUT connected to the public power network through a nominal, standardized RF impedance, which is provided by a line impedance stabilization network, known as a LISN. A LISN is inserted in series with each current-carrying conductor in the EUT power cord.

RADIATED EMISSIONS CONSIDERATIONS

The FCC has determined that radiation measurements made in a shielded enclosure are not suitable for determining levels of radiated emissions. Radiated measurements are performed in an open field environment or in a semi-anechoic chamber. The test sites are maintained free of conductive objects within the CISPR defined elliptical area incorporated in ANSI C63.4-2003 guidelines and meet the Normalized Site Attenuation (NSA) requirements of ANSI C63.4-2003.

MEASUREMENT INSTRUMENTATION

RECEIVER SYSTEM

An EMI receiver as specified in CISPR 16-1-1 is used for emissions measurements. The receivers used can measure over the frequency range of 9 kHz up to 2000 MHz. These receivers allow both ease of measurement and high accuracy to be achieved. The receivers have Peak, Average, and CISPR (Quasi-peak) detectors built into their design so no external adapters are necessary. The receiver automatically sets the required bandwidth for the CISPR detector used during measurements. If the repetition frequency of the signal being measured is below 20Hz, peak measurements are made in lieu of Quasi-Peak measurements.

For measurements above the frequency range of the receivers, a spectrum analyzer is utilized because it provides visibility of the entire spectrum along with the precision and versatility required to support engineering analysis. Average measurements above 1000MHz are performed on the spectrum analyzer using the linear-average method with a resolution bandwidth of 1 MHz and a video bandwidth of 10 Hz, unless the signal is pulsed in which case the average (or video) bandwidth of the measuring instrument is reduced to onset of pulse desensitization and then increased.

INSTRUMENT CONTROL COMPUTER

The receivers utilize either a Rohde & Schwarz EZM Spectrum Monitor/Controller or contain an internal Spectrum Monitor/Controller to view and convert the receiver measurements to the field strength at an antenna or voltage developed at the LISN measurement port, which is then compared directly with the appropriate specification limit. This provides faster, more accurate readings by performing the conversions described under Sample Calculations within the Test Procedures section of this report. Results are printed in a graphic and/or tabular format, as appropriate. A personal computer is used to record all measurements made with the receivers.

The Spectrum Monitor provides a visual display of the signal being measured. In addition, the controller or a personal computer run automated data collection programs which control the receivers. This provides added accuracy since all site correction factors, such as cable loss and antenna factors are added automatically.

LINE IMPEDANCE STABILIZATION NETWORK (LISN)

Line conducted measurements utilize a fifty microhenry Line Impedance Stabilization Network as the monitoring point. The LISN used also contains a 250 uH CISPR adapter. This network provides for calibrated radio frequency noise measurements by the design of the internal low pass and high pass filters on the EUT and measurement ports, respectively.

FILTERS/ATTENUATORS

External filters and precision attenuators are often connected between the receiving antenna or LISN and the receiver. This eliminates saturation effects and non-linear operation due to high amplitude transient events.

ANTENNAS

A loop antenna is used below 30 MHz. For the measurement range 30 MHz to 1000 MHz either a combination of a biconical antenna and a log periodic or a bi-log antenna is used. Above 1000 MHz, horn antennas are used. The antenna calibration factors to convert the received voltage to an electric field strength are included with appropriate cable loss and amplifier gain factors to determine an overall site factor, which is then programmed into the test receivers or incorporated into the test software.

ANTENNA MAST AND EQUIPMENT TURNTABLE

The antennas used to measure the radiated electric field strength are mounted on a non-conductive antenna mast equipped with a motor-drive to vary the antenna height. Measurements below 30 MHz are made with the loop antenna at a fixed height of 1m above the ground plane.

ANSI C63.4:2003 specifies that the test height above ground for table mounted devices shall be 80 centimeters. Floor mounted equipment shall be placed on the ground plane if the device is normally used on a conductive floor or separated from the ground plane by insulating material from 3 to 12 mm if the device is normally used on a non-conductive floor. During radiated measurements, the EUT is positioned on a motorized turntable in conformance with this requirement.

INSTRUMENT CALIBRATION

All test equipment is regularly checked to ensure that performance is maintained in accordance with the manufacturer's specifications. All antennas are calibrated at regular intervals with respect to tuned half-wave dipoles. An exhibit of this report contains the list of test equipment used and calibration information.

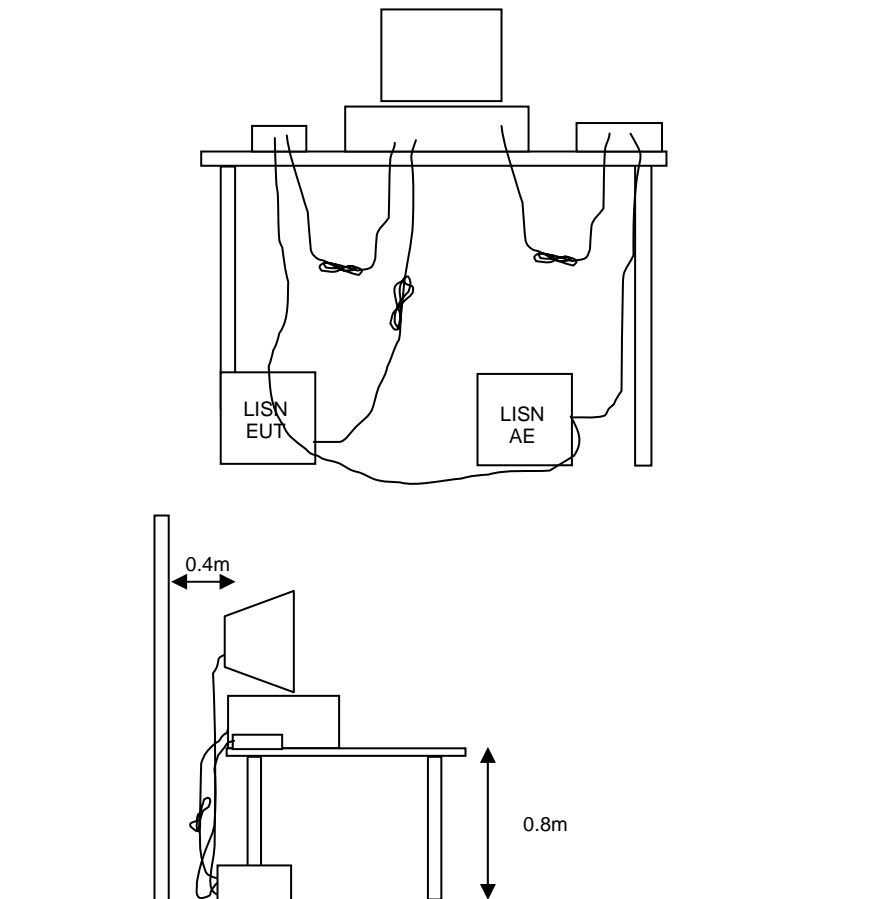
TEST PROCEDURES

EUT AND CABLE PLACEMENT

The regulations require that interconnecting cables be connected to the available ports of the unit and that the placement of the unit and the attached cables simulate the worst case orientation that can be expected from a typical installation, so far as practicable. To this end, the position of the unit and associated cabling is varied within the guidelines of ANSI C63.4:2003, and the worst-case orientation is used for final measurements.

CONDUCTED EMISSIONS

Conducted emissions are measured at the plug end of the power cord supplied with the EUT. Excess power cord length is wrapped in a bundle between 30 and 40 centimeters in length near the center of the cord. Preliminary measurements are made to determine the highest amplitude emission relative to the specification limit for all the modes of operation. Placement of system components and varying of cable positions are performed in each mode. A final peak mode scan is then performed in the position and mode for which the highest emission was noted on all current carrying conductors of the power cord.



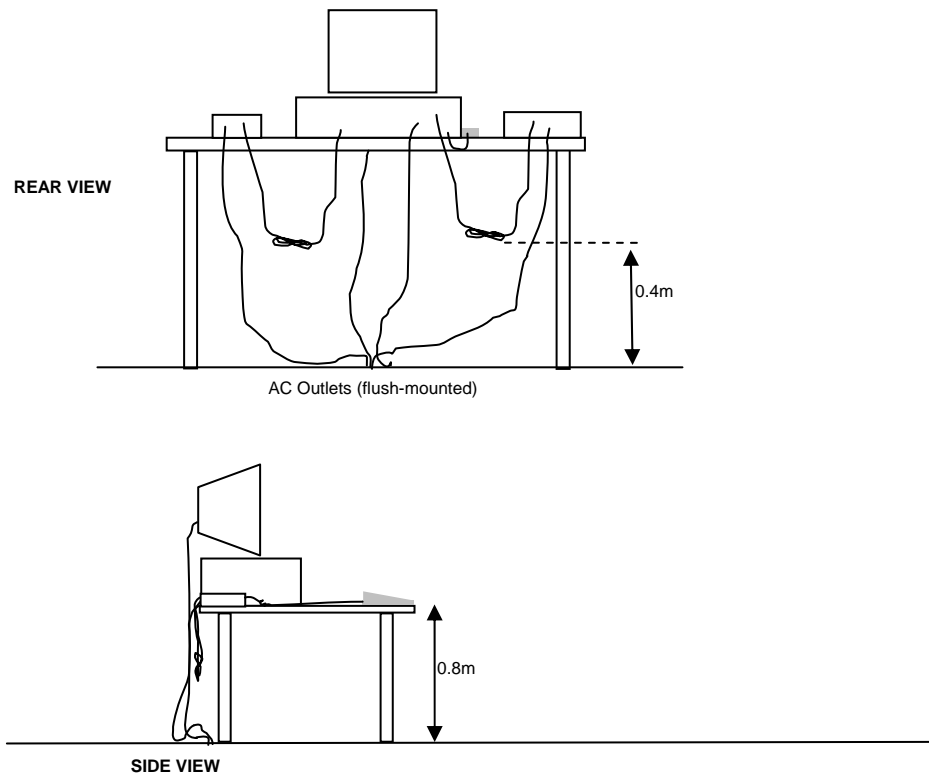
RADIATED EMISSIONS

A preliminary scan of the radiated emissions is performed in which all significant EUT frequencies are identified with the system in a nominal configuration. At least two scans are performed, one scan for each antenna polarization (horizontal and vertical; loop parallel and perpendicular to the EUT). During the preliminary scans, the EUT is rotated through 360°, the antenna height is varied (for measurements above 30 MHz) and cable positions are varied to determine the highest emission relative to the limit. Preliminary scans may be performed in a fully anechoic chamber for the purposes of identifying the frequencies of the highest emissions from the EUT.

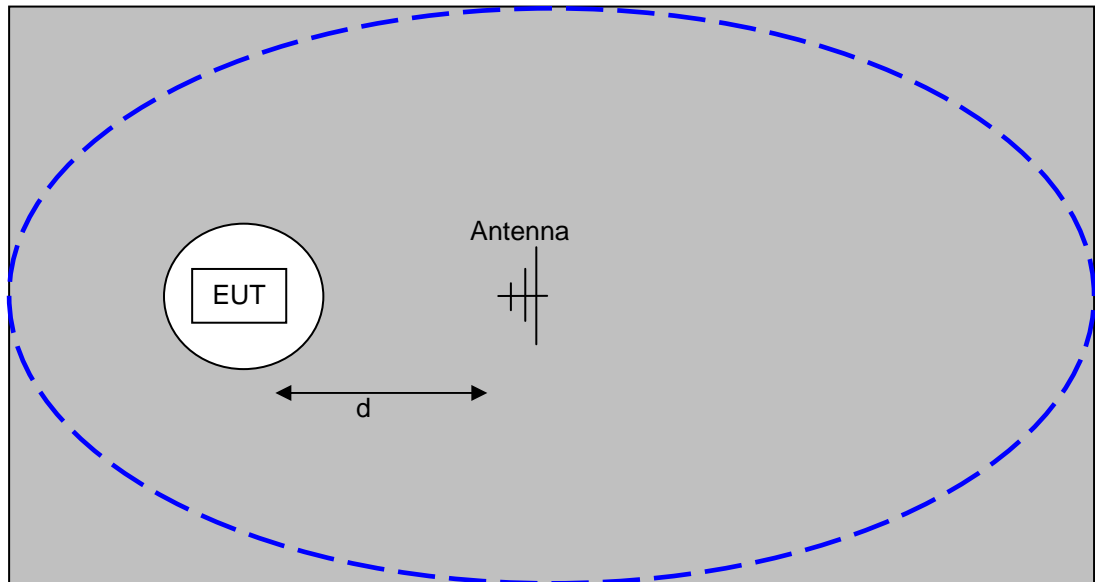
A speaker is provided in the receiver to aid in discriminating between EUT and ambient emissions. Other methods used during the preliminary scan for EUT emissions involve scanning with near field magnetic loops, monitoring I/O cables with RF current clamps, and cycling power to the EUT.

Final maximization is a phase in which the highest amplitude emissions identified in the spectral search are viewed while the EUT azimuth angle is varied from 0 to 360 degrees relative to the receiving antenna. The azimuth, which results in the highest emission is then maintained while varying the antenna height from one to four meters (for measurements above 30 MHz, measurements below 30 MHz are made with the loop antenna at a fixed height of 1m). The result is the identification of the highest amplitude for each of the highest peaks. Each recorded level is corrected in the receiver using appropriate factors for cables, connectors, antennas, and preamplifier gain.

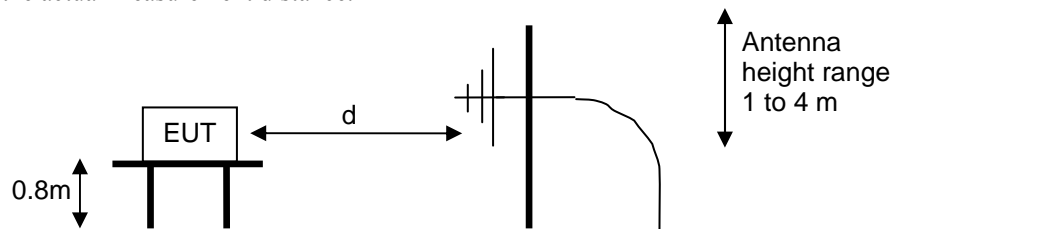
When testing above 18 GHz, the receive antenna is located at 1 meter from the EUT and the antenna height is restricted to a maximum of 2.5 meters.



Typical Test Configuration for Radiated Field Strength Measurements



The ground plane extends beyond the ellipse defined in CISPR 16 / CISPR 22 / ANSI C63.4 and is large enough to accommodate test distances (d) of 3m and 10m. Refer to the test data tables for the actual measurement distance.



Test Configuration for Radiated Field Strength Measurements
OATS- Plan and Side Views

BANDWIDTH MEASUREMENTS

The 6dB, 20dB and/or 26dB signal bandwidth is measured in using the bandwidths recommended by ANSI C63.4. When required, the 99% bandwidth is measured using the methods detailed in RSS GEN.

SPECIFICATION LIMITS AND SAMPLE CALCULATIONS

The limits for conducted emissions are given in units of microvolts, and the limits for radiated emissions are given in units of microvolts per meter at a specified test distance. Data is measured in the logarithmic form of decibels relative to one microvolt, or dB microvolts (dBuV). For radiated emissions, the measured data is converted to the field strength at the antenna in dB microvolts per meter (dBuV/m). The results are then converted to the linear forms of uV and uV/m for comparison to published specifications. For reference, converting the specification limits from linear to decibel form is accomplished by taking the base ten logarithm, then multiplying by 20. These limits in both linear and logarithmic form are as follows:

GENERAL TRANSMITTER RADIATED EMISSIONS SPECIFICATION LIMITS

The table below shows the limits for the spurious emissions from transmitters that fall in restricted bands¹ (with the exception of transmitters operating under FCC Part 15 Subpart D and RSS 210 Annex 9), the limits for all emissions from a low power device operating under the general rules of RSS 310 (tables 3 and 4), RSS 210 (table 2) and FCC Part 15 Subpart C section 15.209.

Frequency Range (MHz)	Limit (uV/m)	Limit (dBuV/m @ 3m)
0.009-0.490	2400/F _{KHz} @ 300m	67.6-20*log ₁₀ (F _{KHz}) @ 300m
0.490-1.705	24000/F _{KHz} @ 30m	87.6-20*log ₁₀ (F _{KHz}) @ 30m
1.705 to 30	30 @ 30m	29.5 @ 30m
30 to 88	100 @ 3m	40 @ 3m
88 to 216	150 @ 3m	43.5 @ 3m
216 to 960	200 @ 3m	46.0 @ 3m
Above 960	500 @ 3m	54.0 @ 3m

SAMPLE CALCULATIONS - CONDUCTED EMISSIONS

Receiver readings are compared directly to the conducted emissions specification limit (decibel form) as follows:

$$R_r - S = M$$

where:

R_r = Receiver Reading in dBuV

S = Specification Limit in dBuV

M = Margin to Specification in +/- dB

¹ The restricted bands are detailed in FCC 15.203, RSS 210 Table 1 and RSS 310 Table 2

SAMPLE CALCULATIONS - RADIATED EMISSIONS

Receiver readings are compared directly to the specification limit (decibel form). The receiver internally corrects for cable loss, preamplifier gain, and antenna factor. The calculations are in the reverse direction of the actual signal flow, thus cable loss is added and the amplifier gain is subtracted. The Antenna Factor converts the voltage at the antenna coaxial connector to the field strength at the antenna elements.

A distance factor, when used for electric field measurements above 30MHz, is calculated by using the following formula:

$$F_d = 20 * \text{LOG}_{10} (D_m/D_s)$$

where:

$$F_d = \text{Distance Factor in dB}$$

$$D_m = \text{Measurement Distance in meters}$$

$$D_s = \text{Specification Distance in meters}$$

For electric field measurements below 30MHz the extrapolation factor is either determined by making measurements at multiple distances or a theoretical value is calculated using the formula:

$$F_d = 40 * \text{LOG}_{10} (D_m/D_s)$$

Measurement Distance is the distance at which the measurements were taken and Specification Distance is the distance at which the specification limits are based. The antenna factor converts the voltage at the antenna coaxial connector to the field strength at the antenna elements.

The margin of a given emission peak relative to the limit is calculated as follows:

$$R_c = R_r + F_d$$

and

$$M = R_c - L_s$$

where:

$$R_r = \text{Receiver Reading in dBuV/m}$$

$$F_d = \text{Distance Factor in dB}$$

$$R_c = \text{Corrected Reading in dBuV/m}$$

$$L_s = \text{Specification Limit in dBuV/m}$$

$$M = \text{Margin in dB Relative to Spec}$$

SAMPLE CALCULATIONS - FIELD STRENGTH TO EIRP CONVERSION

Where the radiated electric field strength is expressed in terms of the equivalent isotropic radiated power (eirp), or where a field strength measurement of output power is made in lieu of a direct measurement, the following formula is used to convert between eirp and field strength at a distance of 3m from the equipment under test:

$$E = \frac{1000000 \sqrt{30 P}}{3} \text{ microvolts per meter}$$

where P is the eirp (Watts)

EXHIBIT 1: Test Equipment Calibration Data

1 Page

Radiated Emissions, 30 - 4,400 MHz, 10-15 of Dec 2008

Engineer: Mehran Birgani

<u>Manufacturer</u>	<u>Description</u>	<u>Model #</u>	<u>Asset #</u>	<u>Cal Due</u>
Elliott Laboratories	Biconical Antenna, 30-300 MHz	EL30.300	54	26-Mar-09
Elliott Laboratories	Log Periodic Antenna 300-1000 MHz	EL300.10	55	27-Feb-09
Hewlett Packard	EMC Spectrum Analyzer, 9 kHz - 6.5 GHz	8595EM	780	09-Dec-08
Hewlett Packard	Microwave Preamplifier, 1-26.5GHz	8449B	870	09-Oct-09
Filtek	Filter, 1 GHz High Pass	HP12/10C	956	30-Jul-09
Rohde & Schwarz	Test Receiver, 0.009-2750 MHz	ESN	1332	29-Jan-09
EMCO	Antenna, Horn, 1-18 GHz	3115	1561	10-Jun-10

EXHIBIT 2: Test Measurement Data

10 Pages



EMC Test Data

Client:	Savi	Job Number:	J73782
Model:	ST-673-030	T-Log Number:	T73902
		Account Manager:	Sherren Washington
Contact:	Eugene Schlindwein	Project Engineer:	David Bare
Emissions Spec:	FCC 15.231(a/e); FCC 15.240	Class:	A
Immunity Spec:	-	Environment:	-

EMC Test Data

For The

Savi

Model

ST-673-030

Date of Last Test: 12/12/2008

Client:	Savi	Job Number:	J73782
Model:	ST-673-030	T-Log Number:	T73902
Contact:	Eugene Schindwein	Account Manager:	Sherren Washington
Emissions Spec:	FCC 15.231(a/e); FCC 15.240	Project Engineer:	David Bare
Immunity Spec:	-	Class:	A
		Environment:	-

EUT INFORMATION

General Description

The EUT is an RF Tagging device which is designed to identify the container to which it is attached to the Savi System. Normally, the EUT would be mounted to a container or similar piece of equipment. The EUT was treated as table-top equipment during testing to simulate the end user environment. The EUT is battery operated.

A response from the EUT is initiated by a 123 kHz signal from a Savi SignPost or 433.92 MHz signal from a Savi Reader. Upon receiving the initiation signal the EUT transmits a signal at 433.92 MHz. This signal is comprised of SignPost ID and Tag ID.

A response from the EUT is initiated by a 433.92 MHz Savi Reader signal. Upon receiving the initiation signal the EUT transmits a signal at 433.92 MHz. This signal is comprised of Tag ID.

Equipment Under Test

Manufacturer	Model	Description	Serial Number	FCC ID
Savi Technology	ST-673-030	RFID tag	0004	KL7-673T-V2

EUT Antenna

The EUT transmits at 433.92 MHz using FSK modulated pulses. The antenna is integral to the device, thereby meeting the requirements of FCC 15.203.

EUT Enclosure

The EUT enclosure is primarily constructed of plastic. Model ST-673-030 is provided with steel mounting bracket and measures approximately 6.5 cm wide by 3.5 cm deep by 15.5 cm high.

Modification History

Mod. #	Test	Date	Modification
1	-	-	None

Modifications applied are assumed to be used on subsequent tests unless otherwise stated as a further modification.



EMC Test Data

Client:	Savi	Job Number:	J73782
Model:	ST-673-030	T-Log Number:	T73902
Contact:	Eugene Schindwein	Account Manager:	Sherren Washington
Emissions Spec:	FCC 15.231(a/e); FCC 15.240	Project Engineer:	David Bare
Immunity Spec:	-	Class:	A
		Environment:	-

Test Configuration #1

Local Support Equipment

Manufacturer	Model	Description	Serial Number	FCC ID
None				

Remote Support Equipment

Manufacturer	Model	Description	Serial Number	FCC ID
None				

Interface Cabling and Ports

Port	Connected To	Cable(s)		
		Description	Shielded or Unshielded	Length(m)
None				

The USB ports is for configuration purposes only.

EUT Operation During Emissions Tests

The transmitter was set to continuously transmit at 433.92 MHz for transmitter related tests and in a continuous receive mode for receiver related tests.

Client: Savi	Job Number: J73782
Model: ST-673-030	T-Log Number: T73902
Contact: Eugene Schlindwein	Account Manager: Sherren Washington
Spec: FCC 15.231(a/e); FCC 15.240	Project Engineer: David Bare
	Class: A

Radiated Emissions

Test Specifics

Objective: The objective of this test session is to perform final qualification testing of the EUT with respect to the specification listed above.

General Test Configuration

The EUT was located on the turntable for radiated emissions testing.

Note, **preliminary** testing indicates that the emissions were maximized by orientation of the EUT and elevation of the measurement antenna. **Maximized** testing indicated that the emissions were maximized by orientation of the EUT, elevation of the measurement antenna, and manipulation of the EUT's interface cables.

Note, for testing above 1 GHz, the FCC specifies the limit as an average measurement. In addition, the FCC states that the peak reading of any emission above 1 GHz, can not exceed the average limit by more than 20 dB.

Ambient Conditions:
 Temperature (°C): 17-25
 Rel. Humidity (%): 30-55

Modifications Made During Testing:

Special software is loaded into the device prior to testing to allow continuous transmission for ease of testing.

Deviations From The Standard

No deviations were made from the requirements of the standard.

Summary of Results

Run #	Test Performed	Limit	Result	Margin
1a	RE, 433.92MHz, Fundamental	15.231(e) / RSS 210	Pass	71.9dB μ V/m (3935.5 μ V/m) @ 433.91MHz (-1.0dB)
1a	RE, 433.92MHz, Fundamental	15.231(a) / RSS 210	Pass	79.9dB μ V/m (9885.5 μ V/m) @ 433.91MHz (-0.9dB)
1a	RE, 433.92MHz, Fundamental	15.240 / RSS-210	Pass	79.9dB μ V/m (9885.5 μ V/m) @ 433.91MHz (-0.9dB)
1b	RE, Tx Spurious Emissions	FCC 15.209	Pass	36.1dB μ V/m (63.8 μ V/m) @ 867.82MHz (-9.9dB)
2	RE, RxSpurious Emissions	15.109 & RSS-GEN	Pass	55.4dB μ V/m (588.8 μ V/m) @ 1735.8MHz (-18.6dB)
3	Bandwidth (20dB)	15.231 / RSS 210	Pass	458 kHz
3	Bandwidth (99%)	RSS-GEN	N/A	192 kHz

Client: Savi	Job Number: J73782
Model: ST-673-030	T-Log Number: T73902
Contact: Eugene Schindwein	Account Manager: Sherren Washington
Spec: FCC 15.231(a/e); FCC 15.240	Project Engineer: David Bare
	Class: A

Run #1: Radiated Emissions, 30 MHz - 4.3 GHz

Date of Test: 12/9/2008
 Test Engineer: Mehran Birgani
 Test Location: SVOATS #2

Config. Used: 1
 Config Change: None
 EUT Voltage: Battery

Run #1a: Fundamental Measurement of 433.923

Operation under 15.231(e)

Frequency	Level	Pol	FCC 15.231(e)		Detector	Azimuth	Height	Comments
MHz	dB μ V/m	V/H	Limit	Margin	Pk/QP/Avg	degrees	meters	
433.909	71.9	V	72.9	-1.0	AVG	360	1.1	Upright
433.909	64.5	H	72.9	-8.4	AVG	280	1.0	Upright
433.910	71.3	H	72.9	-1.6	AVG	202	1.0	Side
433.910	71.0	H	72.9	-1.9	AVG	20	1.0	Flat
433.910	68.3	V	72.9	-4.6	AVG	122	1.1	Flat
433.910	59.1	V	72.9	-13.8	AVG	136	2.4	Side
433.909	91.9	V	92.9	-1.0	PK	360	1.1	Upright
433.909	84.5	H	92.9	-8.4	PK	280	1.0	Upright
433.910	91.3	H	92.9	-1.6	PK	202	1.0	Side
433.910	91.0	H	92.9	-1.9	PK	20	1.0	Flat
433.910	88.3	V	92.9	-4.6	PK	122	1.1	Flat
433.910	79.1	V	92.9	-13.8	PK	136	2.4	Side

Note 1: Duty cycle is 10% . A -20dB correction was used to determine the average level from the peak reading

Operation under 15.231(a)

Frequency	Level	Pol	FCC 15.231(a)		Detector	Azimuth	Height	Comments
MHz	dB μ V/m	V/H	Limit	Margin	Pk/QP/Avg	degrees	meters	
433.909	79.9	V	80.8	-0.9	AVG	360	1.1	Upright
433.909	91.9	V	100.8	-8.9	PK	360	1.1	Upright

Note 1: Duty cycle is 25% . A -12dB correction was used to determine the average level from the peak reading

Note 2: Peak readings made using a receiver and measurement bandwidth set to 120kHz.

Operation under 15.240

Frequency	Level	Pol	FCC 15.240		Detector	Azimuth	Height	Comments
MHz	dB μ V/m	V/H	Limit	Margin	Pk/QP/Avg	degrees	meters	
433.909	79.9	V	80.8	-0.9	AVG	360	1.1	Upright
433.909	91.9	V	94.8	-2.9	PK	360	1.1	Upright

Note 1: Duty cycle is 25% . A -12dB correction was used to determine the average level from the peak reading

Note 2: Peak readings made using a receiver and measurement bandwidth set to 120kHz.



EMC Test Data

Client:	Savi	Job Number:	J73782
Model:	ST-673-030	T-Log Number:	T73902
Contact:	Eugene Schindwein	Account Manager:	Sherren Washington
Spec:	FCC 15.231(a/e); FCC 15.240	Project Engineer:	David Bare
		Class:	A

Run #1b: Spurious Emissions, 30-4400 MHz (Tx Mode)

Frequency MHz	Level dBµV/m	Pol v/h	FCC 15.209		Detector Pk/QP/Avg	Azimuth degrees	Height meters	Comments
			Limit	Margin				
867.817	32.1	V	46.0	-13.9	QP	3	1.1	Upright
867.818	36.1	H	46.0	-9.9	QP	156	1.0	Side
867.818	34.9	H	46.0	-11.1	QP	41	1.0	Flat
867.818	33.4	V	46.0	-12.6	QP	85	1.2	Flat
867.818	30.8	H	46.0	-15.2	QP	118	1.1	Upright
867.818	30.5	V	46.0	-15.5	QP	80	1.0	Side
1301.530	30.1	V	54.0	-23.9	AVG	277	1.6	Flat
1301.640	34.1	H	54.0	-19.9	AVG	174	2.3	Side
1301.660	34.1	V	54.0	-19.9	AVG	191	1.0	Side
1301.730	32.9	V	54.0	-21.1	AVG	217	1.0	Upright
1301.830	30.7	H	54.0	-23.3	AVG	53	1.0	Flat
1301.910	34.4	H	54.0	-19.6	AVG	249	1.5	Upright
1735.500	40.1	V	54.0	-13.9	AVG	276	2.3	Flat
1735.540	38.2	V	54.0	-15.8	AVG	167	2.3	Side
1735.630	43.2	H	54.0	-10.8	AVG	185	2.1	Side
1735.770	43.4	V	54.0	-10.6	AVG	181	2.1	Upright
1735.770	37.7	H	54.0	-16.3	AVG	180	1.5	Upright
1735.770	36.4	H	54.0	-17.6	AVG	301	2.3	Flat
2169.480	38.1	H	54.0	-15.9	AVG	191	2.3	Flat
2169.570	40.8	H	54.0	-13.2	AVG	214	2.3	Side
2169.570	38.3	H	54.0	-15.7	AVG	174	1.6	Upright
2169.620	37.5	V	54.0	-16.5	AVG	277	1.0	Flat
2169.640	41.0	V	54.0	-13.0	AVG	276	1.3	Upright
2169.700	37.6	V	54.0	-16.4	AVG	223	1.0	Side
2603.240	35.2	V	54.0	-18.8	AVG	272	1.7	Flat
2603.260	38.8	H	54.0	-15.2	AVG	197	1.9	Side
2603.560	37.4	H	54.0	-16.6	AVG	181	1.9	Flat
2603.600	37.5	V	54.0	-16.5	AVG	241	1.3	Upright
2603.660	35.0	V	54.0	-19.0	AVG	186	1.8	Side
2603.730	36.9	H	54.0	-17.1	AVG	110	1.6	Upright
1301.530	42.1	V	74.0	-31.9	PK	277	1.6	Flat
1301.640	46.1	H	74.0	-27.9	PK	174	2.3	Side
1301.660	46.1	V	74.0	-27.9	PK	191	1.0	Side
1301.730	44.9	V	74.0	-29.1	PK	217	1.0	Upright
1301.830	42.7	H	74.0	-31.3	PK	53	1.0	Flat
1301.910	46.4	H	74.0	-27.6	PK	249	1.5	Upright
1735.500	52.1	V	74.0	-21.9	PK	276	2.3	Flat

Client:	Savi	Job Number:	J73782
Model:	ST-673-030	T-Log Number:	T73902
Contact:	Eugene Schlindwein	Account Manager:	Sherren Washington
Spec:	FCC 15.231(a/e); FCC 15.240	Project Engineer:	David Bare
		Class:	A

Run #1b: Spurious Emissions, 30-4400 MHz (Tx Mode)

Frequency MHz	Level dB μ V/m	Pol v/h	FCC 15.209		Detector Pk/QP/Avg	Azimuth degrees	Height meters	Comments
			Limit	Margin				
1735.540	50.2	V	74.0	-23.8	PK	167	2.3	Side
1735.630	55.2	H	74.0	-18.8	PK	185	2.1	Side
1735.770	55.4	V	74.0	-18.6	PK	181	2.1	Upright
1735.770	49.7	H	74.0	-24.3	PK	180	1.5	Upright
1735.770	48.4	H	74.0	-25.6	PK	301	2.3	Flat
2169.480	50.1	H	74.0	-23.9	PK	191	2.3	Flat
2169.570	52.8	H	74.0	-21.2	PK	214	2.3	Side
2169.570	50.3	H	74.0	-23.7	PK	174	1.6	Upright
2169.620	49.5	V	74.0	-24.5	PK	277	1.0	Flat
2169.640	53.0	V	74.0	-21.0	PK	276	1.3	Upright
2169.700	49.6	V	74.0	-24.4	PK	223	1.0	Side
2603.240	47.2	V	74.0	-26.8	PK	272	1.7	Flat
2603.260	50.8	H	74.0	-23.2	PK	197	1.9	Side
2603.560	49.4	H	74.0	-24.6	PK	181	1.9	Flat
2603.600	49.5	V	74.0	-24.5	PK	241	1.3	Upright
2603.660	47.0	V	74.0	-27.0	PK	186	1.8	Side
2603.730	48.9	H	74.0	-25.1	PK	110	1.6	Upright

Note 1:	Worst case duty cycle for all three operational modes is 25% . A -12dB correction was used to determine the average level from the peak reading. All three orientations evaluated and all readings within 20dB of the limit were recorded.
Note 2:	Signal is not in a restricted band but the more stringent restricted band limit was used.
Note 3:	All harmonics were measured; however, the signals that were more than 20dB below the limit or were within the noise floor were not recorded.



EMC Test Data

Client: Savi	Job Number: J73782
Model: ST-673-030	T-Log Number: T73902
Contact: Eugene Schlindwein	Account Manager: Sherren Washington
Spec: FCC 15.231(a/e); FCC 15.240	Project Engineer: David Bare
	Class: A

Run #2: Spurious Emissions, Receive Mode, 30MHz - 2000 MHz

Date of Test: 12/11/2008 Config. Used: 1
 Test Engineer: Mehran Birgani Config Change: None
 Test Location: SV OATS #2 EUT Voltage: Battery

Frequency MHz	Level dB μ V/m	Pol V/H	FCC 15.109		Detector Pk/QP/Avg	Azimuth degrees	Height meters	Comments
			Limit	Margin				
1270.400	42.2	H	54.0	-11.8	PK	360	1.0	Note 1, Flat, noise floor
1270.330	43.5	V	54.0	-10.5	PK	359	1.0	Note 1, Flat, noise floor
1268.370	42.4	V	54.0	-11.6	PK	17	1.0	Note 1, Upright, noise floor
1269.360	42.2	H	54.0	-11.8	PK	0	1.0	Note 1, Upright, noise floor
1269.860	42.0	H	54.0	-12.0	PK	0	1.0	Note 1, Side, noise floor
1270.170	42.2	V	54.0	-11.8	PK	10	1.0	Note 1, Side, noise floor
423.209	28.9	H	46.0	-17.1	QP	15	1.0	Side, Fundamental
423.209	23.1	V	46.0	-22.9	QP	143	1.0	Side, Fundamental
846.417	26.4	V	46.0	-19.6	QP	248	1.0	Side, noise floor
846.417	27.5	H	46.0	-18.5	QP	5	1.0	Side, noise floor
423.209	30.4	V	46.0	-15.6	QP	5	1.2	Upright, Fundamental
846.417	27.1	V	46.0	-18.9	QP	0	1.0	Upright, noise floor
423.209	25.2	H	46.0	-20.8	QP	260	1.0	Upright, Fundamental
846.417	27.1	H	46.0	-18.9	QP	360	1.0	Upright, noise floor
423.209	29.6	H	46.0	-16.4	QP	212	1.0	Flat, Fundamental
846.417	27.9	H	46.0	-18.1	QP	300	1.0	Flat, noise floor
423.209	28.8	V	46.0	-17.2	QP	87	1.1	Flat, Fundamental
846.417	27.3	V	46.0	-17.8	QP	19	1.0	Flat, noise floor

Note 1: Peak readings with the average limit.

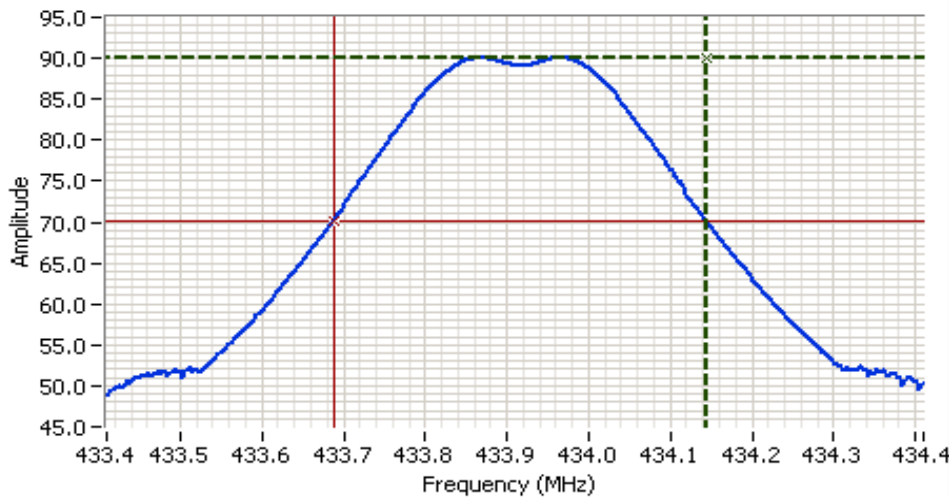
Client: Savi	Job Number: J73782
Model: ST-673-030	T-Log Number: T73902
Contact: Eugene Schlindwein	Account Manager: Sherren Washington
Spec: FCC 15.231(a/e); FCC 15.240	Project Engineer: David Bare
	Class: A

Run #3: Transmit Mode (433.92 MHz) - Bandwidth

Date of Test: 12/9/2008
 Test Engineer: MehraN Birgani
 Test Location: SVOATS #2

Config. Used: 1
 Config Change: None
 EUT Voltage: Battery

Signal bandwidth was measured to be 490 kHz (see graph below - RB=VB=100kHz). The maximum permitted bandwidth is 0.25% of the fundamental signal level = 1.08MHz



Analyzer Settings

HP8595EM

CF: 433.910 MHz
 SPAN: 1.000 MHz
 RB 100 kHz
 VB 30.0 kHz
 Detector POS
 Att 10
 RL Offset 0.00
 Sweep Time 20.0ms
 Ref Lvl: 107.00DBUV

Comments

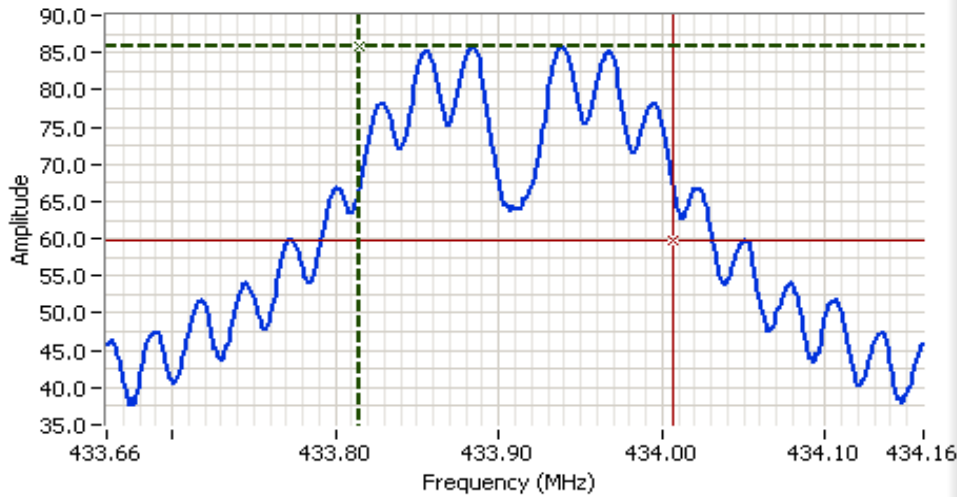
20dB BW: 458 kHz

Cursor 1	434.1450	90.05	
Cursor 2	433.6875	70.05	

Delta Freq. 458 kHz
 Delta Amplitude 20.00



Client: Savi	Job Number: J73782
Model: ST-673-030	T-Log Number: T73902
Contact: Eugene Schlindwein	Account Manager: Sherren Washington
Spec: FCC 15.231(a/e); FCC 15.240	Project Engineer: David Bare
	Class: A



Analyzer Settings

HP8595EM

CF: 433.910 MHz
 SPAN: 500 kHz
 RB 10.00 kHz
 VB 30.0 kHz
 Detector POS
 Att 10
 RL Offset 0.00
 Sweep Time 30.0ms
 Ref Lvl: 98.00DBUV

Comments

99% BW: 192 kHz

Cursor 1	433.8146	85.70	
Cursor 2	434.0066	59.70	

Delta Freq. 192 kHz

Delta Amplitude 26.00



EXHIBIT 3: Photographs of Test Configurations

EXHIBIT 4: Proposed FCC ID Label & Label Location

***EXHIBIT 5: Detailed Photographs
of Savi Technology, Inc. Model ST-673-030 Construction***

Pages

***EXHIBIT 6: Operator's Manual
for Savi Technology, Inc. Model ST-673-030***

Pages

***EXHIBIT 7: Block Diagram
of Savi Technology, Inc. Model ST-673-030***

Pages

***EXHIBIT 8: Schematic Diagrams
for Savi Technology, Inc. Model ST-673-030***

Pages

***EXHIBIT 9: Theory of Operation
for Savi Technology, Inc. Model ST-673-030***

Pages

EXHIBIT 10: Advertising Literature

Pages

EXHIBIT 11: RF Exposure Information

Pages