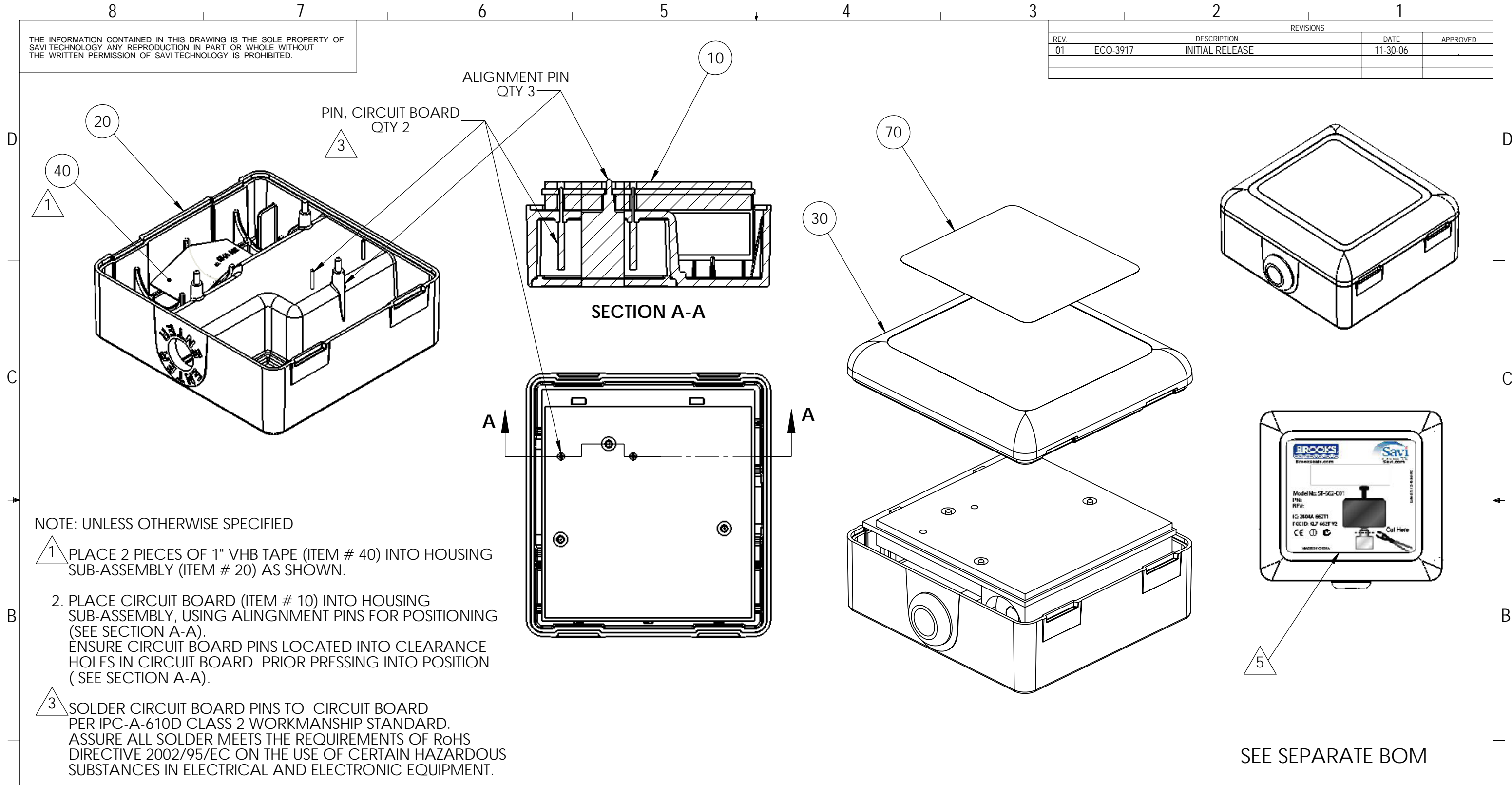


THE INFORMATION CONTAINED IN THIS DRAWING IS THE SOLE PROPERTY OF SAVI TECHNOLOGY ANY REPRODUCTION IN PART OR WHOLE WITHOUT THE WRITTEN PERMISSION OF SAVI TECHNOLOGY IS PROHIBITED.

REV.		DESCRIPTION	DATE	APPROVED
01	ECO-3917	INITIAL RELEASE	11-30-06	



NOTE: UNLESS OTHERWISE SPECIFIED

- 1 PLACE 2 PIECES OF 1" VHB TAPE (ITEM # 40) INTO HOUSING SUB-ASSEMBLY (ITEM # 20) AS SHOWN.
2. PLACE CIRCUIT BOARD (ITEM # 10) INTO HOUSING SUB-ASSEMBLY, USING ALINGMENT PINS FOR POSITIONING (SEE SECTION A-A). ENSURE CIRCUIT BOARD PINS LOCATED INTO CLEARANCE HOLES IN CIRCUIT BOARD PRIOR PRESSING INTO POSITION (SEE SECTION A-A).
- 3 SOLDER CIRCUIT BOARD PINS TO CIRCUIT BOARD PER IPC-A-610D CLASS 2 WORKMANSHIP STANDARD. ASSURE ALL SOLDER MEETS THE REQUIREMENTS OF RoHS DIRECTIVE 2002/95/EC ON THE USE OF CERTAIN HAZARDOUS SUBSTANCES IN ELECTRICAL AND ELECTRONIC EQUIPMENT.
4. INSTALL DOMED LID (ITEM #30) ONTO HOUSING-CIRCUIT BOARD ASSEMBLY. DOMED LID SHALL BE ULTRASONICALLY WELDED TO HOUSING ASSEMBLY USING PARAMETERS DEFINED BY DOCUMENT 510-00274-001.
- 5 ATTACH LABEL (ITEM # 70) ON DOMED LID (ITEM # 30) AS SHOWN.

SEE SEPARATE BOM

DASH NO.			NEXT ASSY.			USED ON			MATERIAL:			DRAWN: S. ABRAMOV			DATE: 11-09-06						
APPLICATION			FINISH:			THIRD ANGLE PROJECTION			UNLESS OTHERWISE SPECIFIED DIMENSIONS ARE IN INCHES TOLERANCES ARE:			CHECKED:			DATE:						
COMPUTER GENERATED DRAWING - DATA BASE MUST BE UPDATED			METRIC			INCHES			FRACTIONS			ANGLES			ENGINEER:			DATE:			
			± .			.X ± .			± 1/32			± 1°			PRODUCTION:			DATE:			
			.XX ± .			.XX ± .015									MATERIAL:			DATE:			
			.XX ± .			.XXX ± .005									SUSTAINING:			DATE:			
															PROJ. LEADER:			DATE:			
															DATA CNTRL: .110906			DATE:			
TITLE						Savi TECHNOLOGY						615 TASMAN DRIVE, SUNNYVALE, CA 94089-1707									
TOP ASSY, ST-662-001, SAVI EJ BROOKS												SIZE		CODE		DRAWING NO.				REV.	
B						859-00274-001						01									
SCALE: 1:1			FILE NAME: 859-00274-001.SLDDRW						SHEET 1 OF 1			UPDATED:									