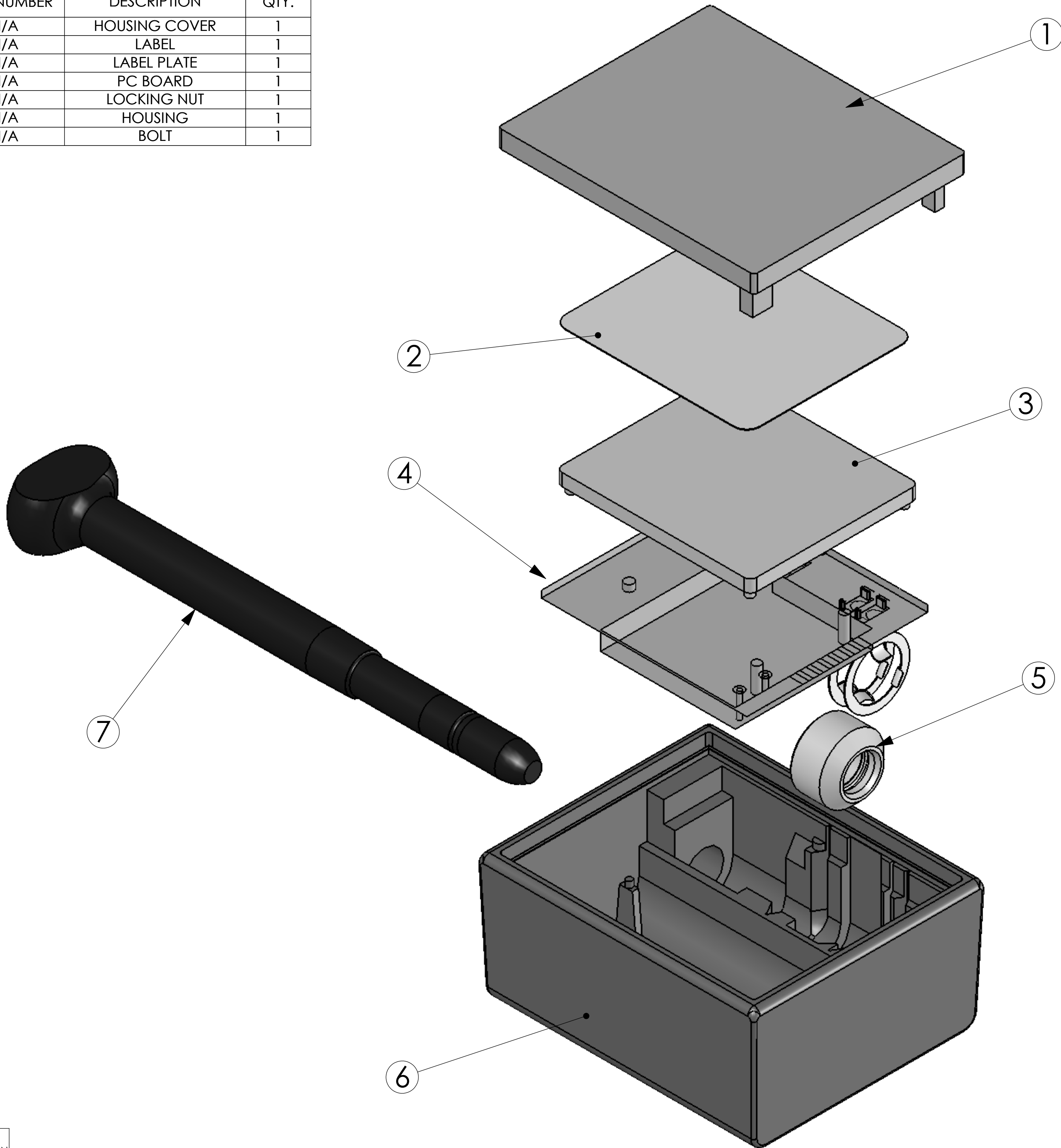


ITEM NO.	PART NUMBER	DESCRIPTION	QTY.
1	N/A	HOUSING COVER	1
2	N/A	LABEL	1
3	N/A	LABEL PLATE	1
4	N/A	PC BOARD	1
5	N/A	LOCKING NUT	1
6	N/A	HOUSING	1
7	N/A	BOLT	1



▲ CRITICAL DIMENSION  
 ▲ MAXIMUM DIMENSION

SYM	19	20	21
	CHANGE BY	APPROVED	DATE
	REVISION DESCRIPTION		

<b>BROOKS</b>		E.J. BROOKS CO.	
DRAWN BY JGD		DATE 7/6/04	
CHECKED BY JGD		<small>           TOLERANCES            UNLESS OTHERWISE SPECIFIED            ALL DIMENSIONS ARE IN US INCHES            DECIMALS          ±1/64            FRACTIONS          ±1/64            ANGLES                  ±0'-30"         </small>	
CONCEPT BY N/A			
APPROVED BY JGD			
DESCRIPTION			
EXPLODED VIEW ELECTRONIC BOLT SEAL			
MATERIAL		N/A	
HT TREAT/COAT		N/A	
NEXT ASSEMBLY		N/A	
SCALE 2:1		REVISION NONE	
DRAWING # R4192000-1-C			