

REVISION	DESCRIPTION OF CHANGE
A	ECO-4439: INITIAL RELEASE

6. ALL MATERIALS, FINISHES, MASKS AND COATINGS TO MEET THE REQUIREMENTS OF ROHS DIRECTIVE 2002/95/EC, ON THE RESTRICTION OF THE USE OF CERTAIN HAZARDOUS SUBSTANCES, IN ELECTRICAL AND ELECTRONIC EQUIPMENT.

5. COMPLIANCE SYMBOLS ARE IN ACCORDANCE WITH SPECIFICATION 735-03938-001.

4. LABEL DIMENSIONS MAY BE ADJUSTED TO CLOSEST STANDARD DIE.


3. SPECIFICATIONS

MATERIAL	.002 MATTE SILVER MYLAR WITH V23 ADHESIVE (1 MIL) OR APPROVED MATERIAL EQUIVALENT
COLOR	BLACK LETTERS ON SILVER BACKGROUND
FONT	ARIAL, ARIAL NARROW
LAMINATION	.001 COMPUCAL LAMINATION

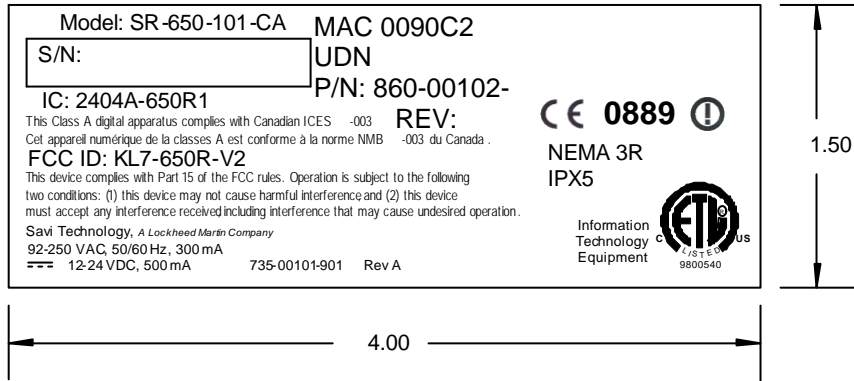
2. LABEL SHALL BE MANUFACTURED BY A UL APPROVED VENDOR. VENDOR SHALL HAVE A CURRENT SIGNED "PRINTER AGREEMENT" ON FILE WITH UL PER UL MARKING AND LABELING SYSTEMS AND SHALL SUPPLY EACH PACKAGE OR ROLL MARKED WITH COMPANY NAME AND LABEL DESIGNATION PER UL MARKING AND LABELING SYSTEMS.

1. DIMENSIONS ARE IN INCHES, ±.02

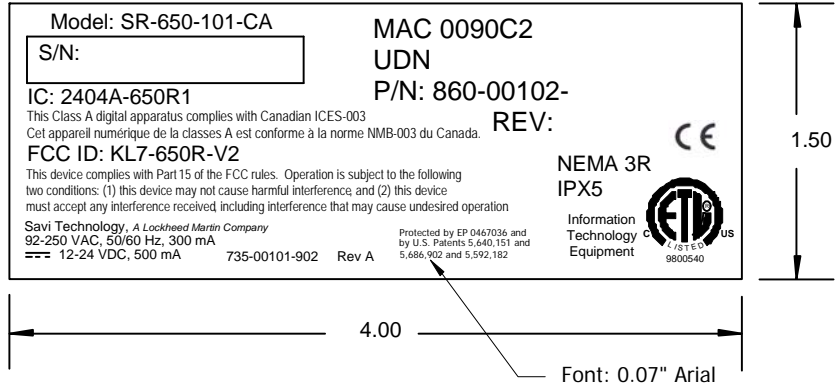
NOTES: (UNLESS OTHERWISE SPECIFIED)

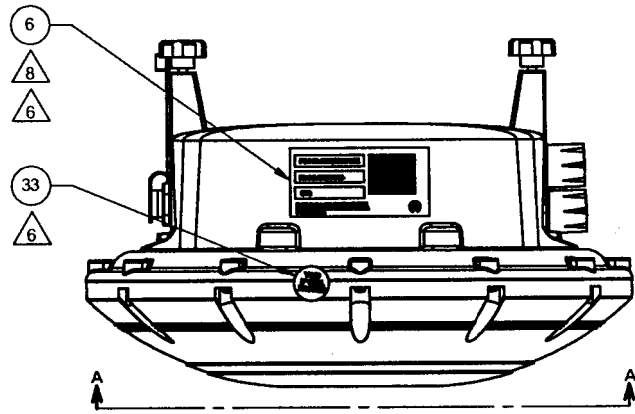
 <p>Savi TECHNOLOGY A Lockheed Martin Company</p>	<p>TITLE: LABEL, FCC ID/SERIAL NO/MODEL NO EP READER, SR-650-101-CA-X</p>	<p>DRAWING No 735-00101-TAB</p>	<p>REV: A</p>
<p>FILENAME: 735-00101A.doc</p>		<p>SHEET 1 OF 2</p>	

-901 (CE / NOTIFIED BODY MARK / US & CANADA APPROVAL)



-902 (CE MARK, US & CANADA APPROVAL)





VIEW A - A