

8

7

6

5



4

3

DWG NO.	840-03642-TAB		SH	REV	1	J	1
REVISIONS							
ZONE	REV	DESCRIPTION	DATE	APPROVED			
	A	EO#2445 - INITIAL RELEASE	08/30/01	S/E.S.			
	B	EO#2696 REVISED BOM	11/16/01	S/E.S.			
	C	EO#2701 RE-DRAWN W/CHANGE, ADDED -002	11/28/01	S/E.S.			
	D	EO#2709 ADDED ITEM 36	12/13/01	S/E.S.			
	E	EO#2731 ADDED -002 FOR ITEM 3	01/17/02	S/E.S.			
	F	EO#2736 REVISED ITEM 7	01/25/02	S/E.S.			
	G	EO#2811 REPOSITION ITEM 34	05/10/02	S/E.S.			
	H	EO#2839 ADD DETAIL A ; REVISE NOTE 14	06/27/02	S/E.S.			
	J	EO#2852 ADD -003 & -004					

- 27 ATTACH HOUSING COVER USING HARDWARE SUPPLIED WITH HOUSING PACKAGE. ALIGN ORIENTATION NOTCHES IN CORNER OF HOUSING AND COVER.
- 26 ATTACH MOUNTING FEET (ITEM 2) TO HOUSING (ITEM 1) WITH THE FOUR SCREWS SUPPLIED WITH THE KIT. (FEET ARE TO BE PARALLEL TO POWER SUPPLY BOARD LENGTH).
- 25 APPLY LABELS ITEMS 28, 30, 31,32, 33 AND 34 PER DRAWING.
- 24 CONNECT ANTENNA CABLE (ITEM 10, -001 ONLY) FRONT PANEL, TO CONNECTOR J1 ON CCA BOARD (AFTER INSTALLING CONNECTOR J1, TIGHTEN CONNECTOR MOUNTING SCREWS).
- 23 CONNECT RS-232 CABLE (ITEM 9) LEFT SIDE PANEL, TO CONNECTOR J5 ON CCA BOARD.
- 22 CONNECT SYNC-OUT CABLE (ITEM 5) FRONT PANEL, TO CONNECTOR J6 ON CCA BOARD.
- 21 CONNECT SYNC-IN CABLE (ITEM 4) FRONT PANEL, TO J9 CONNECTOR ON CCA BOARD.
- 20 CONNECT SENSOR 1 CABLE (ITEM 6) FRONT PANEL, TO CONNECTOR J2 ON CCA BOARD.
- 19 CONNECT LED CABLE (ITEM 11) TO J3 ON THE CCA BOARD.
- 18 NOT USED
- 17 NOT USED
- 16 CONNECT 24 VDC CABLE (P/O ITEM 3) CONNECTOR TO POWER SUPPLY BOARD CONNECTOR CN2.
- 15 CONNECT INPUT POWER CABLE (ITEM 7) CONNECTOR TO POWER SUPPLY BOARD CONNECTOR CN1.
- 14 INSTALL DUST COVER (ITEM 13) WITH SCREW (ITEM 19) INTO HOUSING (ITEM 1). (PLACE SMALL AMOUNT OF RTV (ITEM 15) ON SCREW THREADS PRIOR TO INSERTION). ORIENT THE LUG TO THE HORIZONTAL PLANE LEAD END TOWARDS THE POWER CONNECTOR, SEE DETAIL "A".
- 13 INSTALL POWER SUPPLY BOARD (ITEM 12) TO STANDOFFS (ITEM 26) ON CCA BOARD WITH 4 SCREWS (ITEM 16) AND 4 LOCK WASHERS (ITEM 20) AND 4 FLAT WASHERS (ITEM 21). (CN1 CONNECTOR OF POWER SUPPLY GOES NEAR POWER SUPPLY INPUT CABLE CONNECTOR.)
- 12 CONNECT POWER CABLE (ITEM 7) BLUE TO J8-2 CCA BOARD. (PART OF TWISTED PAIR, ROUTED BETWEEN POWER SUPPLY AND STANDOFFS).
- 11 CONNECT POWER CABLE (ITEM 7) BROWN WIRE TO J8-1, CCA BOARD. (PART OF TWISTED PAIR, ROUTED BETWEEN POWER SUPPLY AND STANDOFFS).
- 10 INSTALL INPUT POWER CABLE (ITEM 7) INTO HOUSING (ITEM 1).
- 9 INSTALL RS-232 CABLE (ITEM 9) INTO HOUSING (ITEM 1) WITH 2 SCREWS (ITEM 17) AND 2 LOCK WASHERS (ITEM 25) AND 2 FLAT WASHERS (ITEM 24).
- 8 INSTALL CCA BOARD (ITEM 3) INTO HOUSING (ITEM 1) WITH 8 SCREWS (ITEM 18) AND 8 WASHERS (ITEM 23).
- 7 INSTALL LED CABLE (ITEM 11) WITH RTV (ITEM 15) INTO HOUSING (ITEM 1). ADD A SMALL BEAD OF RTV (ITEM 15) INSIDE GROMMET GROOVE OF LED.
- 6 INSTALL ANTENNA CABLE (ITEM 10, -001 ONLY) INTO HOUSING (ITEM 1).
- 5 INSTALL SYNC IN CABLE (ITEM 4) WITH DUST COVER (ITEM 14) INTO HOUSING (ITEM 1).
- 4 INSTALL SYNC OUT CABLE (ITEM 5) WITH DUST COVER (ITEM 14) INTO HOUSING (ITEM 1).
- 3 INSTALL SENSOR CABLE (ITEM 6) WITH 2 DUST COVERS (ITEM 14) INTO HOUSING (ITEM 1). (CONNECTOR WITH BROWN WIRE IS SENSOR 1)
- 2 INSTALL 4 STANDOFFS (ITEM 26) INTO CCA BOARD (ITEM 3) WITH WASHERS (ITEM 21) AND 4 NUTS (ITEM 29). INSTALL EMI FILTER (PART OF ITEM 7) USING ITEMS 16, 21, AND 29 .
- 1 INSERT 8 GROMMETS (ITEM 27) INTO CCA BOARD (ITEM 3).

1	1	1	1	735-03644-001	LABEL, ECHO POINT LOGO, SP	36
1	1	1	1	735-02880-001	LABEL, GROUND SYMBOL	35
1	-	-	-	735-03640-004	LABEL, FCC ID / ETL / CE, -111	34
-	1	-	-	735-03640-003	LABEL, FCC ID / ETL / CE, -211	
-	-	1	-	735-03640-002	LABEL, FCC ID / ETL / CE, -101	33
-	-	-	1	735-03640-001	LABEL, FCC ID / ETL / CE, -201	
1	-	-	-	735-03698-004	LABEL, MODEL / SERIAL NO / BARCODE -111	32
-	1	-	-	735-03698-003	LABEL, MODEL / SERIAL NO / BARCODE -211	
-	-	1	-	735-03698-002	LABEL, MODEL / SERIAL NO / BARCODE -101	31
-	-	-	1	735-03698-001	LABEL, MODEL / SERIAL NO / BARCODE -201	
1	1	1	1	735-03688-001	LABEL, STATUS	30
1	1	1	1	735-03687-001	LABEL, POWER	29
1	1	1	1	735-03686-001	LABEL, RS-232	28
8	8	8	8	722-20632-201	NUT, SS, NYLON INSERT, 6/32	27
1	1	1	1	735-03685-001	LABEL, SYNC/SENSOR/ANT	26
8	8	8	8	718-02734-004	GROMMET	25
4	4	4	4	718-60632-016	STANDOFF, 6-32 X 1.0	24
2	2	2	2	721-20004-101	WASHER, SS, SPLIT LOCK, #4	23
2	2	2	2	721-22112-000	WASHER, SS, FLAT, SMALL PATTERN, #4	22
8	8	8	8	721-20008-001	WASHER, SS, FLAT, #8	21
					NOT USED	20
12	12	12	12	721-22714-001	WASHER, #6, FLAT, SMALL PATTERN	19
4	4	4	4	721-20006-200	WASHER, SS, #8, INTERNAL STAR	18
1	1	1	1	713-00771-001	SCREW, FT, ZP, 3mm x 1.34mmP x 8mm	17
8	8	8	8	720-30008-908	SCREW, SELF-TAPPING, PH, #8 X 1/2	16
2	2	2	2	720-20440-005	SCREW, SS, PH, PHL, 4-40 X 5/16	15
8	8	8	8	720-20632-005	SCREW, SS, PH, PHL, 6-32 X 5/16	14
AR	AR	AR	AR	733-08708-001	RTV, GE 6708	13
4	4	4	4	718-00620-001	CONNECTOR CAP, PANEL MOUNT	12
1	1	1	1	840-00422-001	DUST COVER ASSEMBLY, DB-9	11
1	1	1	1	862-03648-001	POWER SUPPLY, 24VDC	10
1	1	1	1	830-03672-001	CABLE ASSEMBLY, LED (GREEN)	9
-	1	-	1	830-03655-001	CABLE ASSEMBLY, ANTENNA	8
1	1	1	1	830-03649-001	CABLE ASSEMBLY, RS-232	7
					NOT USED	6
1	1	1	1	830-03647-001	CABLE ASSEMBLY, POWER INPUT	5
1	1	1	1	830-03646-001	CABLE ASSEMBLY, SENSOR INPUT	4
1	1	1	1	830-03645-002	CABLE ASSEMBLY, SYNC OUT	3
1	1	1	1	830-03645-001	CABLE ASSEMBLY, SYNC IN	
1	-	-	-	810-03643-004	CCA, SPT/CNTRL, MR	2
-	1	-	-	810-03643-003	CCA, SPT/CNTRL, LR	
-	-	1	-	810-03643-002	CCA, SPT/CNTRL, MR	1
-	-	-	1	810-03643-001	CCA, SPT/CNTRL, LR	
1	1	1	1	711-03689-001	MOUNTING FOOT KIT	
1	1	1	1	712-03642-001	AID, CASE, FIXED SIGNPOST	

NOTES: (UNLESS SPECIFIED OTHERWISE)

COMPUTER GENERATED DRAWING - DATA BASE MUST BE UPDATED

DRAWN: K. EDWARDS		DATE: 8/08/01	 SUNNYVALE, CALIFORNIA 94089
CHECKED: S/R ORTON		DATE: 8/29/01	
ENGINEER: S/F HEIGH		DATE: 8/29/01	TITLE: ASSEMBLY, SPT/CNTRL
PRODUCTION: S/B MATTOON		DATE: 8/30/01	SIZE: D
MATERIAL: S/S DeMEDEIROS		DATE: 8/30/01	CODE: EPSP
SUSTAINING: S/S CHANDRA		DATE: 8/30/01	DRAWING NO: 840-03642-TAB
PROJECT LEADER: S/R ORTON		DATE: 8/30/01	REV: J
DATA CONTROL: S/E SAMPLEY		DATE: 8/30/01	SCALE: 1 OF 2

FILE NAME: 84003642J_sh1.TCW SHEET 1 OF 2 UP-DATE: 08/08/02

8

7

6

5



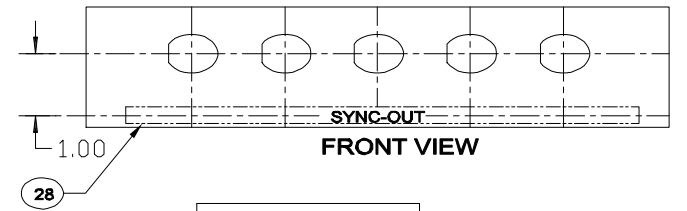
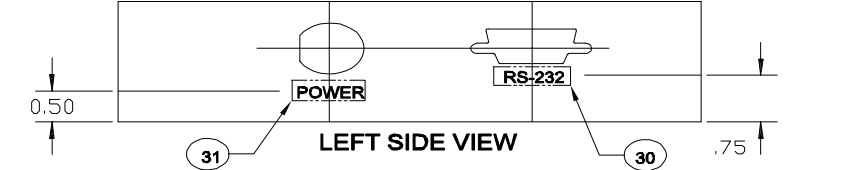
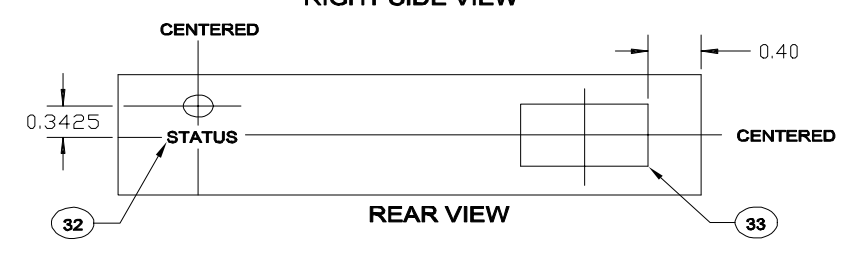
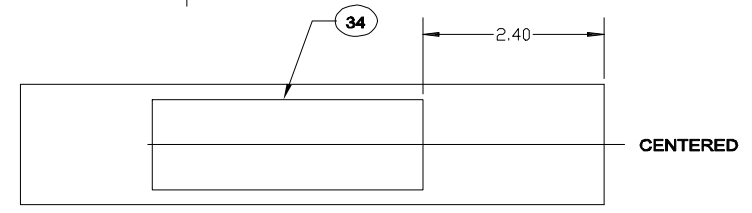
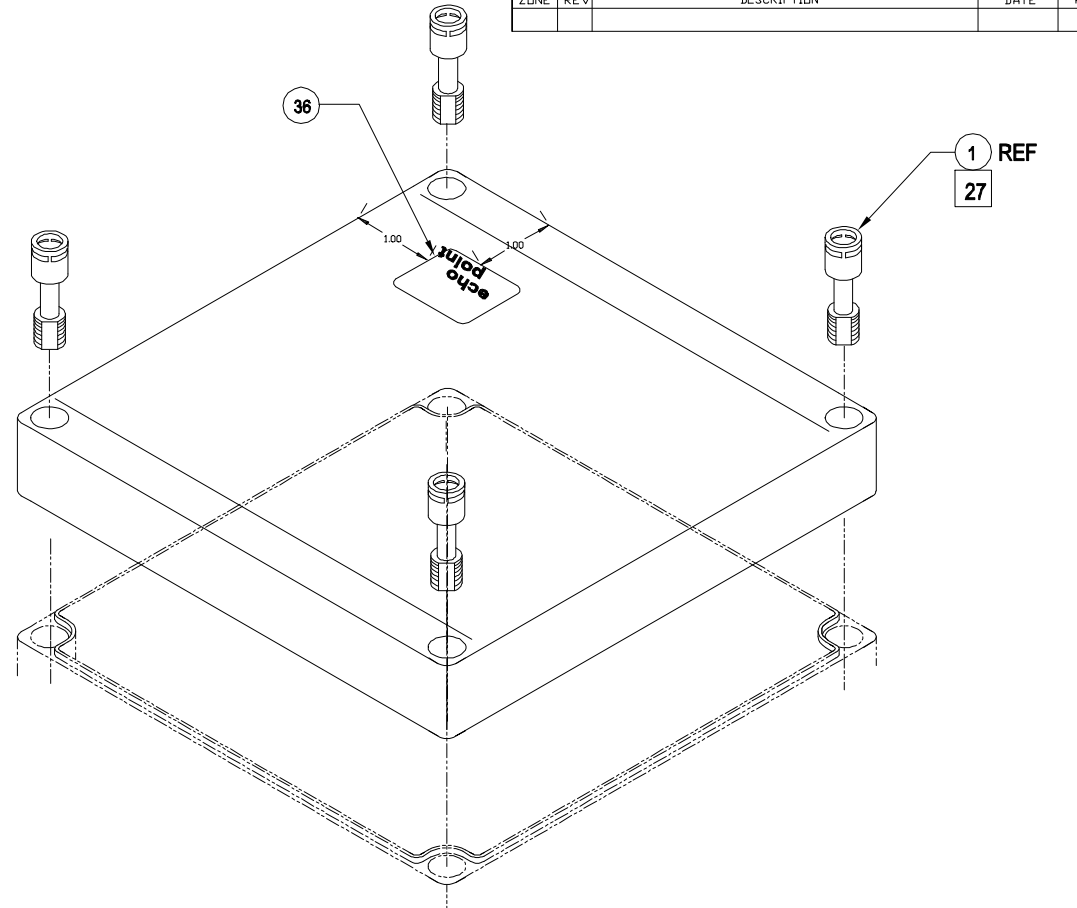
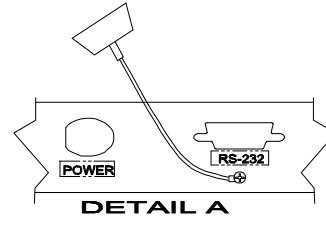
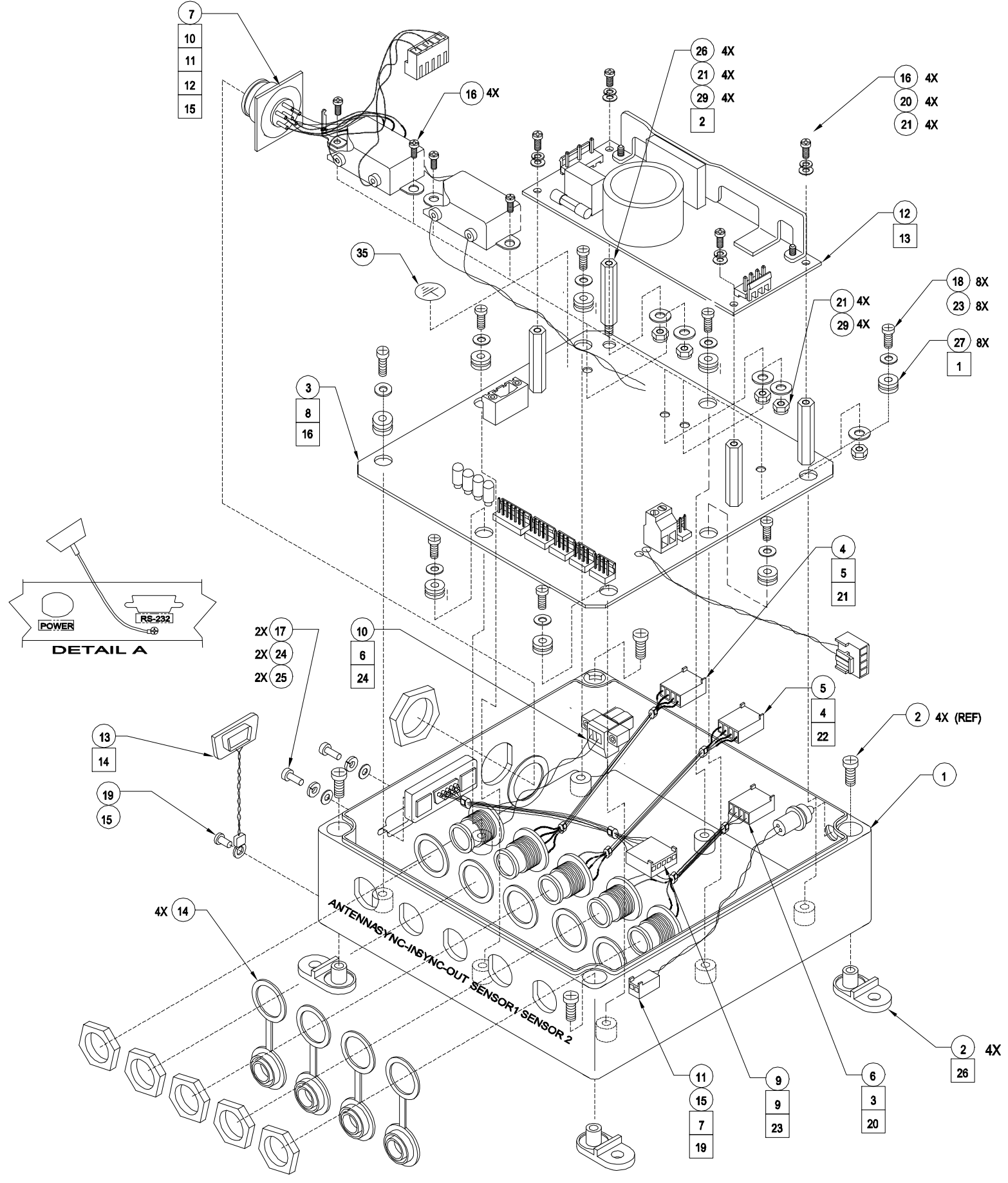
4

3

2

1

REVISIONS				
ZONE	REV	DESCRIPTION	DATE	APPROVED



COMPUTER GENERATED
DRAWING - DATA BASE
MUST BE UPDATED

SIZE D	CODE EPSP	DRAWING NO. 840-03642-TAB	REV J
SCALE:	FILE NAME: 84003642J	SHEET 2	OF 2