


APPLICATION		REVISION RECORD			
NEXT ASSEMBLY	USED ON	LTR	DESCRIPTION	APPROVED	DATE
840-03642-001	APL01	A	EO#2651 INITIAL RELEASE	S/E.S.	09/13/01
860-03660-001	APL01	B	EO#2695 ADDED -002	S/E.S.	11/16/01
		C	EO#2710 ADDED SYMBOL		

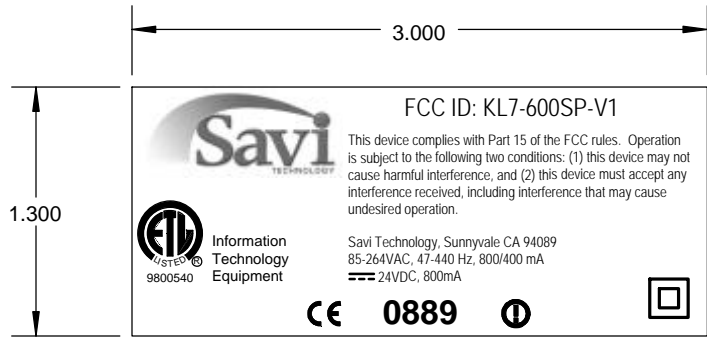
5. SAVI LOGO: MAIN BODY IS PMS#293 (BLUE), DOT OVER "i" IS PMS#200 (RED)
4. LABEL DIMENSIONS MAY BE ADJUSTED TO CLOSEST STANDARD DIE.
3. SPECIFICATIONS

MATERIAL	FASTRIP S-333/50# (2MIL) POLYESTER WITH S333 ADHESIVE (1 MIL)
COLOR	BLACK LETTERS ON CLEAR BACKGROUND
FONT	ARIAL NARROW
LAMINATION	1 MIL MATTE CLEAR POLYESTER

2. LABEL SHALL BE MANUFACTURED BY A UL APPROVED VENDOR. VENDOR SHALL HAVE A CURRENT SIGNED "PRINTER AGREEMENT" ON FILE WITH UL PER UL MARKING AND LABELING SYSTEMS AND SHALL SUPPLY EACH PACKAGE OR ROLL MARKED WITH COMPANY NAME AND LABEL DESIGNATION PER UL MARKING AND LABELING SYSTEMS.
1. DIMENSIONS ARE IN INCHES, ±.015

NOTES: (UNLESS OTHERWISE SPECIFIED)

DRAWN	E SAMPLEY	DATE	8/23/01	 <p>615 TASMAN DRIVE SUNNYVALE, CALIFORNIA 94089</p> <p>TITLE LABEL, FCC ID / ETL / CE SIGNPOST</p>								
CHECKED	S/R ORTON	DATE	9/12/01									
ENGINEER	S/P KELESHIAN	DATE	9/13/01									
PRODUCTION	S/B MATTOON	DATE	9/13/01									
MATERIAL	S/S DeMEDEIROS	DATE	9/13/01									
SUSTAINING	S/R PEARSON	DATE	9/13/01									
PROJECT LEADER	S/R ORTON	DATE	9/13/01									
DATA CONTROL	S/E SAMPLEY	DATE	9/13/01	<table border="1"> <tr> <td>CODE</td> <td>SIZE</td> <td>DRAWING No:</td> <td>REV:</td> </tr> <tr> <td>APL01</td> <td>A</td> <td>735-03640-TAB</td> <td>C</td> </tr> </table>	CODE	SIZE	DRAWING No:	REV:	APL01	A	735-03640-TAB	C
CODE	SIZE	DRAWING No:	REV:									
APL01	A	735-03640-TAB	C									
SCALE: NA		FILE NAME: 73503640.TCW		SHEET 1 OF 2								



-002

CODE	SIZE	DRAWING No:	REV:
APL01	A	735-03640-TAB	C
SCALE: N/A	FILENAME :	SHEET 2	

4

3

DWG NO.

840-03642-TAB

SH

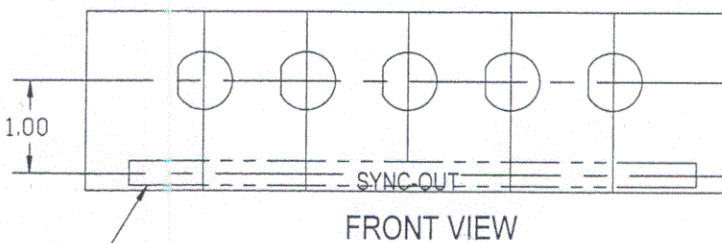
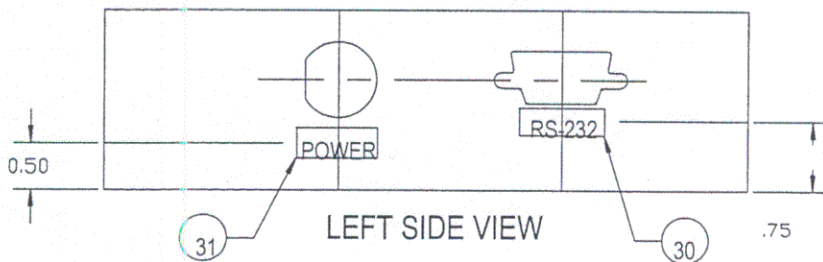
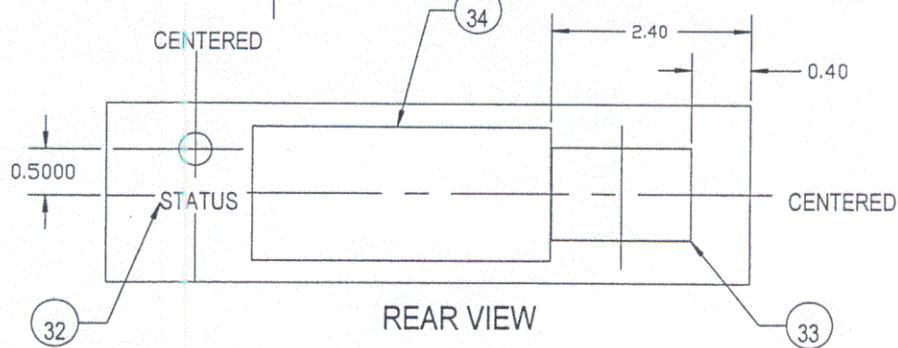
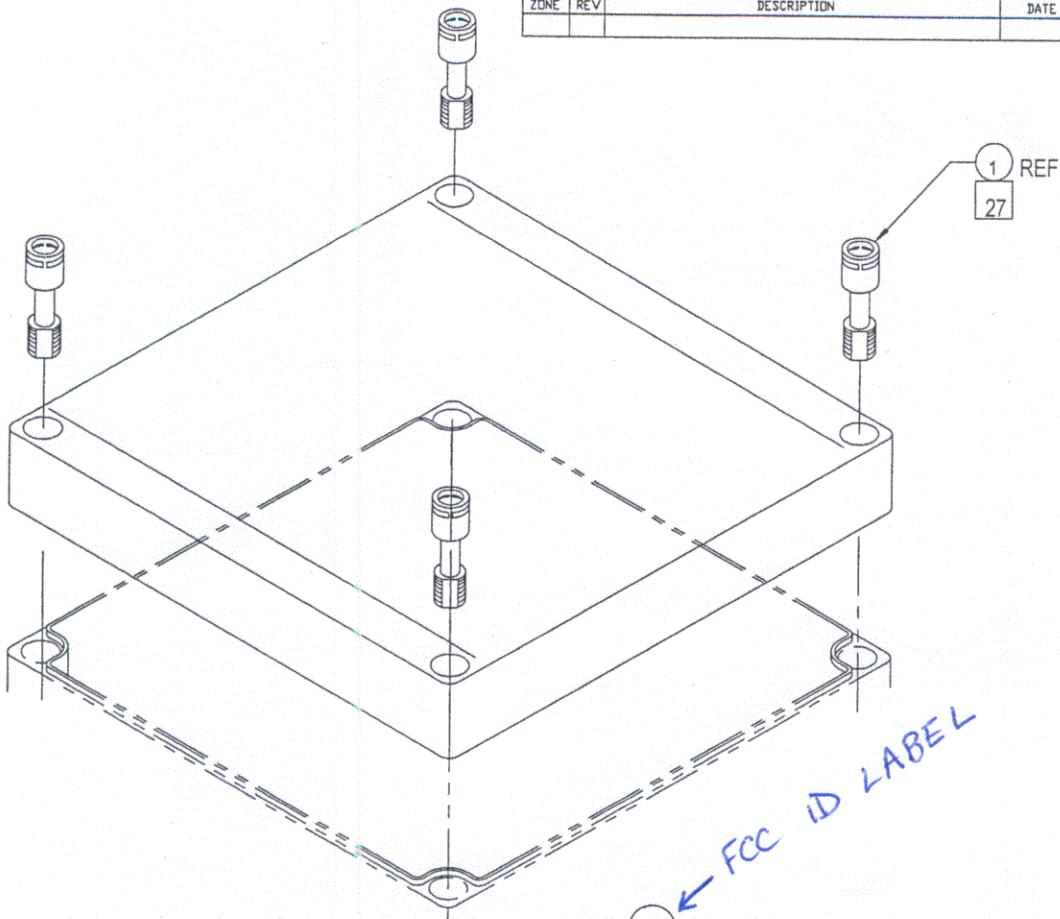
2

REV

C

1

REVISIONS				
ZONE	REV	DESCRIPTION	DATE	APPROVED



COMPUTER GENERATED
DRAWING - DATA BASE
MUST BE UPDATED

SIZE	CODE	DRAWING NO.	REV
D	APL01	840-03642-TAB	C
SCALE:	FILE NAME:	84003642A	SHEET 2 OF 2

D

FOLD

C

B

REV C

SH 2

DWG NO. 840-03642-TAB

REV C

A

4

FOLD 3

2

1

IX
IX
IX

18 8X
23 8X
27 8X
1

4X (REF)

1

2 4X
26