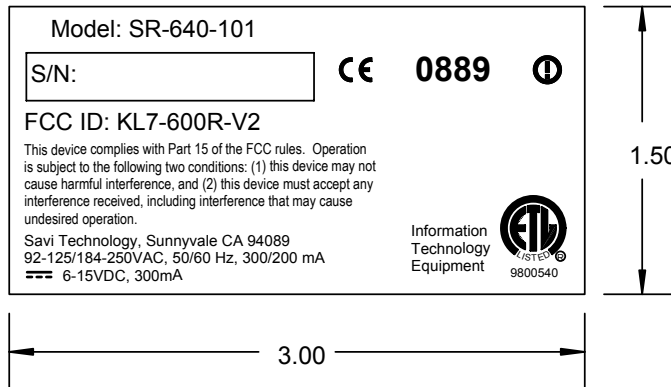


APPLICATION		REVISION RECORD			
NEXT ASSEMBLY	USED ON	LTR	DESCRIPTION	APPROVED	DATE
860-04024-001	EPRDR	1A	RFA#E2973 : PRE-PRODUCTION REL		




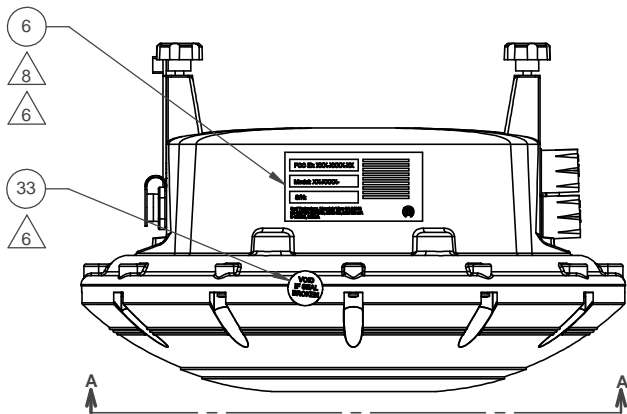
- ETL MARK, CE MARK, AND ALERT SYMBOLS ARE IN ACCORDANCE WITH SPECIFICATION 735-03938-001.
- LABEL DIMENSIONS MAY BE ADJUSTED TO CLOSEST STANDARD DIE.
- SPECIFICATIONS

MATERIAL	.002 MATTE SILVER MYLAR WITH V23 ADHESIVE (1 MIL)
COLOR	BLACK LETTERS ON SILVER BACKGROUND
FONT	ARIAL, ARIAL NARROW (ETL, CE MARK AND ALERT AS SHOWN)
LAMINATION	.001 COMPUCAL LAMINATION

- LABEL SHALL BE MANUFACTURED BY A UL APPROVED VENDOR. VENDOR SHALL HAVE A CURRENT SIGNED "PRINTER AGREEMENT" ON FILE WITH UL PER UL MARKING AND LABELING SYSTEMS AND SHALL SUPPLY EACH PACKAGE OR ROLL MARKED WITH COMPANY NAME AND LABEL DESIGNATION PER UL MARKING AND LABELING SYSTEMS.
- DIMENSIONS ARE IN INCHES, ± 0.015

NOTES: (UNLESS OTHERWISE SPECIFIED)

DRAWN T. TRAN	DATE 08/07/02	 615 TASMAN DRIVE SUNNYVALE, CALIFORNIA 94089			
CHECKED	DATE				
ENGINEER	DATE	TITLE LABEL, FCC ID / SERIAL NO. / MODEL NO., EP READER, SR-640-101-X			
PRODUCTION	DATE				
MATERIAL	DATE				
SUSTAINING	DATE	CODE EPRDR	SIZE A	DRAWING No: 735-04024-001	REV: 1A
PROJECT LEADER	DATE	SCALE: N/A		FILE NAME: 73504024A.TCW	SHEET 1 OF 1
DATA CONTROL	DATE				



VIEW A - A