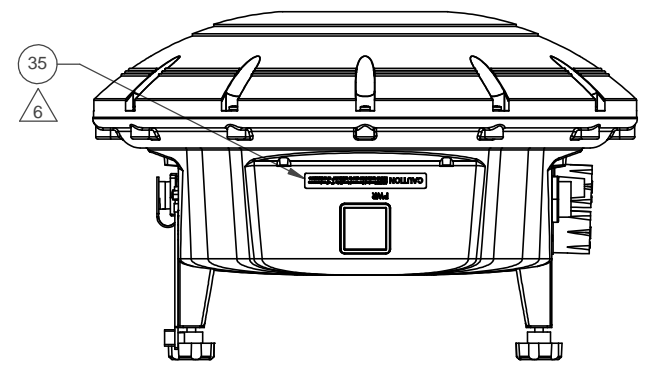
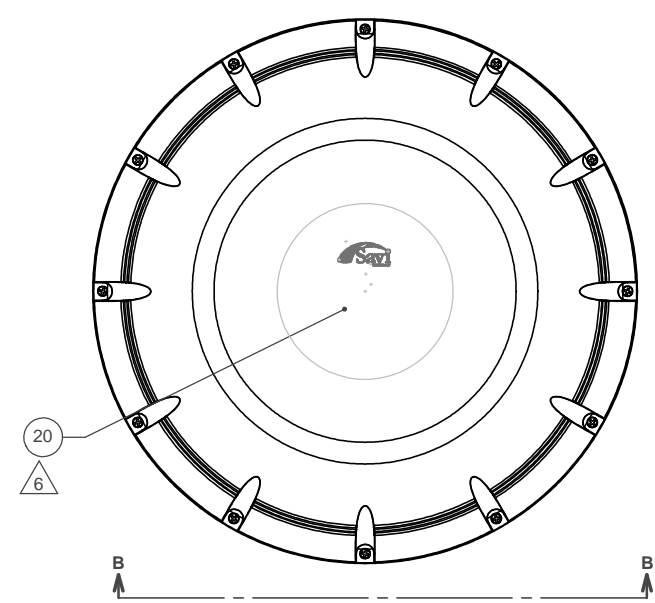
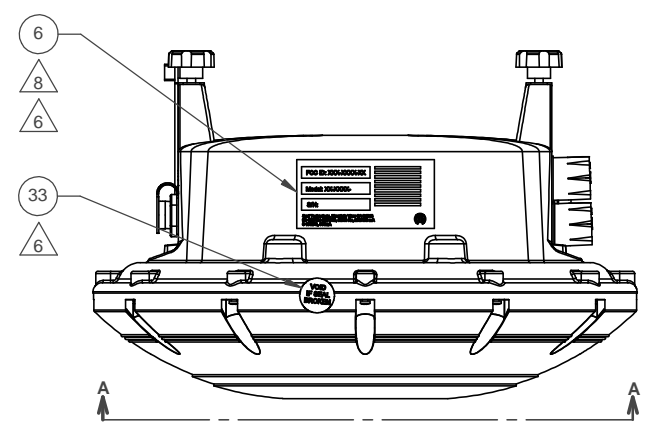
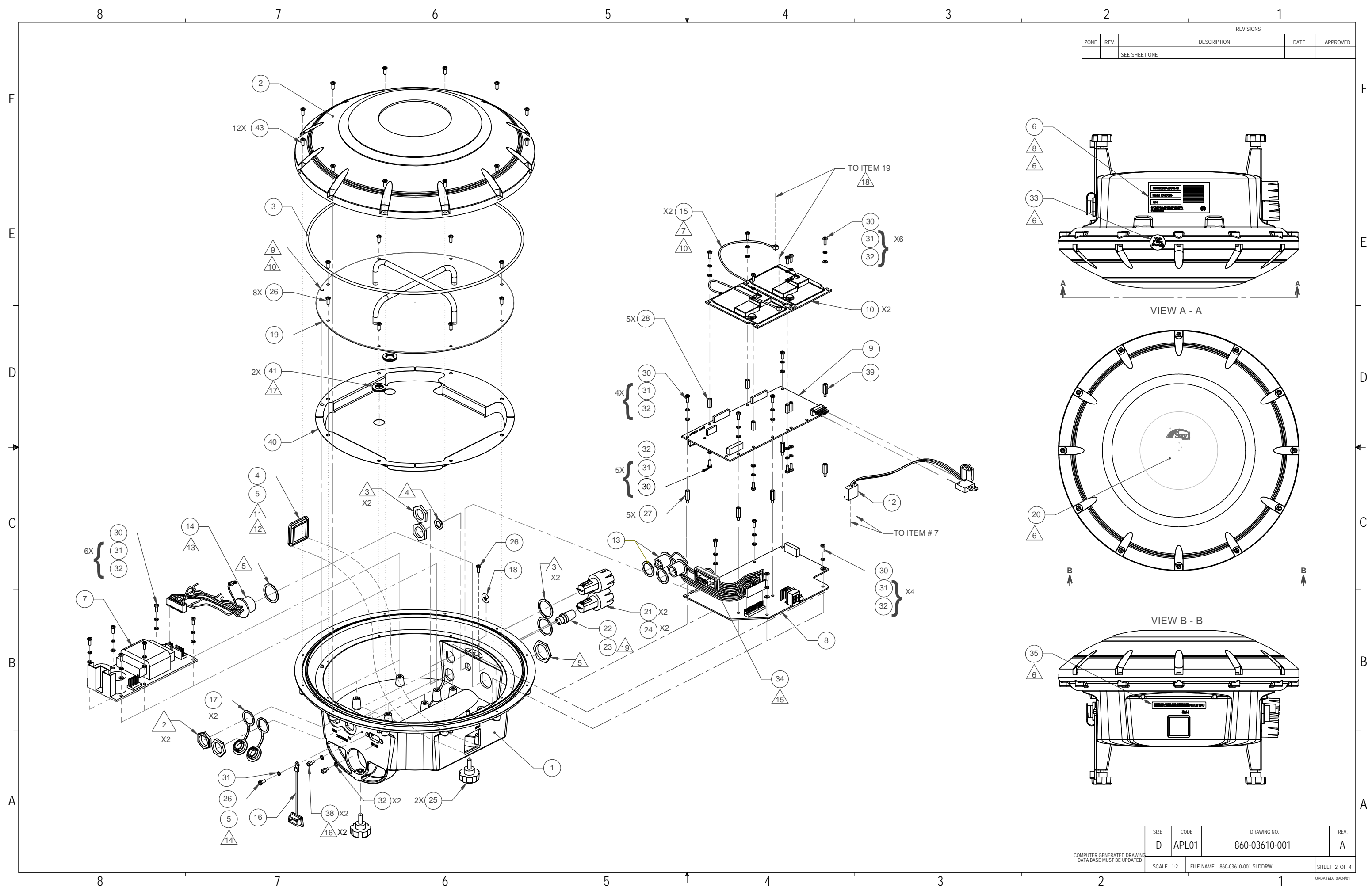


REVISIONS				
ZONE	REV.	DESCRIPTION	DATE	APPROVED
		SEE SHEET ONE		



COMPUTER GENERATED DRAWING DATA BASE MUST BE UPDATED	SIZE	CODE	DRAWING NO.	REV.
	D	APL01	860-03610-001	A
SCALE 1:2	FILE NAME: 860-03610-001.SLDDRW	SHEET 2 OF 4		UPDATED: 09/24/01