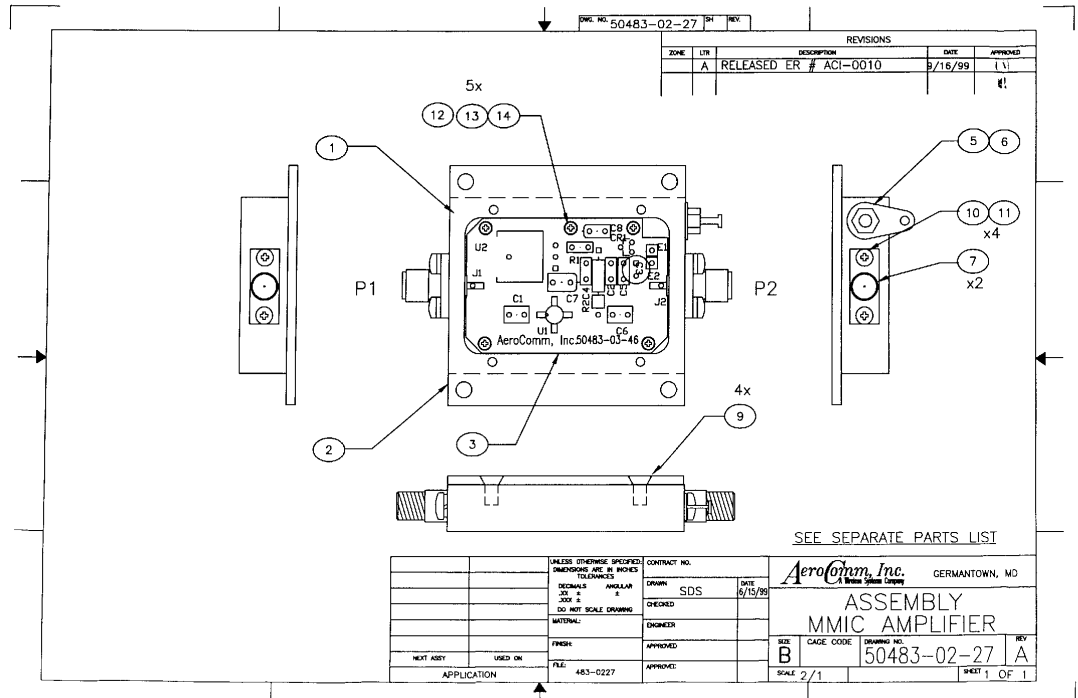


| REV | DATE | DESCRIPTION | BY | APP |
|-----|------|-------------|----|-----|
| 1 | | | | |

| | | | |
|---|--------------|-------------------------------|--|
| UNLESS OTHERWISE SPECIFIED: DIMENSIONS ARE IN INCHES DECIMALS XX ± 0.1 XXX ± 0.05 DO NOT SCALE DRAWING | CONTRACT NO. | AeroComm, Inc. GERMANTOWN, MD | |
| MATERIAL: | DATE | 1/21/00 | |
| FINISH: | DESIGNER | JJC | |
| NEXT ASSEMBLY USED ON: | CHECKED | | |
| APPLICATION: | APPROVED | 1/21/00 | |
| | APPROVED | | |

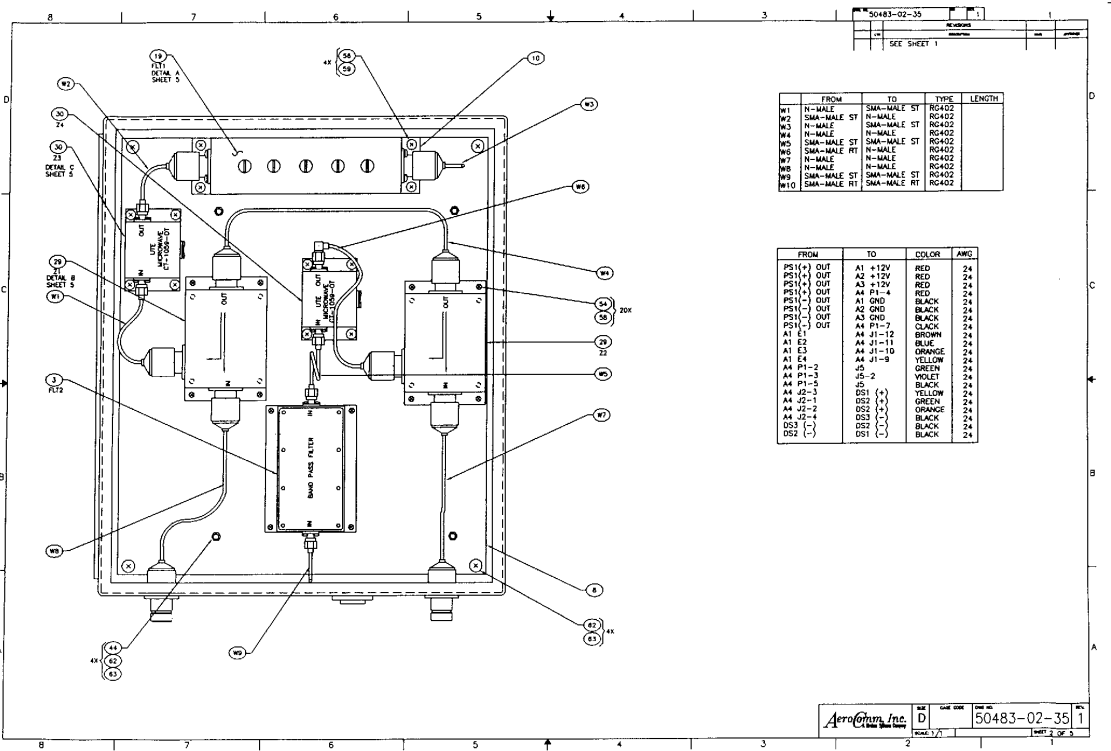
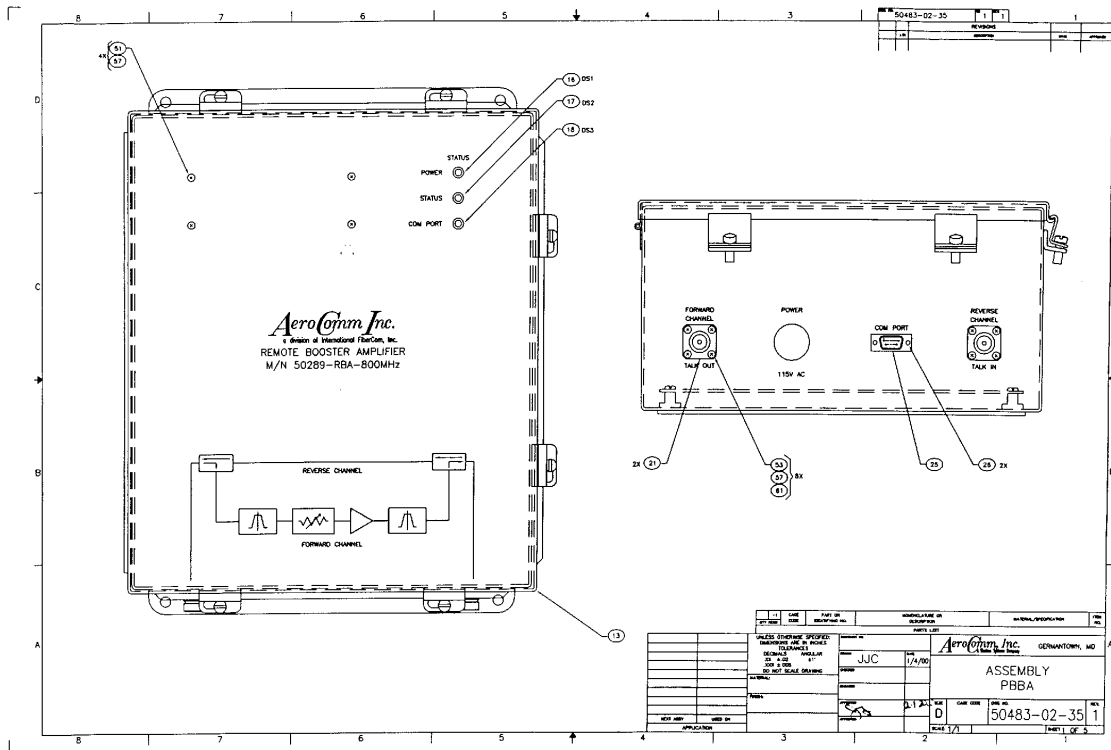
| | | | |
|-----------|-----------|--------------|------|
| SIZE | CAGE CODE | DWG NO. | REV. |
| C | | 50483-02-26 | 2 |
| SCALE 1/1 | | SHEET 1 OF 1 | |

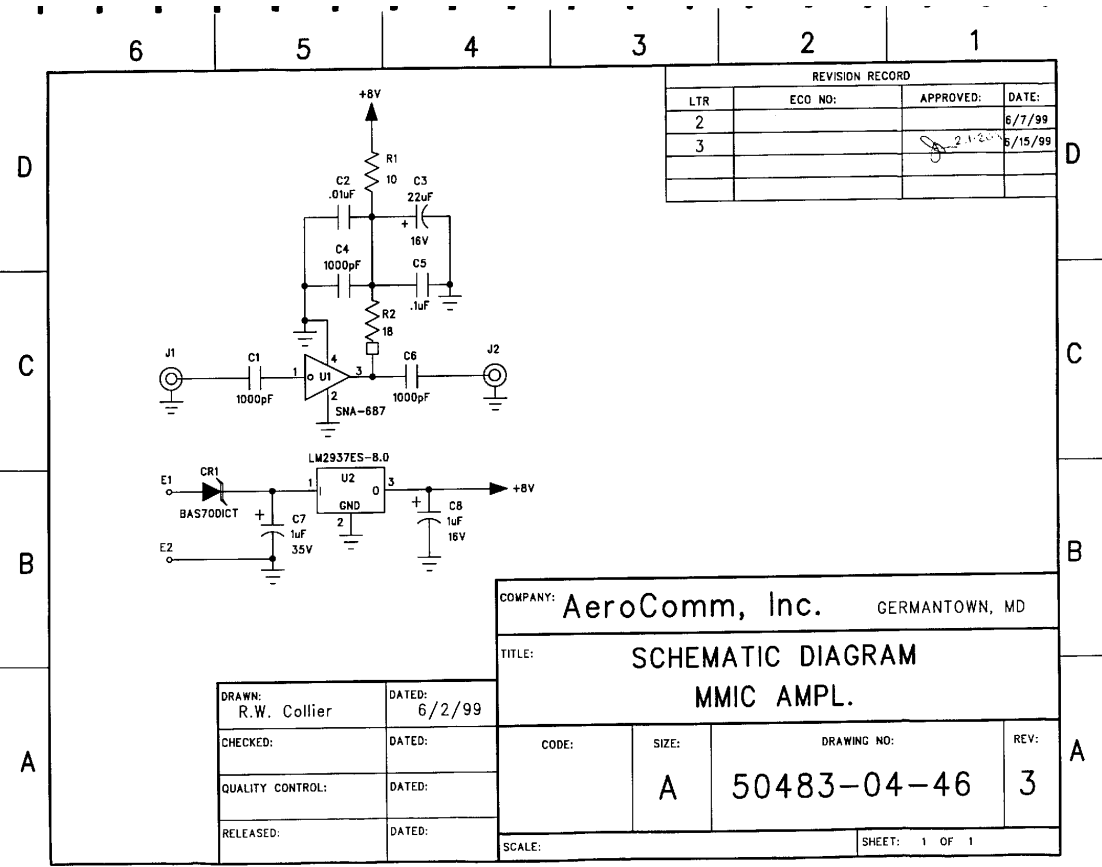
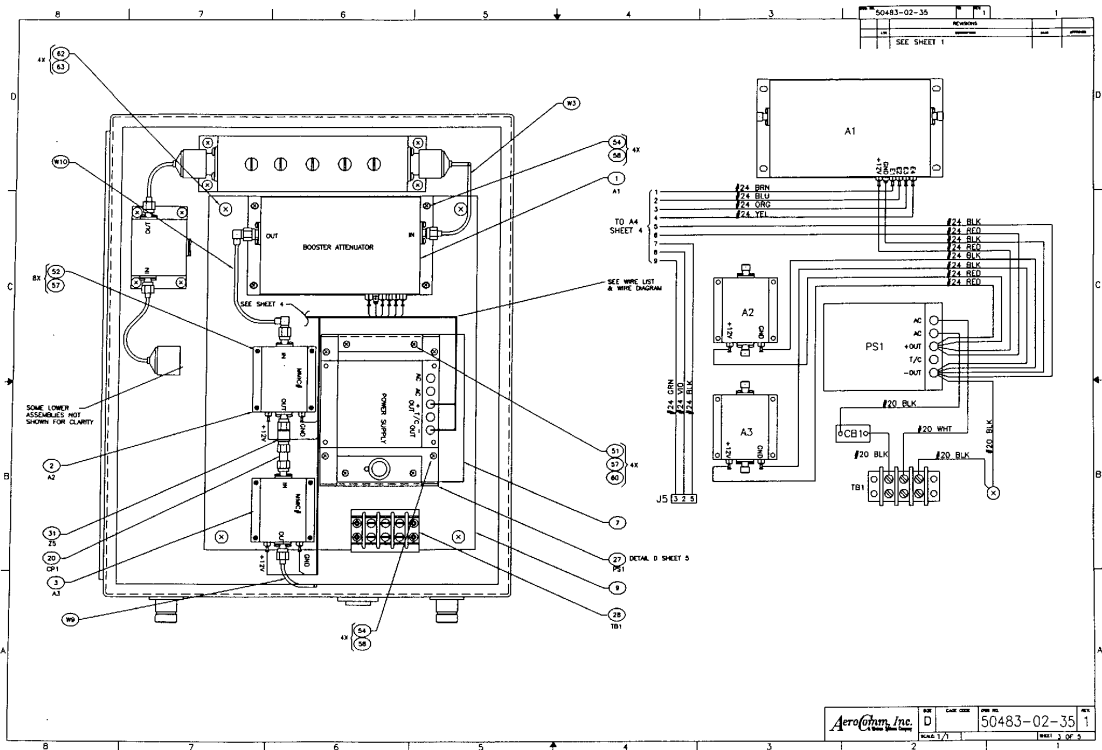


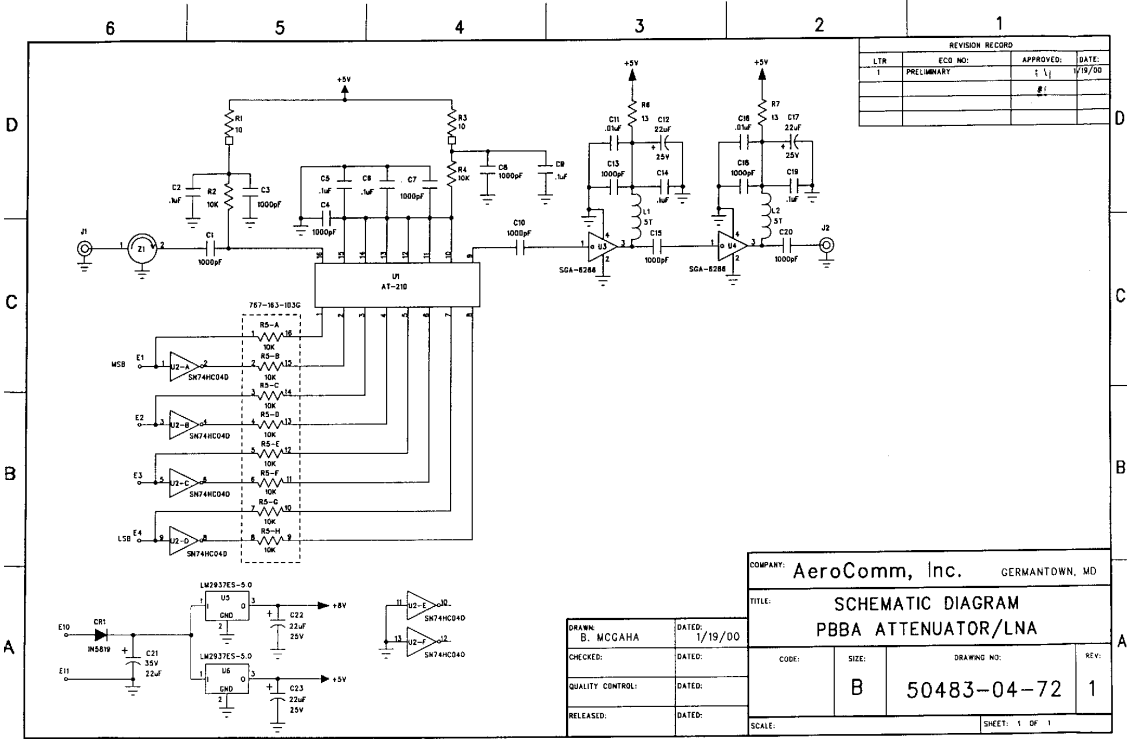
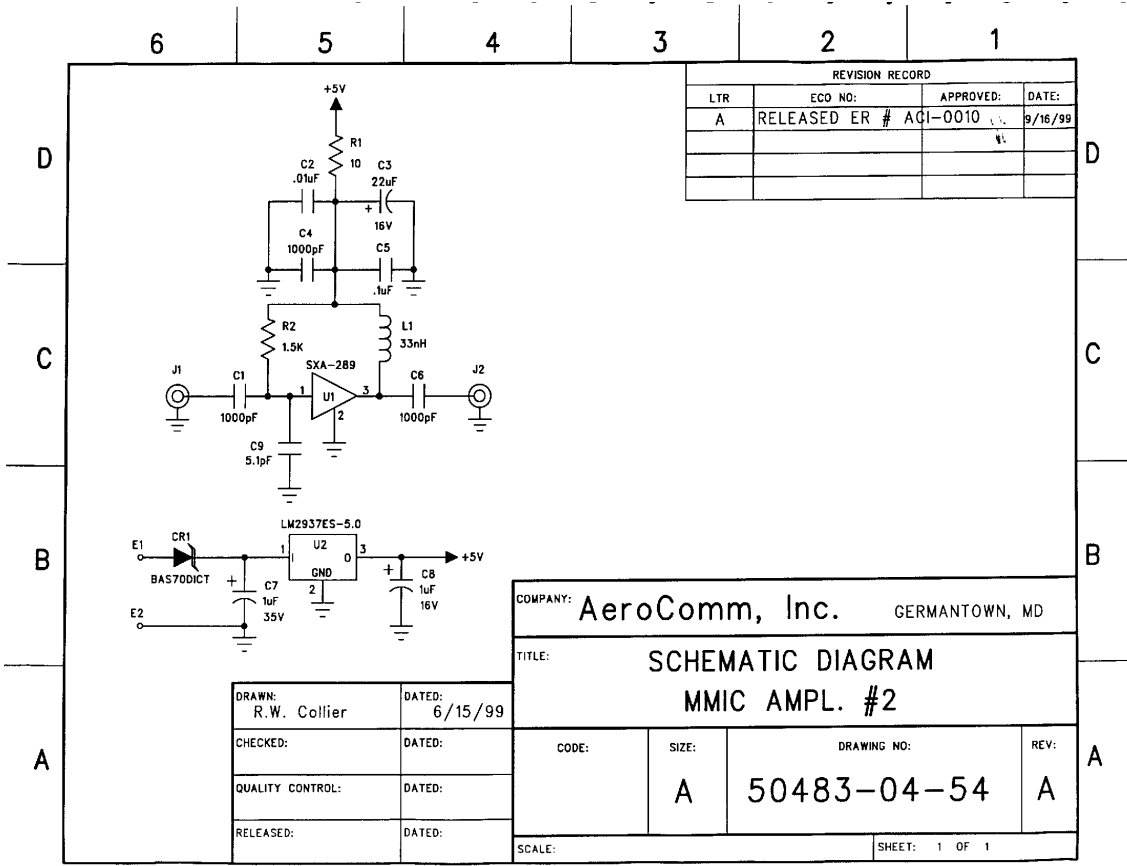
| REV | DATE | DESCRIPTION | BY | APP |
|-----|---------|------------------------|----|-----|
| A | 9/16/99 | RELEASED ER # AGI-0010 | | |

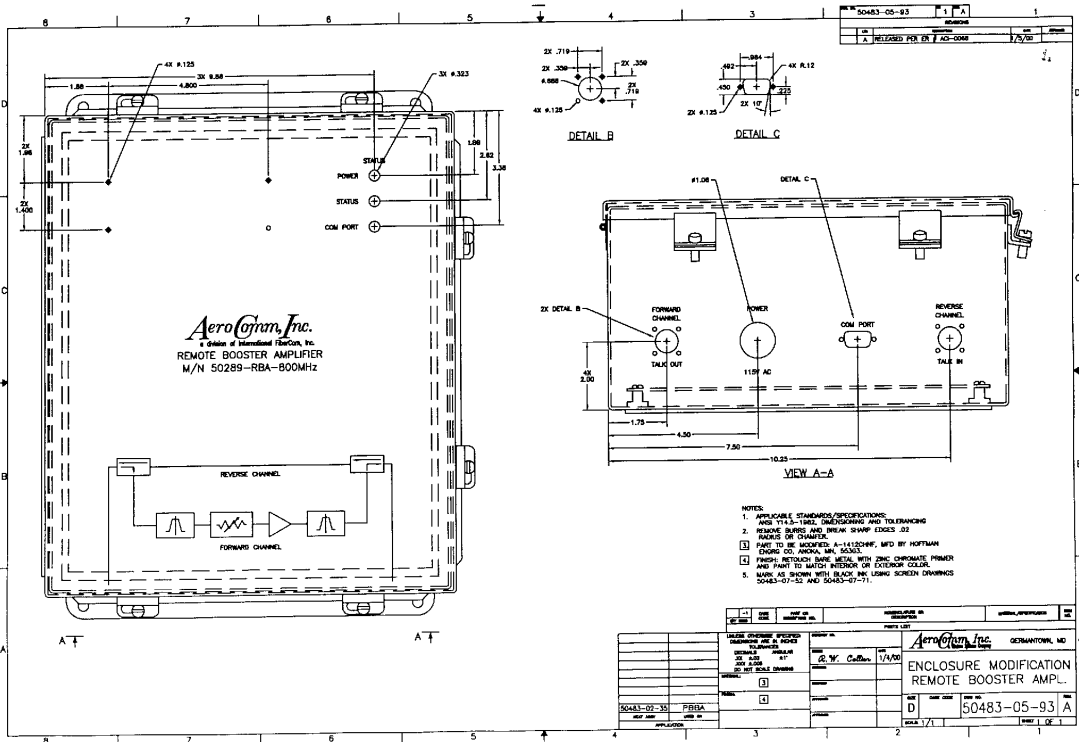
| | | | |
|---|--------------|-------------------------------|--|
| UNLESS OTHERWISE SPECIFIED: DIMENSIONS ARE IN INCHES DECIMALS XX ± 0.1 XXX ± 0.05 DO NOT SCALE DRAWING | CONTRACT NO. | AeroComm, Inc. GERMANTOWN, MD | |
| MATERIAL: | DATE | 6/15/99 | |
| FINISH: | DESIGNER | SDS | |
| NEXT ASSEMBLY USED ON: | CHECKED | | |
| APPLICATION: | APPROVED | 483-0227 | |
| | APPROVED | | |

| | | | |
|-----------|-----------|--------------|------|
| SIZE | CAGE CODE | DWG NO. | REV. |
| B | | 50483-02-27 | A |
| SCALE 2/1 | | SHEET 1 OF 1 | |









| | | | |
|-------------------------------|--|--------|------|
| 50483-05-93 | | REV. 1 | DATE |
| ENCLOSURE MODIFICATION | | | |
| A. RELEASED FOR USE 7-03-0308 | | 7/2/03 | |

AeroComm, Inc.
 a division of International Telecom, Inc.
REMOTE BOOSTER AMPLIFIER
 M/N 50289-RBA-800MHz

- NOTES
1. APPLICABLE STANDARDS/SPECIFICATIONS:
 AND Y.T.S.-188. DIMENSIONS AND TOLERANCING
 REMOVE BURRS AND BREAK SHARP EDGES .02
 FINISH OF CHAMFER
 2. PART TO BE MODIFIED AS SHOWN BY HOFFMAN
 (FORM 02, REV. 04, 03/03)
 3. FRESH, UNTOUCHED BARE METAL WITH ZINC CHROMATE PRIMER
 AND PART TO MATCH INTERIOR OR EXTERIOR COLOR
 4. MARK AS SHOWN WITH BLACK INK USING SCREEN DRAWINGS
 50483-07-03 AND 50483-07-11.

| | | | | |
|------|------|----|--------|-------------|
| DATE | REV. | BY | APP'D. | DESCRIPTION |
| | | | | |
| | | | | |
| | | | | |
| | | | | |

| | | |
|-------------|-------------|-------|
| DESIGNED BY | REVIEWED BY | DATE |
| DATE | DATE | DATE |
| SCALE | SCALE | SCALE |
| | | |
| | | |

| | |
|----------------|---|
| GERMANTOWN, MD | ENCLOSURE MODIFICATION REMOTE BOOSTER AMP. |
| D | 50483-05-93 A |
| 1/1 | 1 OF 1 |