

The Following Diagrams are for both FCC ID: KJA 504830202 and KJA504830203

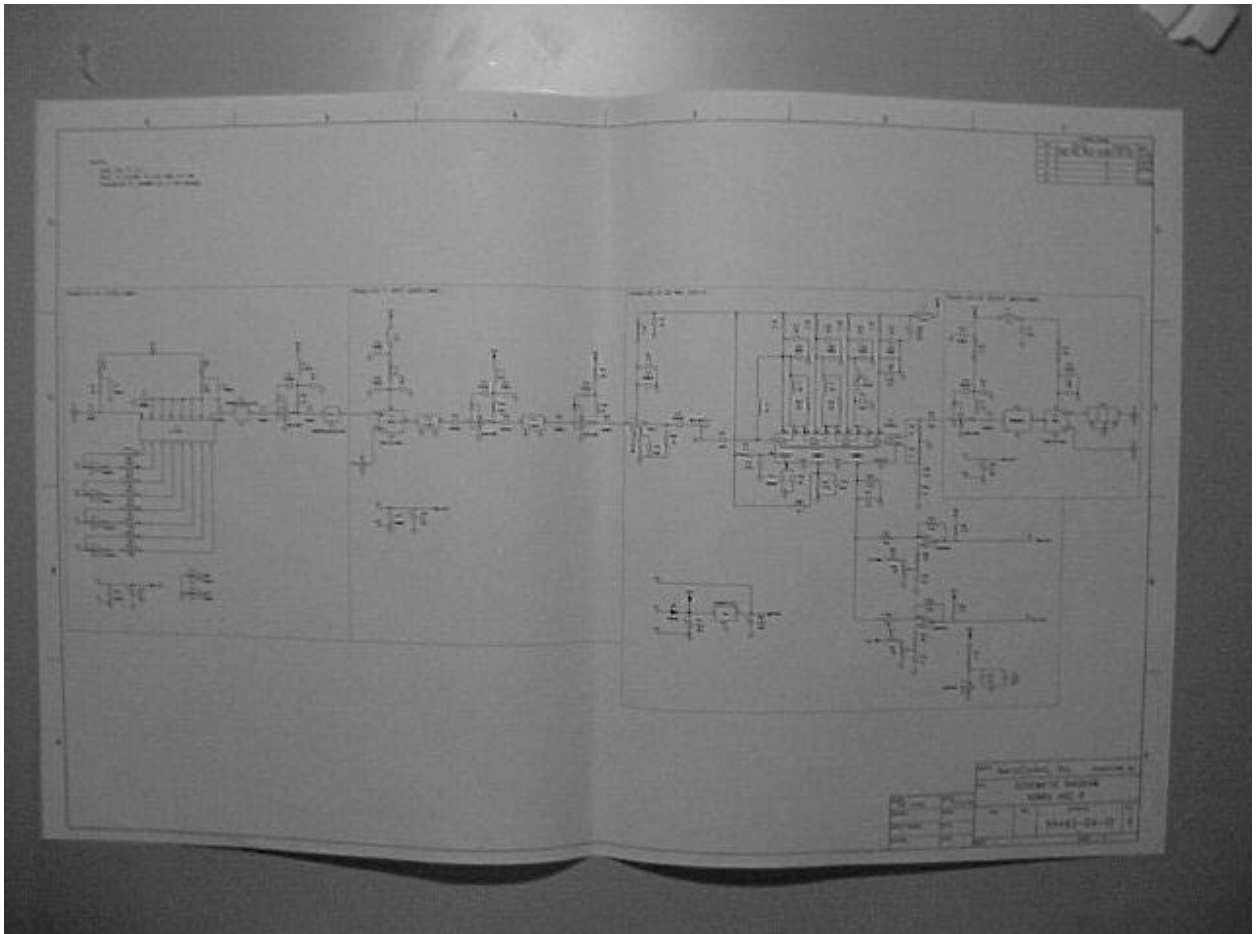


Figure 1: Diagram 90 Mhz AGC LF. 1 of 6

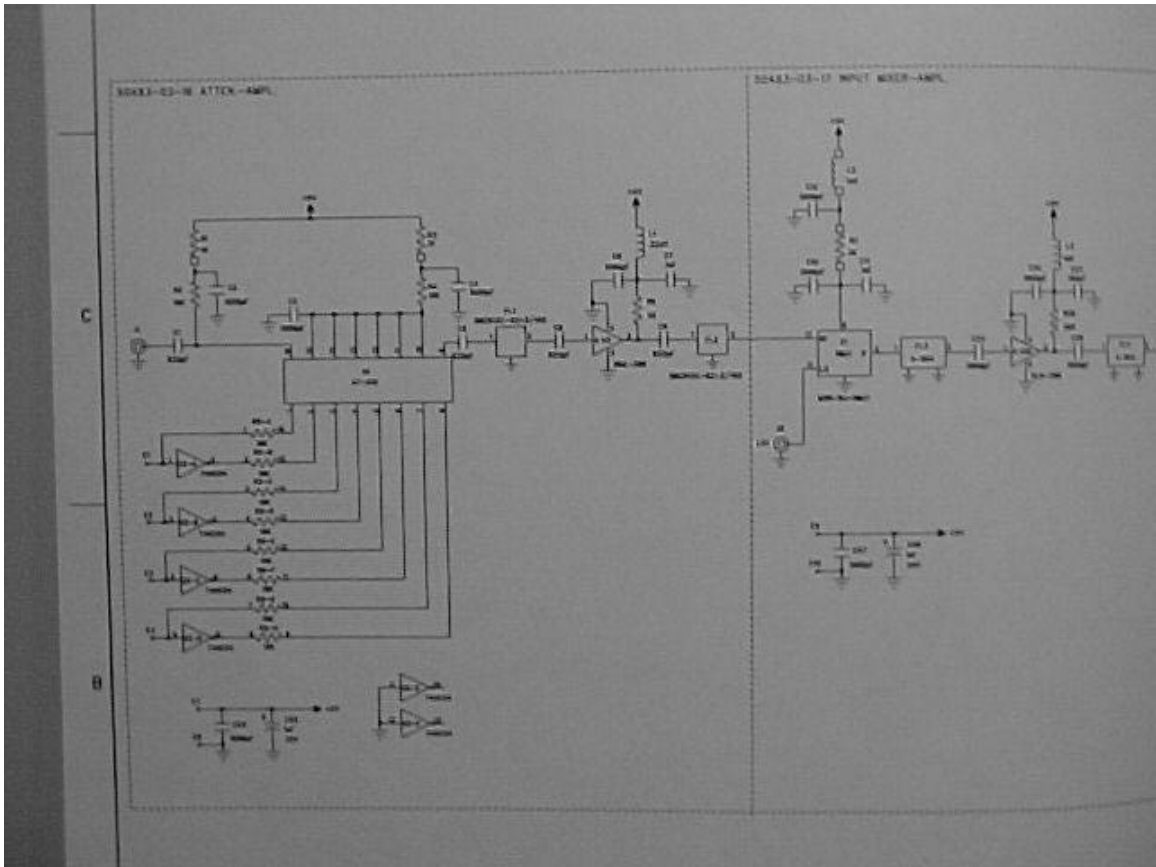


Figure 2: 90 MHz AGC I.F. 2 of 6







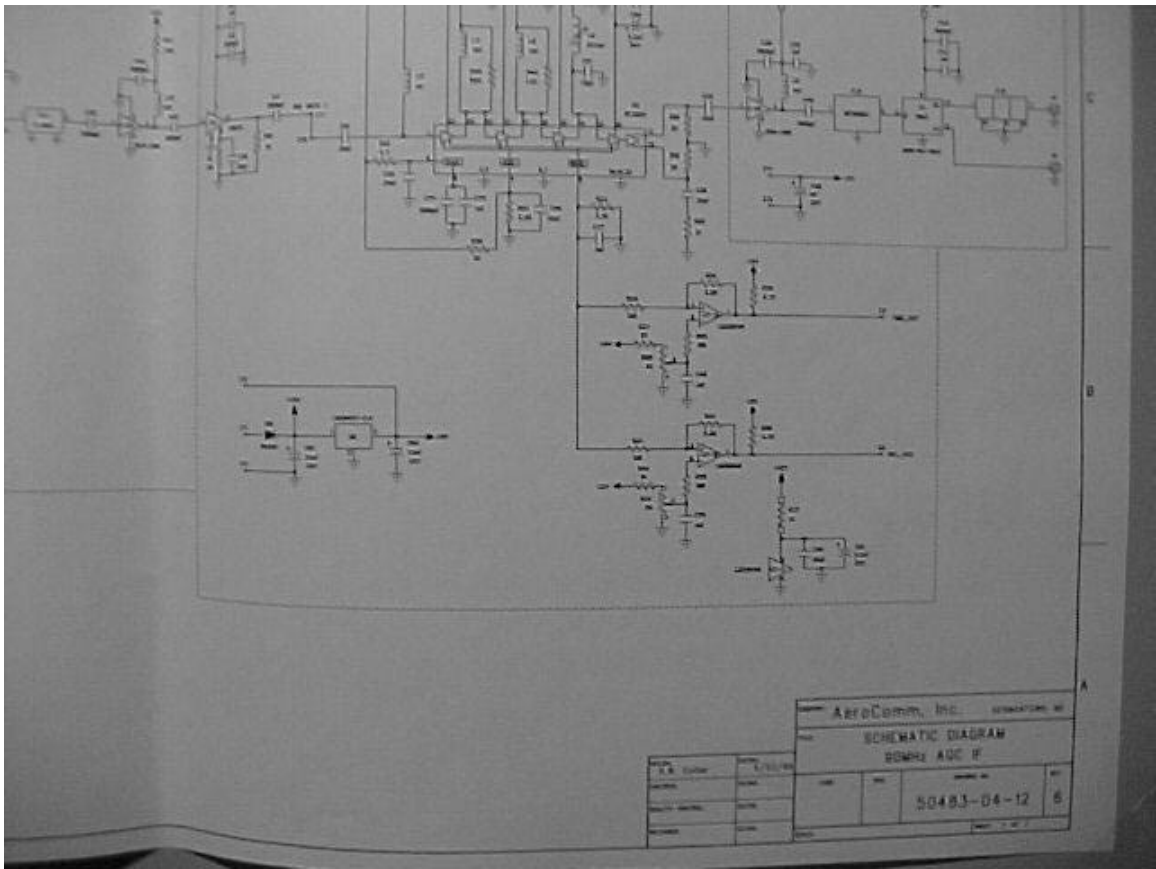


Figure 6: 90 Mhz AGC IF 6 of 6

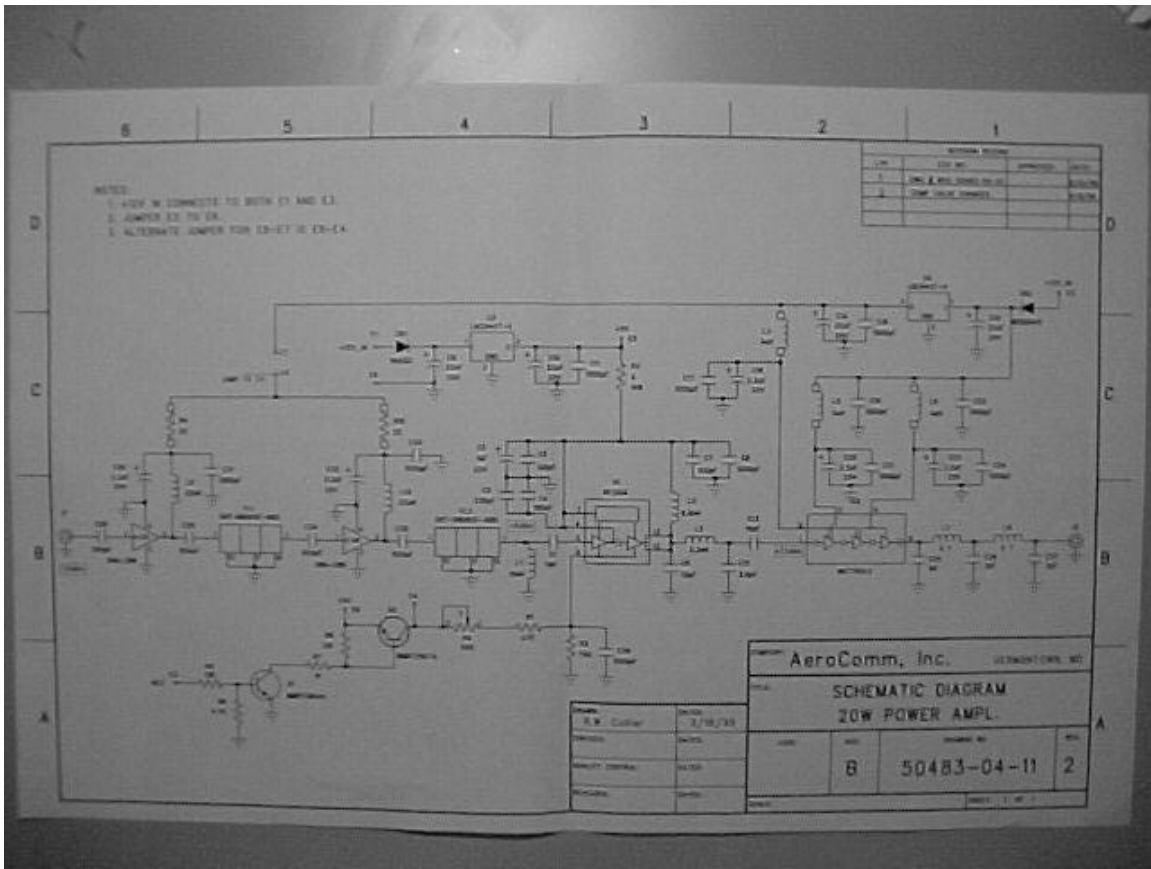


Figure 7: 20 Watt power amp 1 of 4





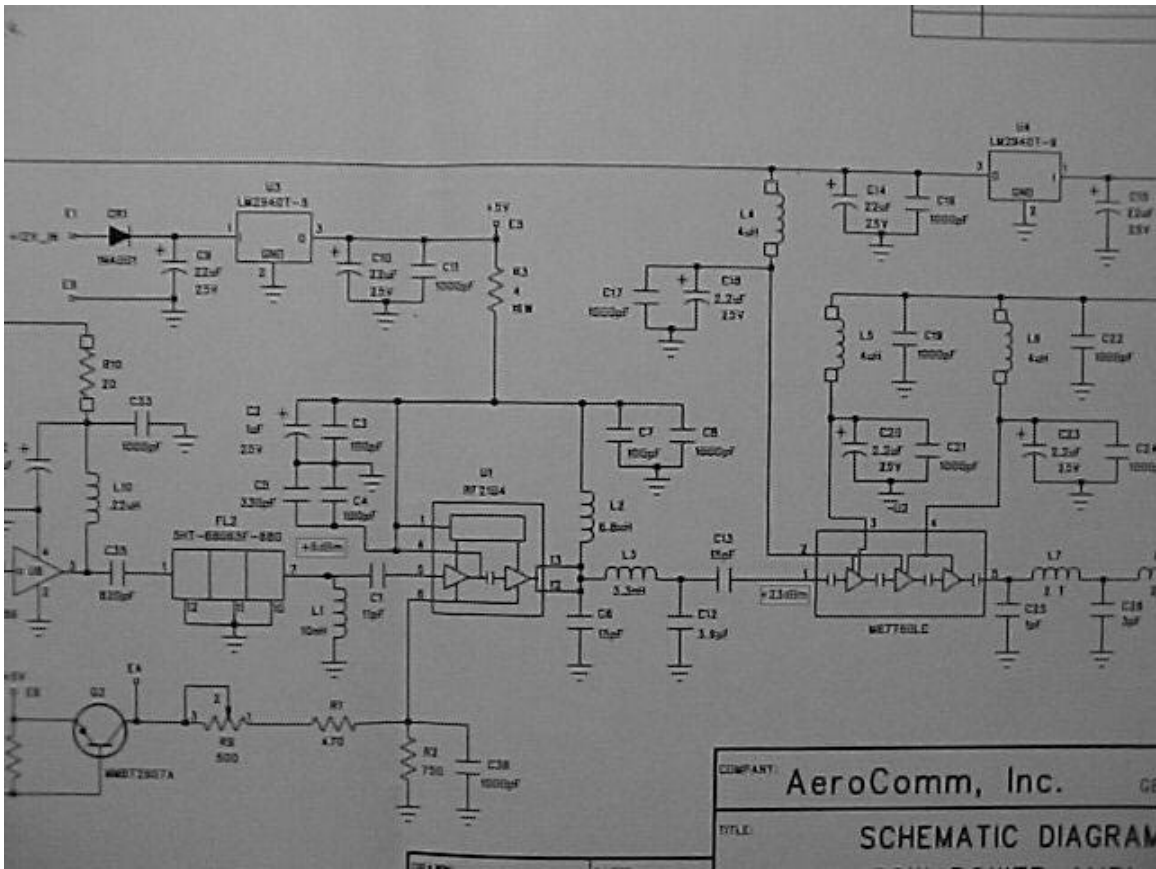


Figure 9: 20 watt power amp 3 of 4

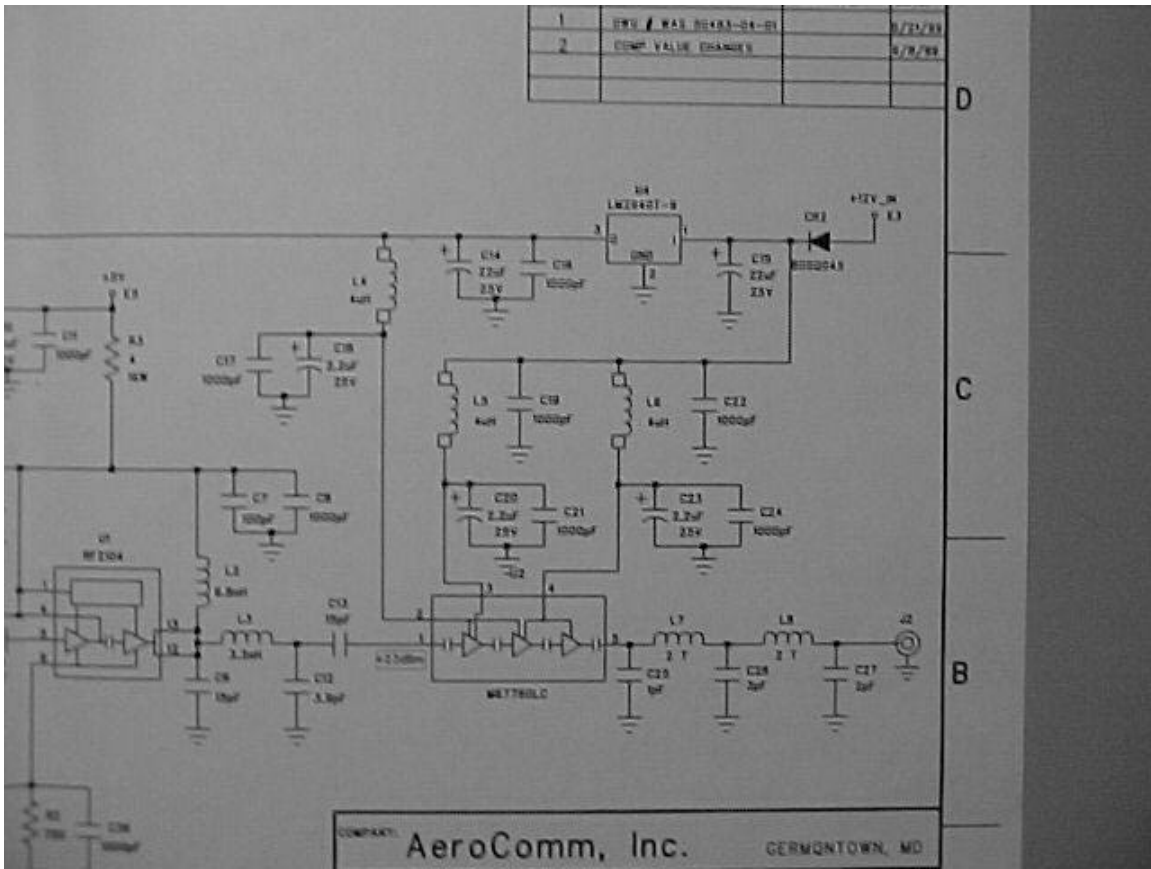


Figure 10: 20 watt amp 4 of 4

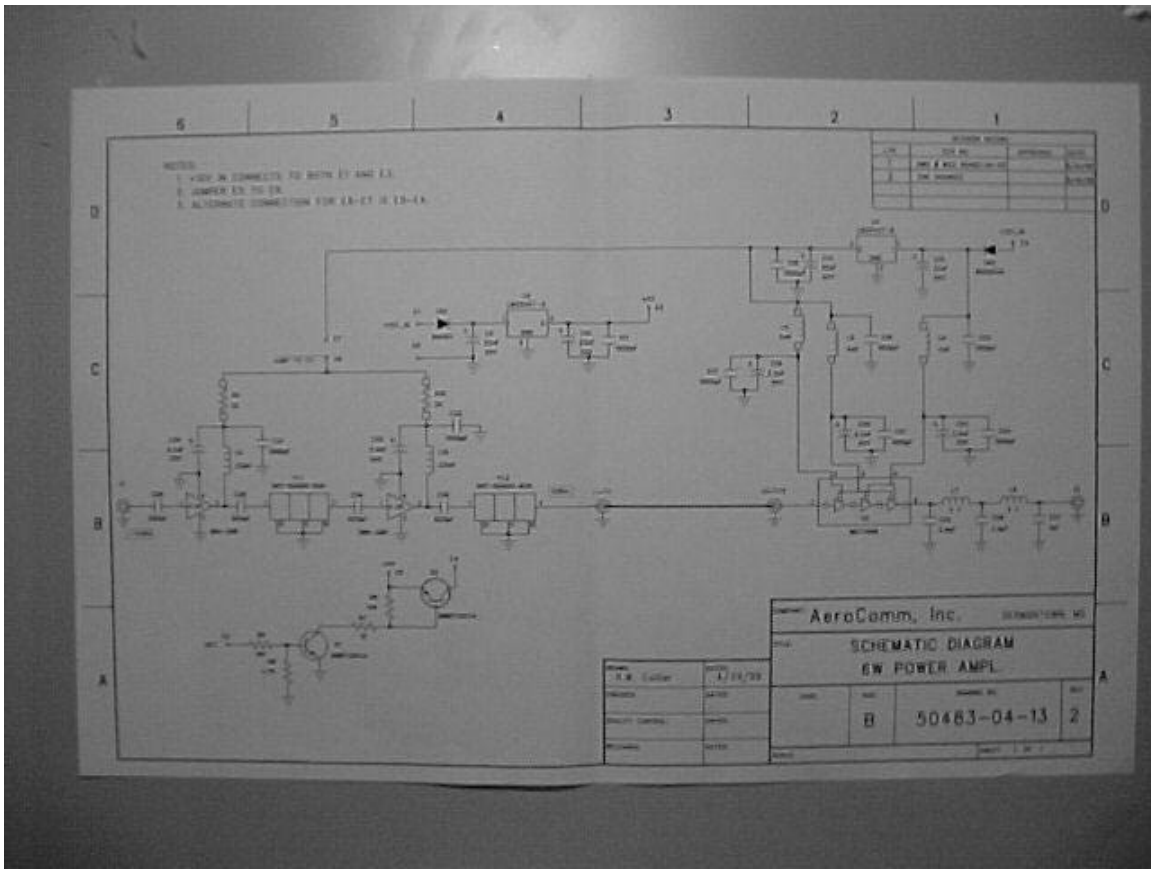


Figure 11: 6 watt power amp 1 of 4

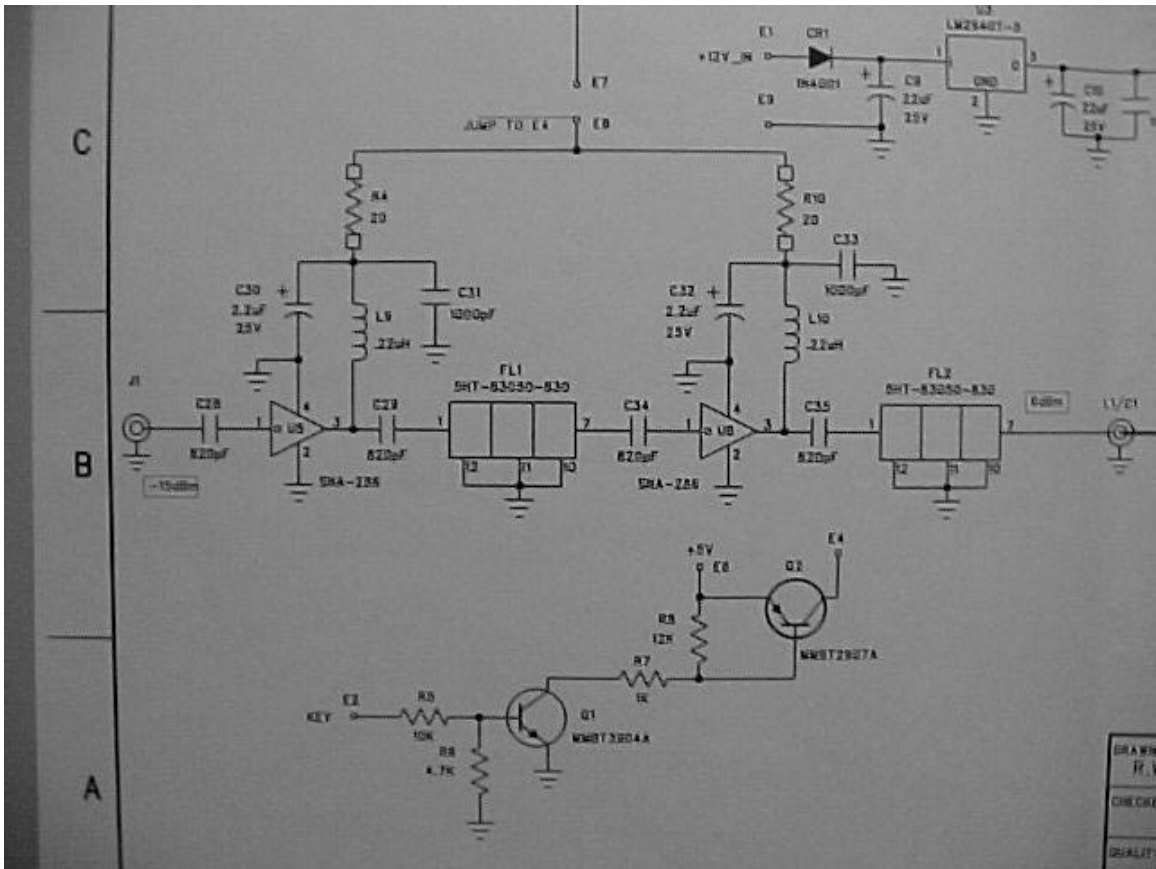


Figure 12: 6 watt power amp 2 of 4

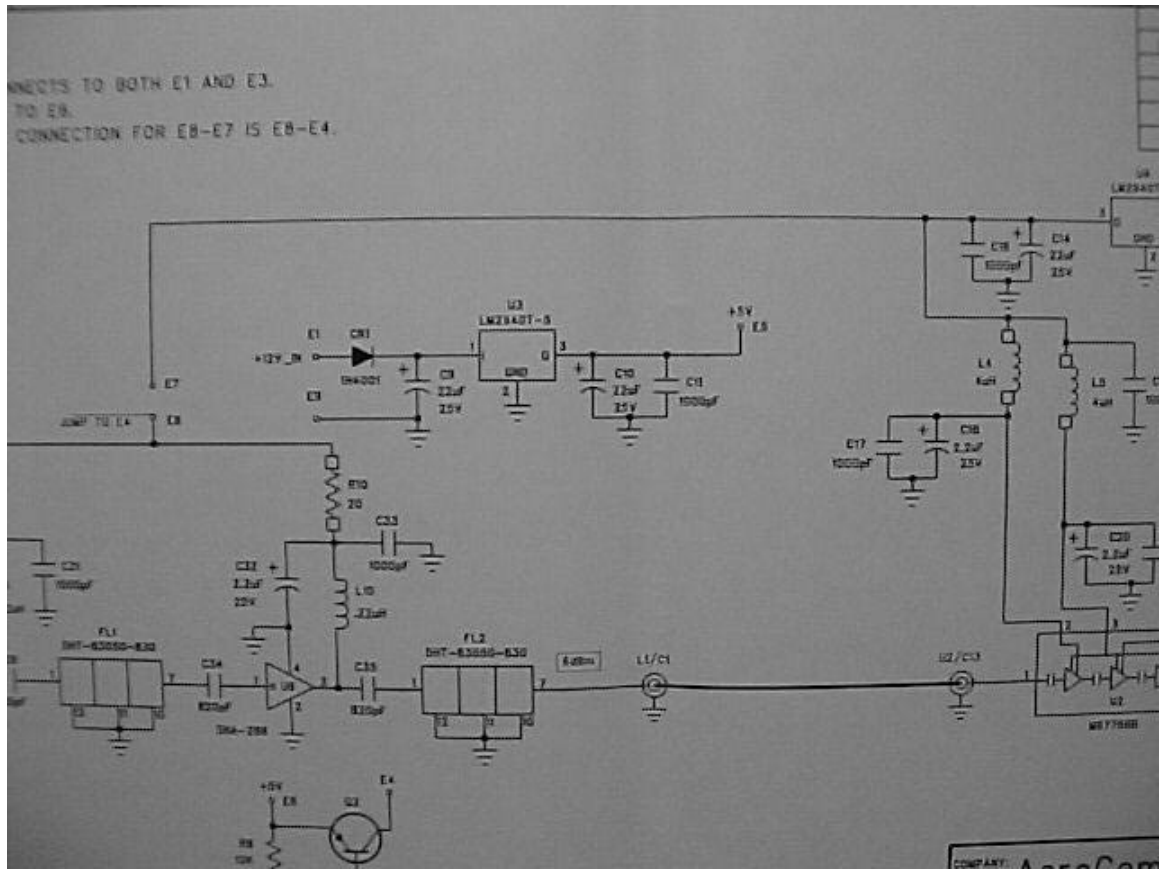


Figure 13: 6 watt amp 3 of 4

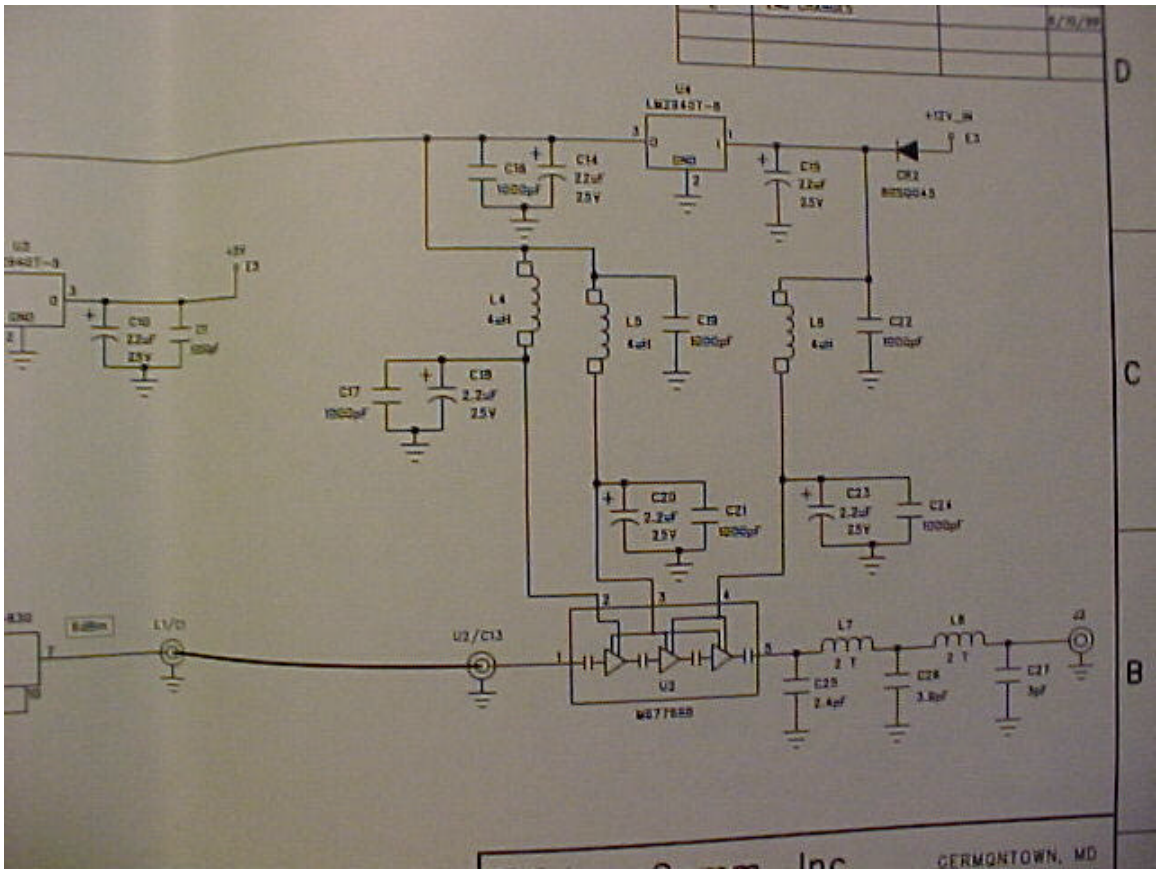


Figure 14: 6 watt amp 4 of 4

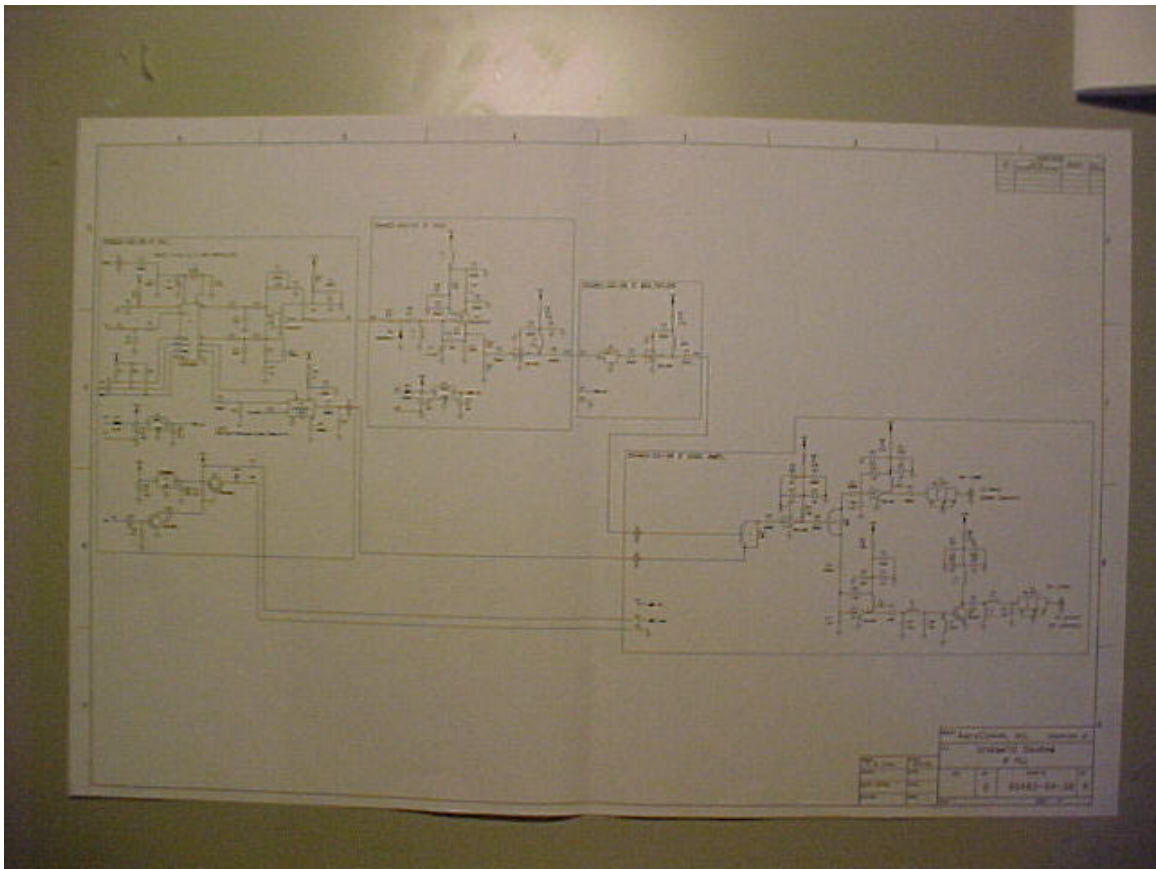


Figure 15: IF PLL 1 of 6

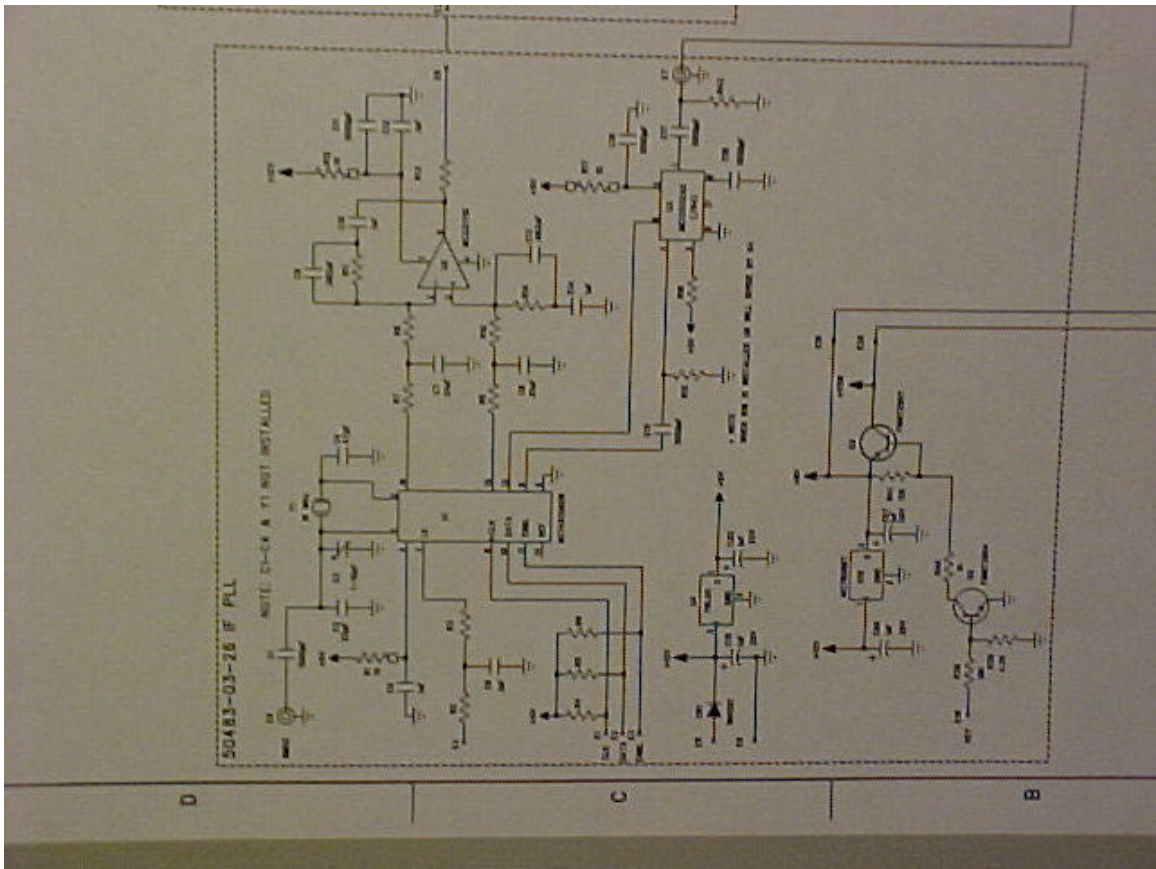


Figure 16: IF PLL 2 of 6



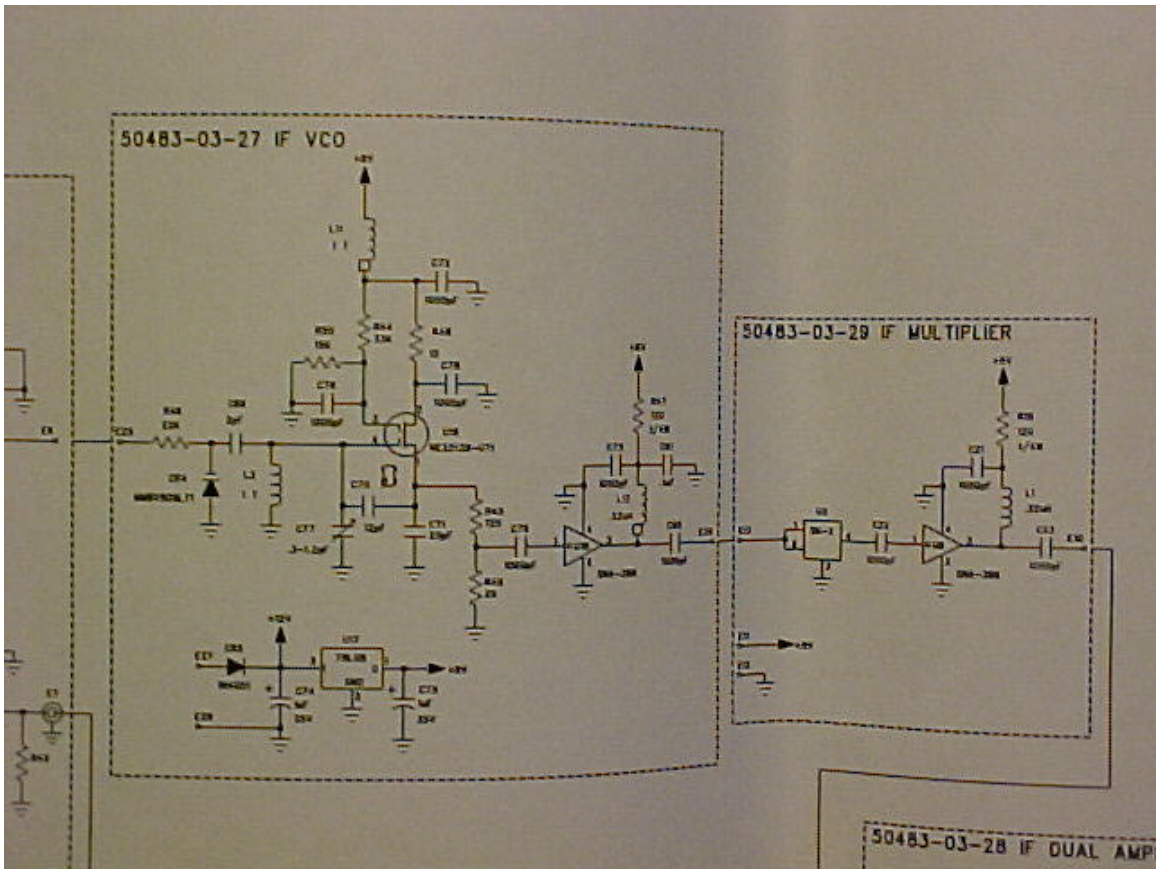


Figure 17: IF PLL 3 of 6



Figure 18: If P11 4 of 6

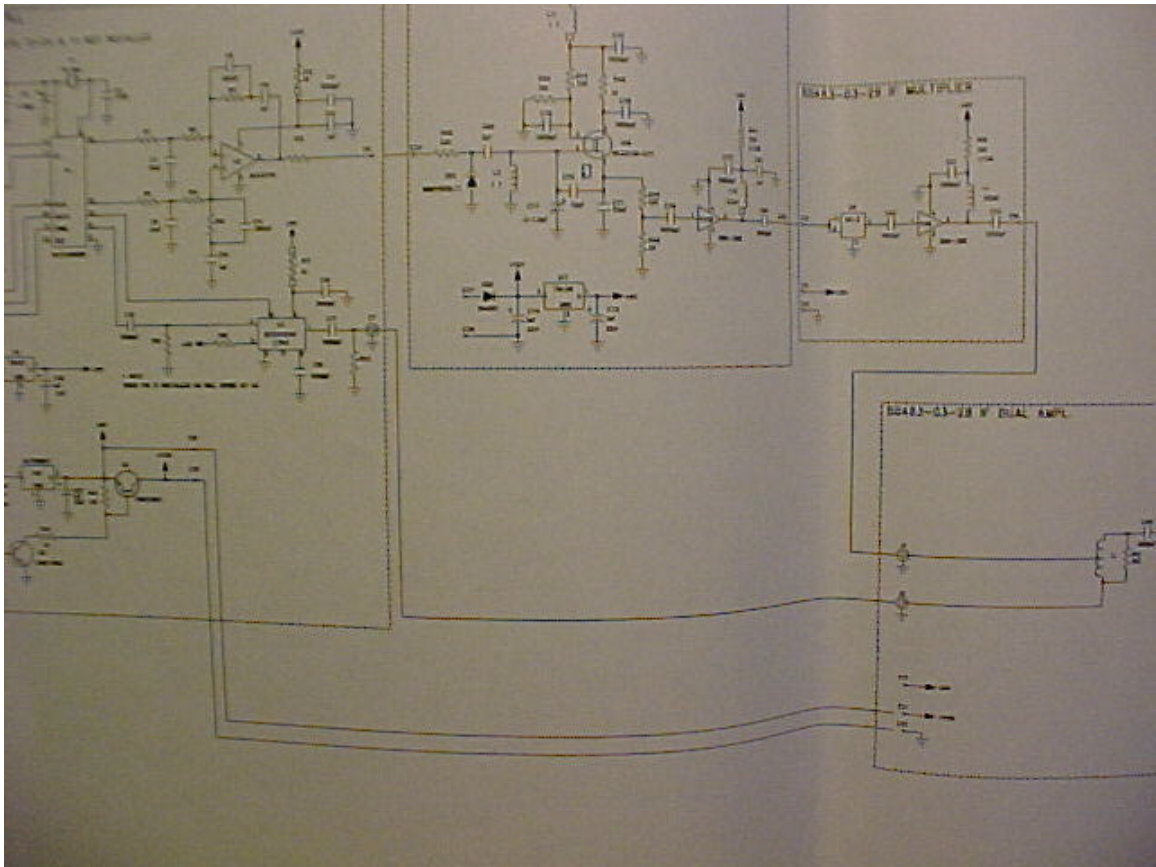


Figure 19: IF P11 5 of 6

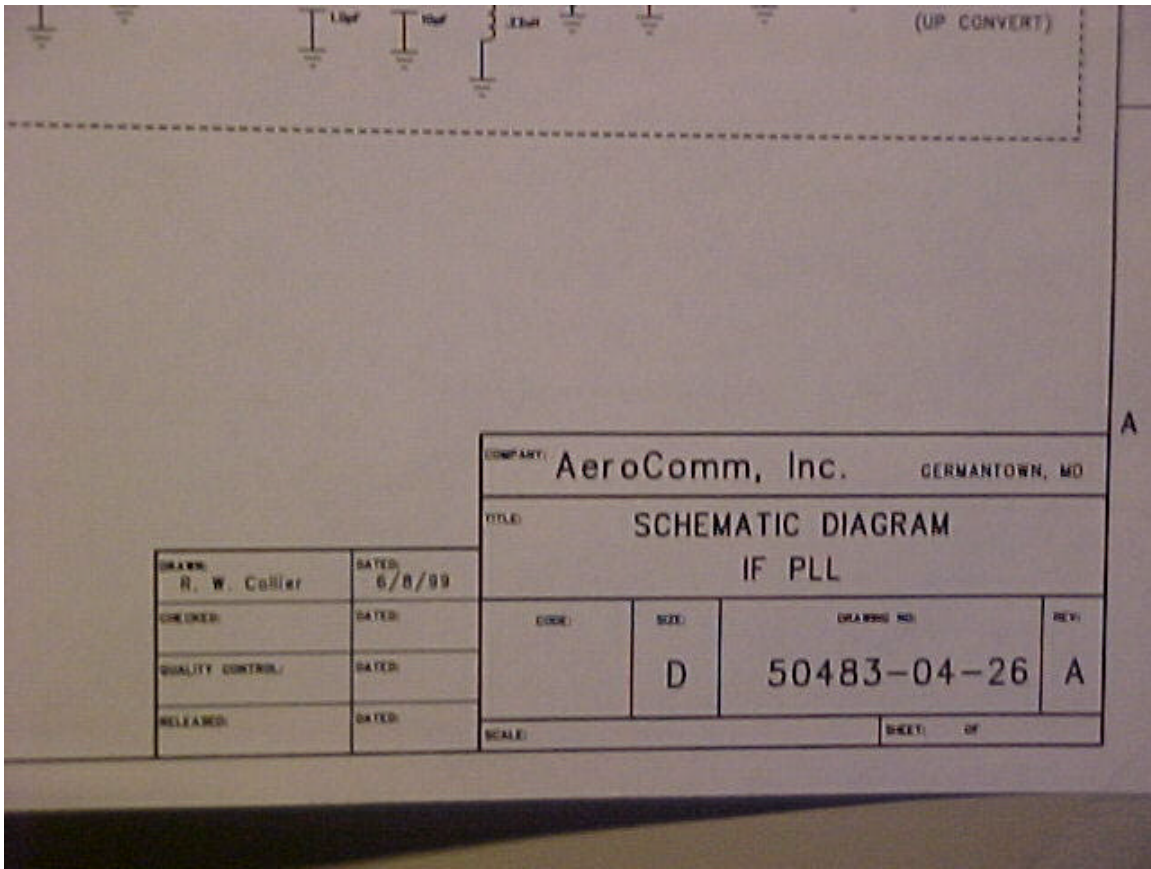


Figure 20: IF PLL 6 of 6