

Figure 1: Diagram 1 of 7

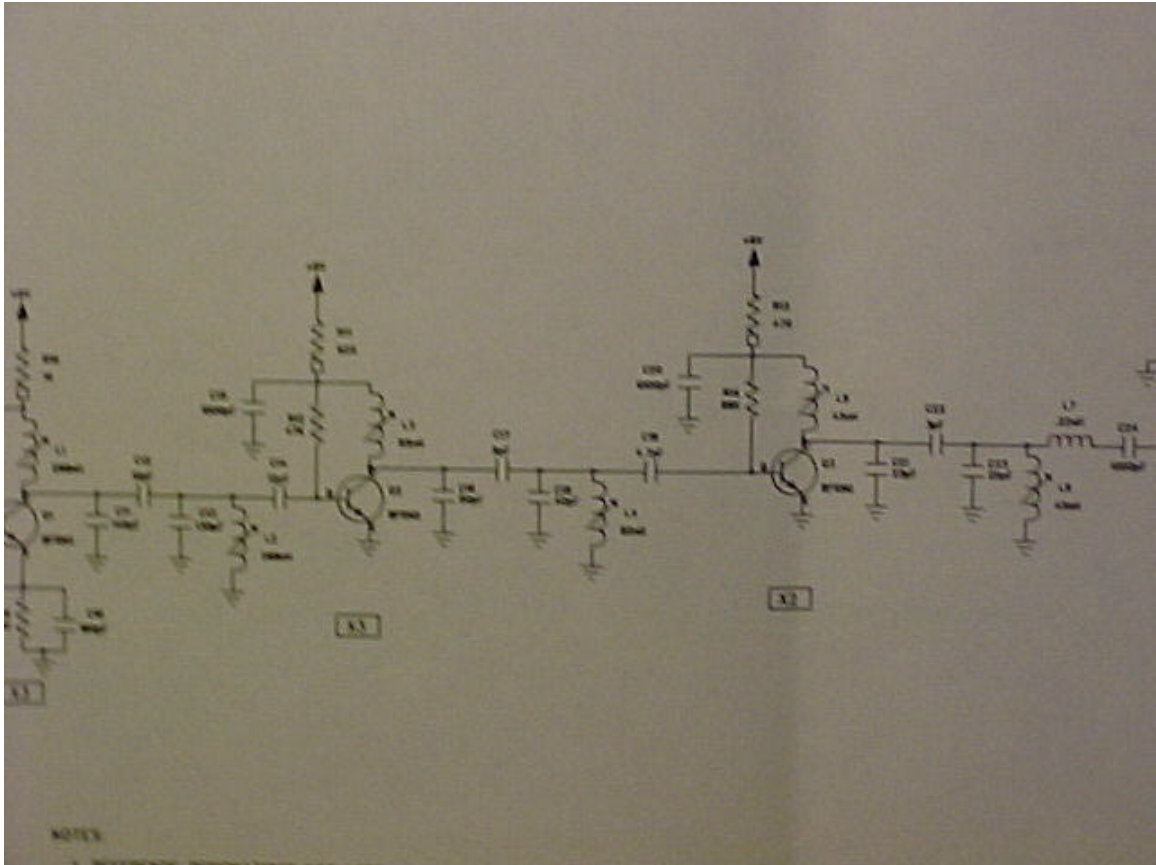


Figure 2 Diagram 2 of 7

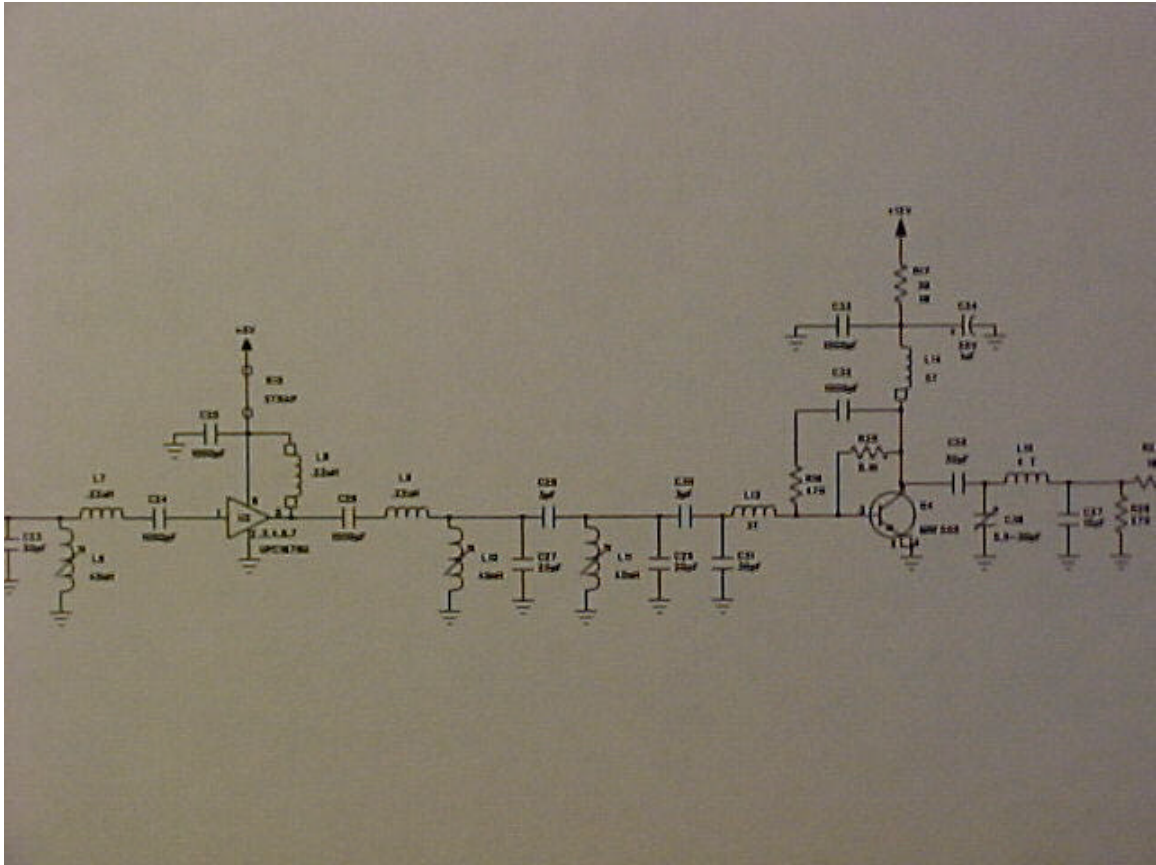


Figure 3: Diagram 3 of 7

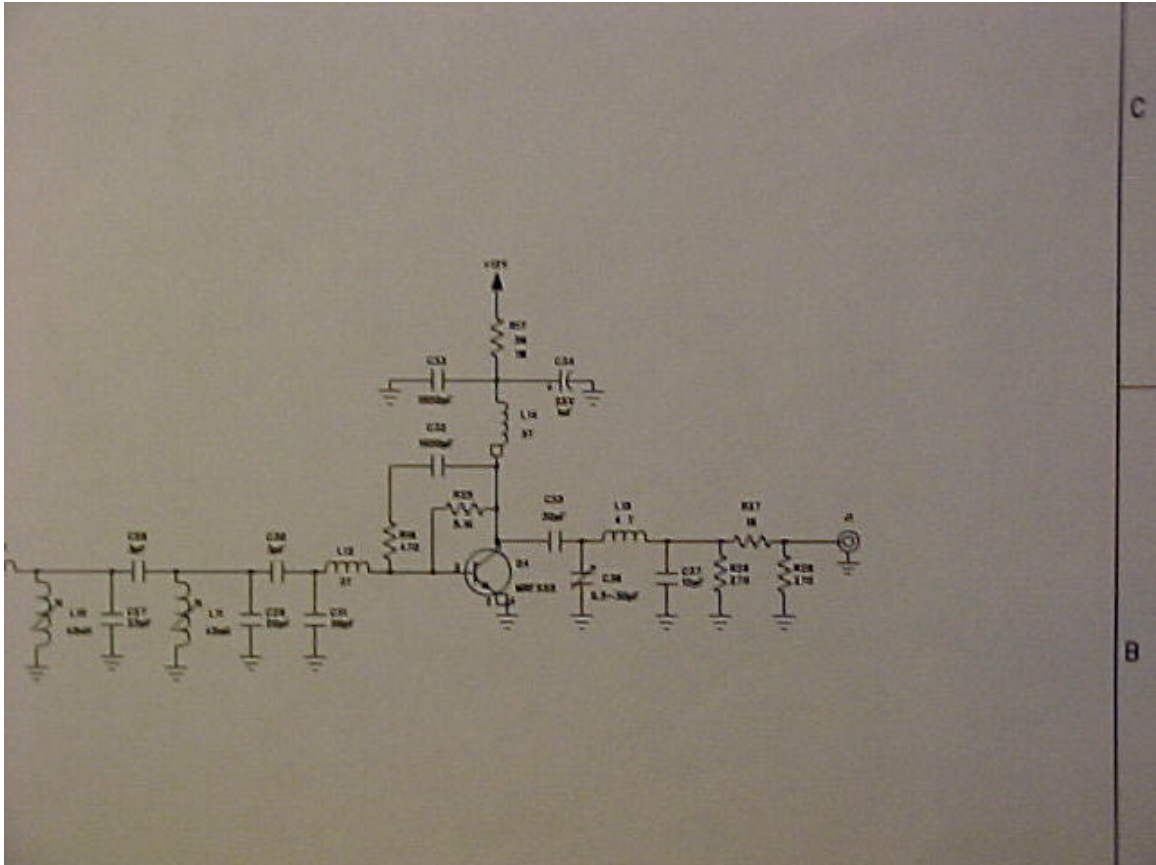


Figure 5: Diagram 5 of 7

Company : Aerocomm
FCC ID : KJA501540302

VHF Transmitter
Job # 9252-01

DRAWN: R.W. Collier		DATED: 2/21/97	COMPANY: AeroComm, Inc.			
CHECKED:		DATED:	TITLE: SCHEMATIC 173 MHz TX			
QUALITY CONTROL:		DATED:	CODE:	SIZE: D	DRAWING NO: 50154-04-02	REV: A
RELEASED:		DATED:	SCALE:		SHEET: 1 OF 1	

Figure 6: Diagram 6 of 7

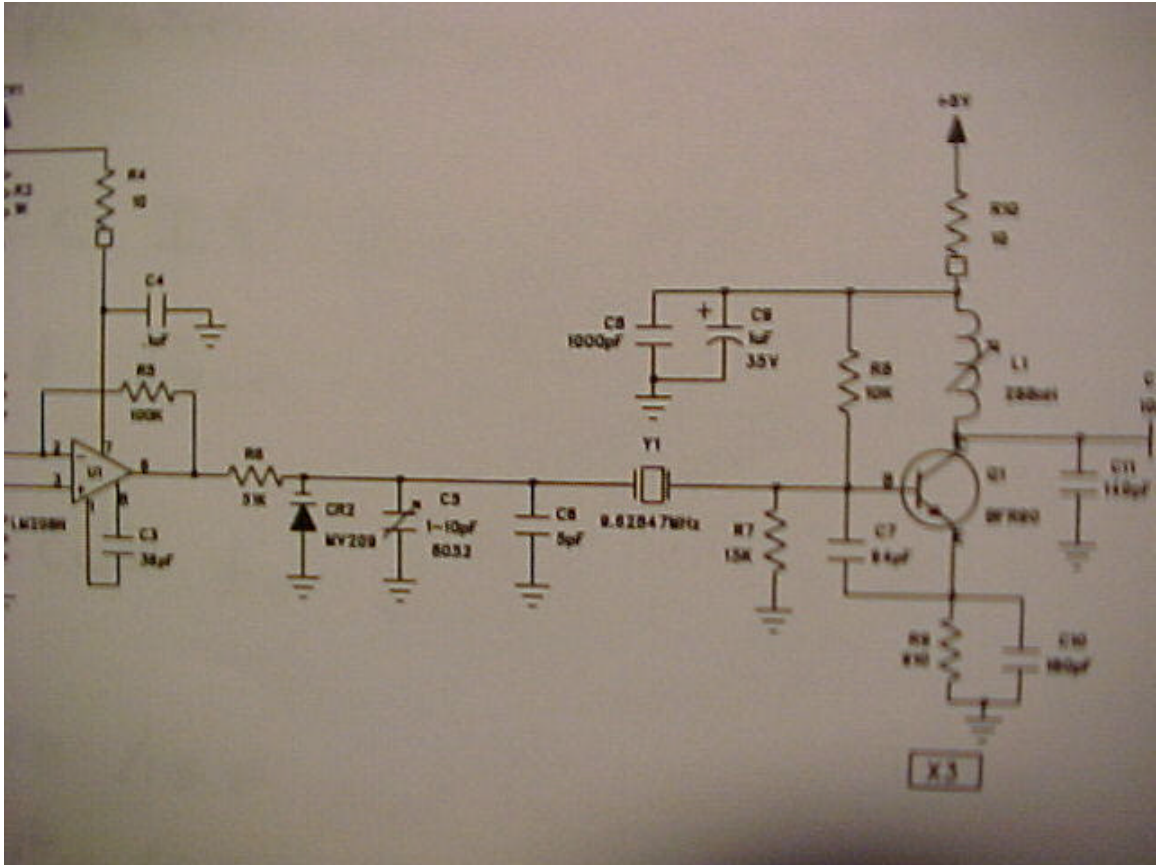


Figure 7: Diagram 7 of 7