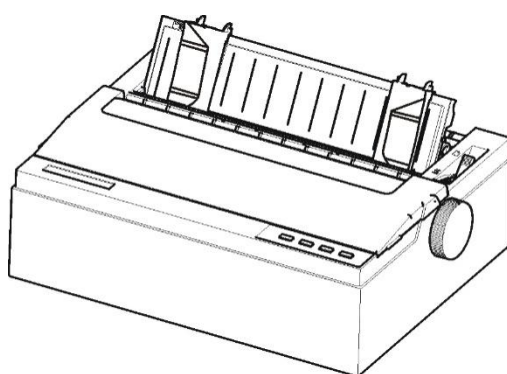




**FUJITSU DL3100**  
**DOT MATRIX PRINTER**  
**USER'S MANUAL**



**FUJITSU**



## **IMPORTANT NOTE TO USERS**

READ THE ENTIRE MANUAL CAREFULLY BEFORE USING THIS PRODUCT. INCORRECT USE OF THE PRODUCT MAY RESULT IN INJURY OR DAMAGE TO USERS, BYSTANDERS OR PROPERTY.

While FUJITSU ISOTEC has sought to ensure the accuracy of all information in this manual, FUJITSU ISOTEC assumes no liability to any party for any damage caused by any error or omission contained in this manual, its updates or supplements, whether such errors or omissions result from negligence, accident, or any other cause. In addition, FUJITSU ISOTEC assumes no liability with respect to the application or use of any product or system in accordance with descriptions or instructions contained herein; including any liability for incidental or consequential damages arising therefrom. FUJITSU ISOTEC DISCLAIMS ALL WARRANTIES REGARDING THE INFORMATION CONTAINED HEREIN, WHETHER EXPRESSED, IMPLIED, OR STATUTOR.

FUJITSU ISOTEC reserves the right to make changes to any products described herein without further notice and without obligation.

## **Using This Product in High-risk Situation**

This Product is designed, developed and manufactured as contemplated for general use, including without limitation, general office use, personal use, household use, and ordinary industrial use, but is not designed, developed and manufactured as contemplated for use accompanying fatal risks or dangers that, unless extremely high safety is secured, could lead directly to death, personal injury, sever physical damage or other loss(hereinafter “High Safety Required Use”), including without limitation, nuclear control in nuclear facility, aircraft flight control, air traffic control, mass transport control, medical life support system, missile launch control in weapon system. You shall not use this Product without securing the sufficient safety required for the High Safety Required Use. If you wish to use this Product for High Safety Required Use, please consult with our sales representatives in charge before such use.

## **EXPORT CONTRO**

This manual contains technology which is subject to the Foreign Exchange and Foreign Trade Law of Japan. This manual should not be exported or transferred to foreign countries in any fromor method, or released to anyone other than the residents of Japan prior obtaining applicablelicense from your local government or authorities and/ or the Ministry of Economy, Trade and Industry of Japan in accordance with the above law.



*Following notes for United States are valid for 100-120V model only.*

**Federal Communications Commission  
Radio Frequency Interference Statement  
for United States Users**

**NOTE:** This equipment has been tested and found to comply with the limits for a Class B digital device, pursuant to Part 15B of the FCC Rules.

These limits are designed to provide reasonable protection against harmful interference in a residential installation. This equipment generates, uses, and can radiate radio frequency energy and, if not installed and used in accordance with the instructions, may cause harmful interference to radio communications. However, there is no guarantee that interference will not occur in a particular installation. If this equipment does cause harmful interference to radio or television reception, which can be determined by turning the equipment off and on, the user is encouraged to try to correct the interference by one or more of the following measure:

- Reorient or relocate the receiving antenna.
- Increase the separation between the equipment and receiver.
- Connect the equipment into an outlet on a circuit different from that to which the receiver is connected.
- Consult the dealer or an experienced radio/TV technician for help.

<p><b>FCC warning:</b> Changes or modifications not expressly approved by the party responsible for compliance could void the user's authority to operate the equipment.</p>
--

**NOTES**

1. Testing of this equipment was performed on model number M33342A.
2. The use of an unshielded a non-shielded interface cable with the referenced device is prohibited. The length of the parallel interface cable must be 3 meters (9.8 feet) or less. The length of the optional serial interface cable must be 15 meters (50 feet) or less.
3. The length of the power cord must be 3 meters (9.8 feet) or less.

The contents of this manual may be revised without prior notice and without obligation to incorporate changes and improvements into units already shipped.

Every effort has been made to ensure that the information included here is complete and accurate at the time of publication; however, Fujitsu Isotec Limited cannot be held responsible for errors and omissions.

Printer model specifications differ with the power supply input voltage (100-120 V) and (200-240 V) .

KA02087-Y890-01EN FEBRUARY 2017

Copyright © 2017 FUJITSU ISOTEC LIMITED

Printed in Japan. All rights reserved. No part of this manual may be reproduced or translated, stored in a database or retrieval system, or transmitted, in any form or by any means, electronic, mechanical, photocopying, recording, or otherwise, without the prior written permission of Fujitsu Isotec Limited.

**TRADEMARK  
ACKNOWLEDGEMENTS**

FUJITSU is a registered trademark and Fujitsu Creative Faces is a trademark of Fujitsu Limited. Centronics is a trademark of Centronics Data Computer Corporation. IBM PC and IBM Proprinter XL24E are trademarks of International Business Machines Corporation. ESC/P2 is a trademark of Seiko Epson Corporation. Microsoft is a registered trademark and MS-DOS and Windows are trademarks of Microsoft Corporation. Nimbus Sans is a registered trademark of URW Unternehmensberatung Karow Rubow Weber GmbH, Hamburg

Other product names mentioned in this manual may also be trademarks of their respective companies.

## ABOUT THIS MANUAL

*Thank you for buying the Fujitsu DL3100Pro dot matrix printer.*

You can expect years of reliable service with very little maintenance. This manual explains how to use your printer to full advantage. It is written for both new and experienced printer users.

This manual describes how to install, set up, and use your printer and printer options. It also explains how to keep the printer in good working condition and what to do should something go wrong. Detailed procedures are provided for first-time users. Experienced users can skip some of the details, using the table of contents and chapter introductions to locate information.

## PRINTER MODELS AND OPTION

This manual has several appendixes, a glossary, and an index.

### Appendix

A lists supplies and additional documentation and information available from your dealer or authorized Fujitsu representative. Fujitsu offices are listed at the end of the manual.

This manual covers model DL3100, a 80-column printer. Each model has a 100~120 & 200-240 power supply.

Models with the Centronics parallel +USB interfaces. You must specify these when purchasing the printer.

### DL3100

—	Basic specifications
	Print line at 10 cpi: 80 columns (DL3100)
—	Control Panel: LED type
	Interface: Factory default USB
	Parallel, Ethernet, RS232CSerial
—	Alternative specification
	Power supply:100~120 & 200-240

cpi: characters per inch

## ORGANIZATION

This manual is organized as follows:

**Quick Reference** summarizes everyday printer operations. After you become familiar with the printer, use this section as a memory aid.

**Chapter 1, Introduction**, introduces the printer and identifies key features and options that enhance the printer's capabilities.

**Chapter 2, Setting Up**, gives step-by-step procedures for setting up the printer for immediate use and identifies the main parts of the printer. If this is your first printer, you should read the entire chapter before attempting to use the printer.

**Chapter 3, Paper Handling**, explains how to load and use paper with your printer.

**Chapter 4, Printing**, covers basic printing operations. This chapter describes everyday operations from the printer's control panel, such as loading paper and selecting print features, in detail. After you become more familiar with the printer, use **Quick Reference** at the beginning of the manual to refresh your memory as needed.

**Chapter 5, Using Setup Mode**, describes how to change the printer's optional settings, such as print features, hardware options, and top-of-form. Most settings only affect print features such as the typestyle and page format. Note that certain settings directly affect hardware and software compatibility. Refer to this chapter as indicated in Chapter 2 or as required.

**Chapter 6, Maintenance**, explains basic maintenance procedures for this printer.

**Chapter 7, Trouble-Shooting**, describes problem-solving techniques. Before you contact your dealer for help, check the list of problems and solutions provided in this chapter.

**Chapter 8, Installing Options**, describes the options available for the printer and explains how to install them.

At the end of this manual, you will find several appendixes, a glossary, and an index. Appendix A gives order numbers for printer supplies, options, and publications. Other appendixes provide additional technical information about the printer.



## CONVENTIONS

Special information, such as warnings, cautions, and notes, are indicated as follows:

### WARNING

*A WARNING indicates that personal injury may result if you do not follow a procedure correctly.*

### CAUTION

*A CAUTION indicates that damage to the printer may result if you do not follow a procedure correctly.*

### NOTE



**A NOTE provides “how-to” tips or suggestions to help you perform a procedure correctly. NOTES are particularly useful for first-time users.**










### For Experienced Users

*If you are familiar with this printer or with dot matrix printers in general this information will help you use the manual effectively.*

## Warning symbols

Various graphic symbols are used in this manual. They serve as signs to help users of this product use the product safely and correctly as well as prevent damage and personal injury to the users or bystanders. The following tables show and explain each symbol. Be sure that you understand the meaning of each symbol before reading the manual.

 <b>WARNING</b>	 <b>CAUTION</b>
A <b>WARNING</b> indicates that death or serious personal injury may result if you do not follow a procedure correctly	A <b>CAUTION</b> indicates that personal injury or property damage may result if you do not follow a procedure correctly

<b>Examples and explanations of graphic symbols</b>	
	△ Indicates a warning or caution item. By itself, the image in this symbol suggests the meaning of the warning or caution (the example on the left is a caution of possible electric shock).
	⊘ Indicates a prohibited action. The image in or beside this symbol expresses the prohibited action (the example on the left indicates that disassembly is prohibited).
	● Indicates a direction that must be observed. The image in this symbol shows the direction (the example on the left shows the direction in which a power plug is disconnected from an outlet).
 Caution: Hot	This symbol and accompanying statement indicate a risk of injury from a hot object.
 Caution: Flammable	This symbol and accompanying statement indicate a risk of fire.
 Do not touch	This symbol and accompanying statement indicate a risk of injury from touching part of the equipment.
 Do not disassemble	This symbol and accompanying statement indicate a risk of injury, such as from electric shock, caused by disassembling the equipment.
 General prohibited action	This symbol and accompanying statement indicate a general prohibited action.
 General caution	This symbol and accompanying statement indicate a general caution.

## Notes on Safet

### WARNING



### WARNING



Do not place a container containing water, such as a vase, potted plant, and drinking glass, or a metal object on or near the printer.

Otherwise, electric shock or fire may result.

Do not place the printer in a humid or dusty area, in an area with explosive fumes, an area with poor ventilation or close to a fire.

Otherwise, electric shock or fire may result.

Use only one of the power cords included with this product, for this product. Do not use any other power cord for this product.

Otherwise, electric shock or fire may result.



Do not use this product in an area exposed to a high level of moisture, such as a bathroom and shower room.

Otherwise, electric shock or fire may result.



## WARNING



When mounting or removing an optional device or component, turn off the power to the printer and personal computer and disconnect their power plugs from the outlets before performing the work.

Otherwise, electric shock may result.

Connect only Fujitsu-recommended optional devices and components.

Otherwise, electric shock or fire may result.



## CAUTION



Do not block openings in the printer (e.g., ventilation openings)

If ventilation openings are blocked, heat accumulates inside the printer, possibly resulting in a fire.

Do not place a heavy object on the printer. Also, do not subject the printer to shocks.

Otherwise, the printer may become unbalanced, causing it to fall, and possibly resulting in personal injury.

Do not place the printer in an area exposed to strong vibration or an unstable area such as on a slope.

Otherwise, the printer may fall or topple, possibly resulting in personal injury.

Do not leave the printer in an area exposed to direct sunlight for a long time, such as inside a car under the sun or any other area subjected to high temperatures.

Otherwise, the printer surface heats up, possibly melting covers or resulting in other deformities, or the inside of the printer may become extremely hot, possibly resulting in fire.



Before moving the printer, be sure to disconnect the power plug from the outlet and disconnect all connected cables from the printer.

Otherwise, the power cord may be damaged, possibly resulting in electric shock or fire, or the printer may fall or topple, possibly resulting in personal injury.

Before connecting or disconnecting a printer cable, be sure to turn off the power to the printer and personal computer.

Performing that and related work without the power turned off may result in a personal computer or printer failure.



**WARNING**



If the printer is making a strange noise, which indicates a problem, discontinue printer operation. Request your printer dealer to fix the problem.

Continued operation of the printer without repairs may result in electric shock or fire.

Do not use a power source whose voltage is other than that indicated. Also, an excessive number of plugged-in power cords must not be connected to a single outlet.

Otherwise, electric shock or fire may result.

Do not spill any liquid, such as water, on the printer.

Otherwise, electric shock or fire may result.

Do not damage or modify the power cord.

The power cord may be damaged by placing a heavy object on it, stretching it excessively, forcibly bending it, twisting it, or heating it, and this may result in electric shock or fire.

Do not use the power cord if it or the power plug is damaged or the plug does not fit securely in the outlet receptacle.

Using the power cord in that condition may result in electric shock or fire.

Do not insert the power cord into an outlet or turn on the power to the printer when any of its covers has been removed.

Otherwise, electric shock or fire may result.

Prevent foreign objects, such as metal shards and inflammable materials, from being inserted or dropped into any openings in the printer (e.g., ventilation openings).

Otherwise, electric shock or fire may result.

Do not disconnect the power plug from the outlet while the power to the printer is turned on.

Otherwise, the plug becomes deformed, possibly resulting in fire



Do not remove the main printer cover or the cover for the cable connectors except as necessary. To check and repair internal components, request your printer dealer to do so.

Some internal components use high voltage, and touching them may result in electric shock.

Do not modify the printer by yourself.

Otherwise, electric shock or fire may result.



Do not connect or disconnect the power plug with wet hands.  
Otherwise, electric shock may result.



## WARNING



If excessive heat, smoke, a strange odor, or a strange noise is coming from the printer or any other abnormality is observed, immediately turn off the power to the printer by using the power switch, and be sure to disconnect the power plug from the outlet.

Then, after verifying the end of the abnormality (e.g., no more smoke is coming from the printer), request your printer dealer to make repairs. Do not repair the printer by yourself as doing so is dangerous.

Continued use of the printer when it is operating abnormally may result in electric shock or fire.

If a foreign object (e.g., water or other liquid, metal shard) has entered the printer, immediately turn off the power to the printer by using the power switch, and disconnect the power plug from the outlet. Then, contact your printer dealer.

Continued use of the printer in that condition may result in electric shock or fire. Customers who use the printer near children should take especial care regarding this point.

If the printer is dropped or a cover is damaged, turn off the power to the printer by using the power switch, and disconnect the power plug from the outlet. Then, contact your printer dealer.

Continued use of printer in that condition may result in electric shock or fire.

Before performing cleaning, maintenance, or troubleshooting work on the printer, switch off the power switch, and be sure to disconnect the power plug from the outlet.

Performing that work on the printer without the power turned off may result in burns or electric shock



If dust accumulates on or near the metal parts of the power plug, so wipe away that dust with a dry cloth.

Continued use of printer in that condition may result in fire.



Do not drop or strike the printer, such as by hitting it against something.

Otherwise, a failure may result



## CAUTION



Insert the power plug completely into an outlet so that it is securely connected.

Otherwise, electric shock or fire may result.

Exercise caution to keep loose clothing, hair, neckties, etc. away from paper feed- or ejection openings, and tractors while the printer is operating.

Otherwise, personal injury may result.



When disconnecting the power plug from the outlet, pull it out while grasping the plug, not the cord.

If you pull it out while grasping the cord, the insulation may be damaged or the cable core may be exposed or damaged, possibly resulting in electric shock or fire.

Do not cover or wrap the printer with a cloth or anything else while it is operating.

Otherwise, heat accumulates, possibly resulting in fire.

Do not use the power cord with it bunched together.

Otherwise, heat accumulates, possibly resulting in fire.



If the printer operates when the front cover is unclosed, immediately turn the printer off, and unplug the power cord from wall outlet.

Then contact your printer dealer to make repair of safety interlock.

Continued use of the printer in that condition, operation of the mechanism inside of the front cover may become a cause of an injury.

If the printer is not to be used for a long time, disconnect the power plug from the outlet for safety reasons.

Otherwise, electric shock or fire may result.

If a lightning storm is in nearby, disconnect the power plug from the outlet.

Leaving the plug connected to the outlet may result in damage to the printer or other property damage



## CAUTION



The print head and internal frames become extremely hot during printer operation and remain so immediately afterwards. Do not touch these parts until sufficient time has passed to allow them to cool.

Otherwise, burns or personal injury may result.



Do not touch the paper feed- or ejection openings while the printer is operating.

Otherwise, personal injury may be result.

Do not touch the printer cable connectors or the metal part of the print head.

Otherwise, personal injury or a printer failure may result.

Do not touch the print head while it is moving.

Otherwise, burns or personal injury may result.



Note that continuous forms that are fed in the reverse direction continuously may come off the paper feed tractors.

Operate the printer with the paper thickness set to the appropriate paper thickness.

Use only an original ribbon cassette that is specified as suitable by Fujitsu.

Textile fibers accumulate on components inside the printer and parts of the roller, so clean these parts regularly.

Do not turn the ribbon feed knob in the reverse direction.

Otherwise, the ribbon may become jammed and stuck.

If printing is started with a slack ribbon, the ribbon may become tangled or the ribbon feed mechanism may become locked.

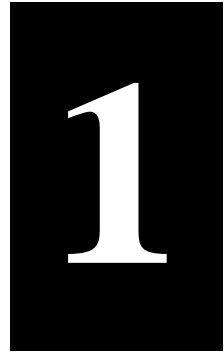
The print head is extremely hot immediately after printing. When replacing the ribbon, verify that the print head is sufficiently cool before setting the print head to the ribbon replacement position.



## TABLE OF CONTENTS

CHAPTER 1. Unpacking Guide.....	1-1
SELECTING A GOOD LOCATION .....	1-2
UNPACKING THE PRINTER.....	1-3
PRINTER COMPONENTS .....	1-5
CHAPTER 2. Setting Up Printer.....	2-1
Install Ribbon.....	2-2
Install the single sheet feeder .....	2-4
Connecting the Interface Cable.....	2-6
Connecting the Power Supply .....	2-7
Installing the Windows Driver .....	2-8
CHAPTER 3 Paper Installation Guide .....	3-1
Adjusting the Print Gap Lever .....	3-2
Friction Feed Handling .....	3-3
Tractor Feed Handling .....	3-4
Continuous Paper Placement.....	3-5
TIPS ON PAPER HANDLING .....	3-6
CHAPTER 4 Control Panel Operation.....	4-1
LED Indicators.....	4-3
Control Panel Keys.....	4-4
Panel Operation .....	4-7
Online State.....	4-8
Setup State .....	4-9
Power-on State.....	4-11
CHAPTER 5 Printer Setting Changes.....	5-1
System Setup.....	5-2
Paper Setup.....	错误!未定
义书签。	
Interface Setup.....	错误!未定
义书签。	
Character Setup.....	错误!未定
义书签。	
Other Setup.....	错误!未定
义书签。	
German (Deutsch) .....	5-11
Russian (Россия).....	5-14
Italian (Italiano).....	5-17
French (Français) .....	5-19
Spanish (Español) .....	5-22
Turkish (Türkçe) .....	5-25
Portuguese (Português) .....	5-28
Black Mark Parameters .....	5-31

Bidirectional Alignment.....	5-35
CHAPTER 6. Customized Form.....	6-1
Customize Cut Sheet Form Length .....	6-2
Customize Cut Sheet TOF .....	6-5
Customize Cut Sheet Bottom Margin.....	6-6
Customize Cut Sheet Left Margin.....	6-6
Customize Fanfold Page Formatting Parameters .....	6-7
CHAPTER 7..... MAINTENANCE.....	7-1
CLEANING.....	7-2
Cleaning the Platen ( Paper Rollers ) .....	7-4
REPLACE THE RIBBON .....	7-5
CHAPTER 8TROUBLE-SHOOTING.....	8-1
SOLVING PROBLEMS.....	8-2
Print Quality Problems .....	8-2
Paper Handling Problems and Solutions .....	8-4
Operating Problems and Solutions.....	8-6
Printer Failures .....	8-7
Diagnostic Functions .....	8-8
Getting help.....	8-8
CHAPTER 9SUPPLIES AND OPTIONS.....	9-1
SUPPLIES.....	9-1
OPTIONS.....	9-1
CHAPTER 10PRINTER AND PAPER SPECIFICATIONS.....	10-1
PHYSICAL SPECIFICATIONS .....	10-1
FUNCTIONAL SPECIFICATIONS.....	10-2
PERFORMANCE SPECIFICATIONS.....	10-5
PAPER SPECIFICATIONS.....	10-8
CHAPTER 11COMMAND SETS.....	11-1
ESC/P2 Emulation Command List.....	11-2
IBM Emulation Command List.....	11-23
DPL24C Plus Additional Commands .....	11-38
CHAPTER 12INTERFACE INFORMATION .....	12-1
Parallel interface .....	12-2
USB interface.....	12-6
Serial interface .....	12-7
Ethernet interface .....	12-11
CHAPTER 13Character sets & Code Pages.....	13-1
Character Sets .....	13-1
Code Page Commands .....	13-6
Code Page Tables.....	13-8
CHAPTER 14RESIDENT FONTS.....	14-1
CHAPTER 15 INDEX.....	15-1



## Unpacking Guide

If this is your first printer, you should read the entire chapter before attempting to use the printer.

In this chapter, you will learn how to:

- Select a good location for the printer
- Unpacking the Printer
- Know the name of the printer components

## **SELECTING A GOOD LOCATION**

This printer is suitable for most business, office, and home environments.

To obtain peak performance from the printer, select a location that meets the following guidelines:

- √ Place the printer on a sturdy, level surface.
- √ Place the printer near a well-grounded AC power outlet.
- √ Ensure easy access to the front and rear of the printer by leaving several inches of space around the printer. Do not block the airvents on the front, left, and right sides of the printer.
- √ Do not place the printer in direct sunlight or near heaters.
- √ Make sure that the room is well-ventilated and free from excessive dust.
- √ Do not expose the printer to extremes of temperature and humidity.
- √ Use only the power cord supplied with the printer or recommended by your dealer. Do not use an extension cord.
- √ Do not plug the printer into a power outlet that is shared with heavy industrial equipment, such as motors, or appliances, or such as copiers or coffee makers. Such equipment often emits electrical noise or causes power degradation.

## UNPACKING THE PRINTER

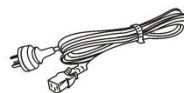
Unpack the printer as follows:

1. Place your packaged printer on a solid base.
2. Make sure that the “Up” symbols point in the correct direction.
3. Open the packaging, lift the printer out of the cardboard box and remove the remaining packaging material.
4. Check the printer for any visible transport damage and missing items. If you find any transport damage or if any accessories are missing, please contact your dealer. The following items are included:

- Printer
- Paper feed knob
- Sheet feeder
- Power cord
- Ribbon cartridge
- CD-ROM
- Installation Guide
- USB cable



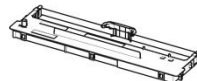
Sheet feeder



Power cord



Installation Guide



Ribbon cartridge



USB cable



Printer



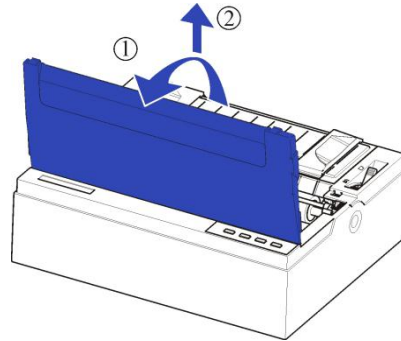
Paper feed knob



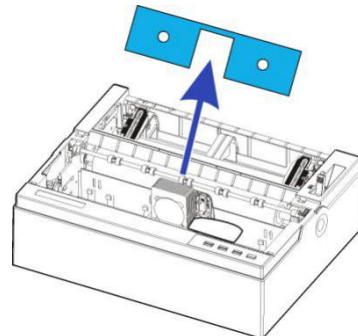
CD-ROM

Remove the packaging materials from the printer as follows:

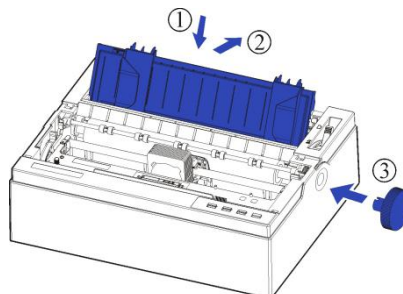
1. Open and remove the top covers of the printer following the below picture.



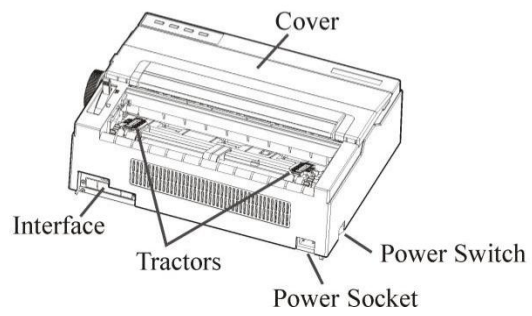
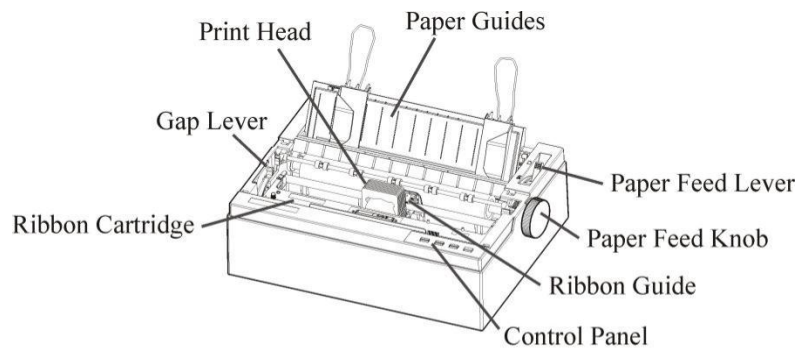
2. Remove the shipping cardboard from around the print head.





3. Install the paper feed knob. Rotate the paper feed knob to make it fix with the latch. And then press it to lock.



## PRINTER COMPONENTS



See the table of next page.

<b>Component</b>	<b>Function</b>
Gap Lever	Adjusts the print gap lever according to the thickness of paper
Paper Guides	Adjusts positioning of single sheet paper
Print Head	24-pin printing mechanism
Cover	Protects print head and other components inside, and reduce noise
Control Panel	Shows printer status, for printer setup
Paper Feed Lever	Two positions:  = continuous forms;  = single sheet paper
Paper Feed Knob	Manual feed or vertical positioning of paper
Power Switch	Power printer ON or OFF
Ribbon Cartridge	Install ribbon in the printer
Ribbon Guide	For guiding ribbon installation on print head
Tractors	For feeding and adjustment of continuous forms
Power Socket	Connects power cord to the printer
Interface	Connects interface cables from the






## Setting Up Printer

Your new printer is easy to install and set up. This chapter tells you how to set up the printer and start printing right away.

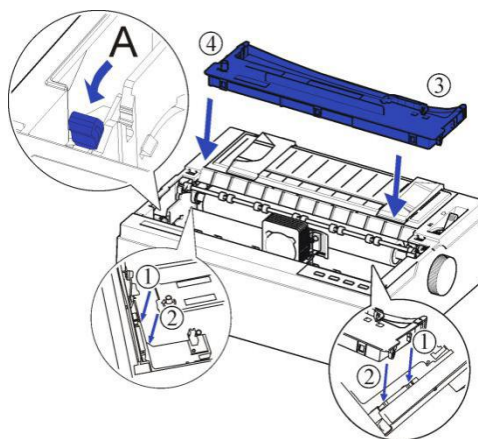
In this chapter, you will learn how to:

- Install Ribbon
- Install the single sheet feeder into the rear of the printer
- Connecting the Interface Cable
- Connecting the Power Supply
- Installing the Windows Driver

**Install Ribbon****Installing the Ribbon cartridge**

 (HOT)	<b>CAUTION &lt;HOT&gt;</b> The print head and metal frame is hot during printing or immediately after printing. Do not touch them until it cools down.
--	---

1. Ensure the power to the printer is off and the print gap lever “A” is set to the furthest open position. Move the carriage to the center of the print platen.
2. Install the recess positions ①-② on the ribbon cassette into the printer mounting.
3. Press the ribbon frame ③ onto the print head.
4. Turn the ribbon knob ④ in clockwise direction until the ribbon fabric is taut. Move the carriage left and right to ensure the carriage and ribbon fabric can move smoothly.
5. Ensure the print gap lever “A” is set to the original position.
6. Close the printer’s cover. When printer is in operation, ensure the printer’s cover is closed to keep the noise level to a minimum.



Notes on Ribbon Cartridge Removal:

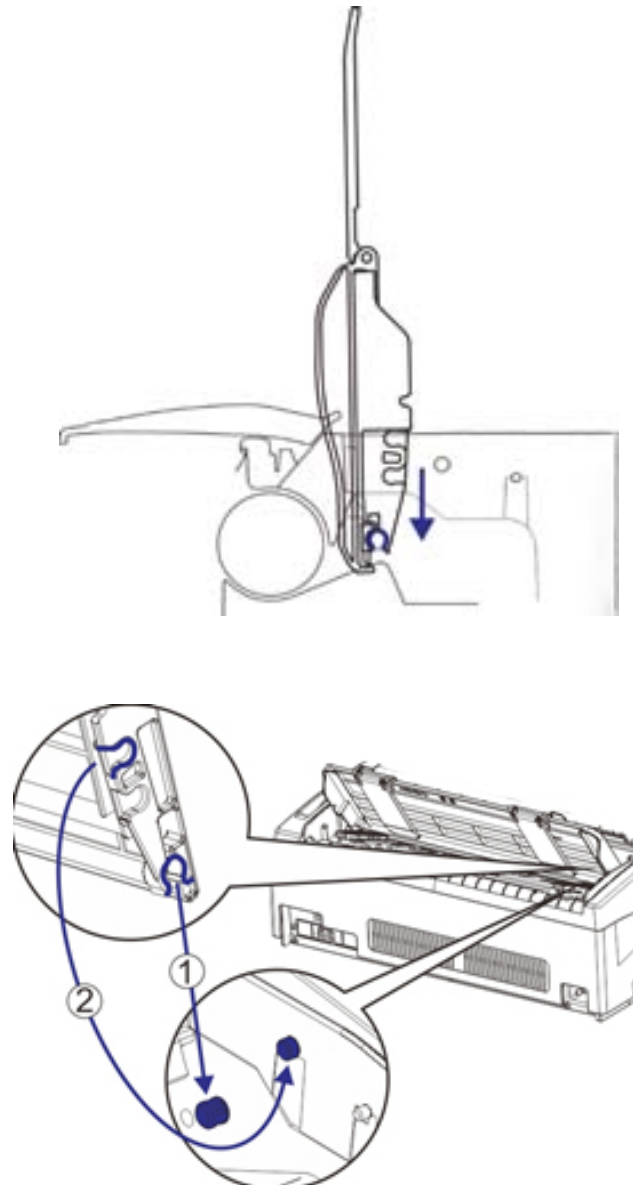
1. Eject any paper loaded in the printer.
2. Turn off the printer power.
3. Open and remove the cover.
4. Set the gap lever to the most open position labeled "RIBBON".
5. Move the carriage to the middle. Be careful not to touch the print head if printing had just been performed, as the print head may be hot.
6. Remove the ribbon frame from the print head.
7. Use fingers to take hold of the handle on the ribbon cartridge firmly, and lift the cartridge upwards to unlatch it. Some force may be needed to unlatch the cartridge.

## Install the single sheet feeder

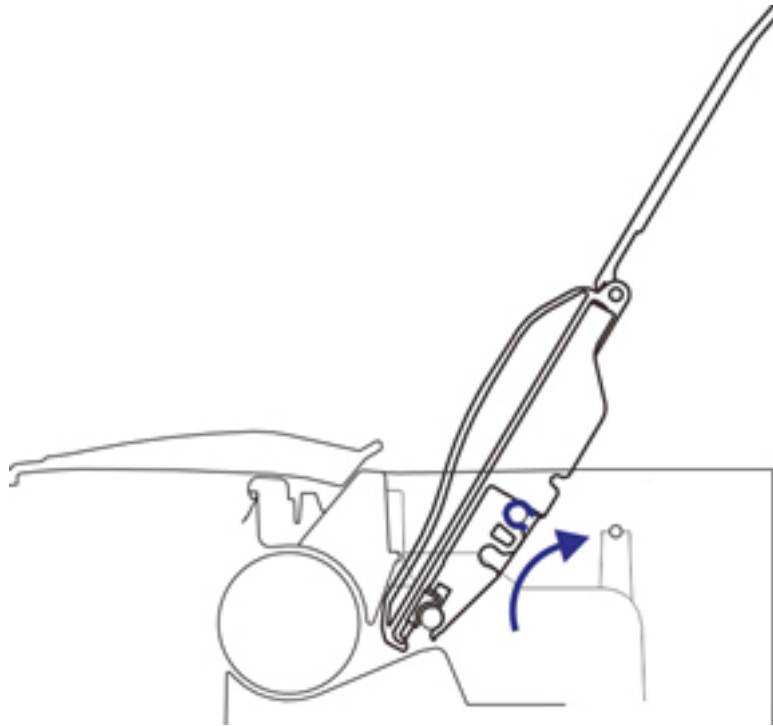
Install the single sheet feeder into the rear of the printer. If you intend to use this paper way, assure having removed the fanfold paper out of the rear tractor paper way by pressing **【Load/Eject】** Key.

Then switch the paper feed lever to Single.

1. As shown in the picture below, unfold the Paper Guides first. Then put the Single Sheet Feeder into its installation position and push it down to latch.



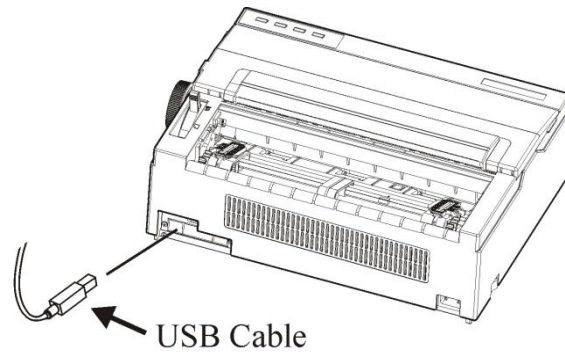
2. Push the Single Sheet Feeder backward to make it latch again.



## Connecting the Interface Cable

The USB port is located at the rear of the printer.

**IMPORTANT:** Make sure the printer and the computer are switched off before connecting or disconnecting the interface cable to prevent electrical damage to the interface ports.



**i** The printer may also be purchased with an additional interface. The additional interface can be one of the followings: Parallel, Serial, Ethernet.

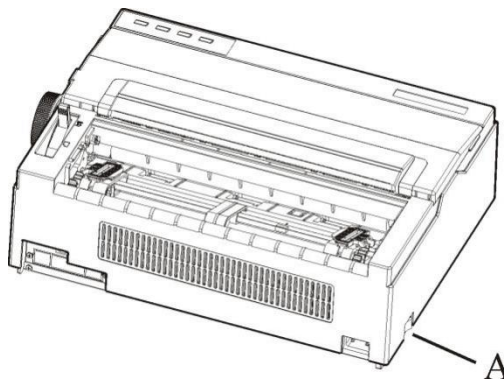
## Connecting the Power Supply

### Checking the printer voltage

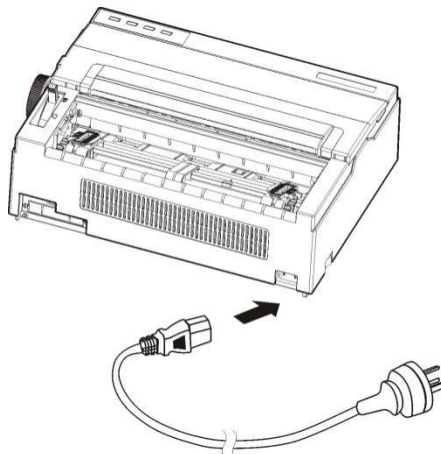
Make sure that the device has been set according to your country's power supply voltage. To do this, check the rating plate at the back of the printer. Contact your dealer if the setting is incorrect.

**i** Never switch on the printer if the voltage setting is incorrect; This may result in electrical damage to the printer.

Make sure that the power switch "A", located to the left side of the printer, is in the "O" (off) position.



Connect the power cord to the power inlet of the printer. Connect the power cord plug to a mains socket. Switch on the printer.



## **Installing the Windows Driver**

A printer driver is required for using the printer in a Windows environment. Special printer drivers are provided with the DL3100 printer.

For information about how to install printer drivers, refer to 'Printer Driver Installation Guide' or Readme.txt of the printer driver to be installed.

- These printer drivers run with DLP24C+ emulation. Be sure to specify DLP24C+ emulation for the printer mode.

- The DL3100 printer driver is a printer driver for monochrome printing. The color data printing result may differ from its print preview or the monochrome data printing result.

Printer Driver Installation Guide can be opened from 'FUJITSU DL Series Software Setup'.





## Paper Installation Guide

The printer can handle either single sheets or continuous forms. Single sheets, also called cut sheets, include envelopes and non-continuous, multipart forms. Continuous forms include labels and multipart forms fed into the printer using the forms tractors. The printer is able to print 1~5 plies multipart paper.

This chapter explains how your printer uses paper.

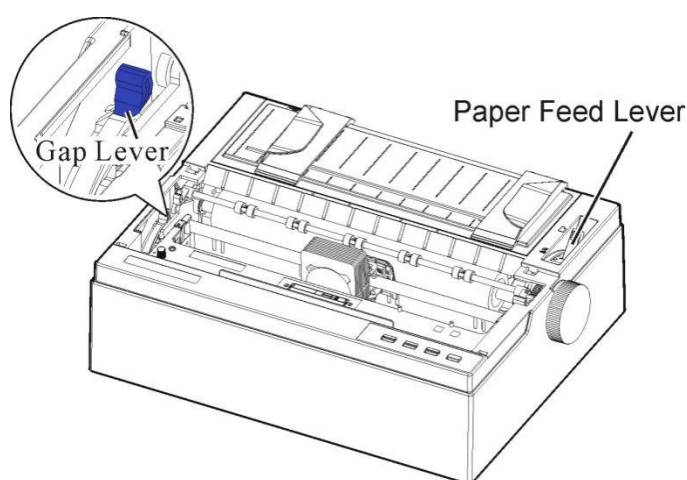
Topics covered are:

- Adjusting the Print Gap Lever
- Friction Feed Handling
- Tractor Feed Handling
- Continuous Paper Placement
- Tips on paper handling

## Adjusting the Print Gap Lever

- i** Remove any paper clip or staple. Do not load paper that has been folded or damaged, wrinkled, or curled.


The print gap lever is on the left side of the printer inside the top cover. Take care to adjust the print gap lever to a suitable position whenever you change the number of copies being printed. Using the wrong print gap may cause print head damage or paper jams.

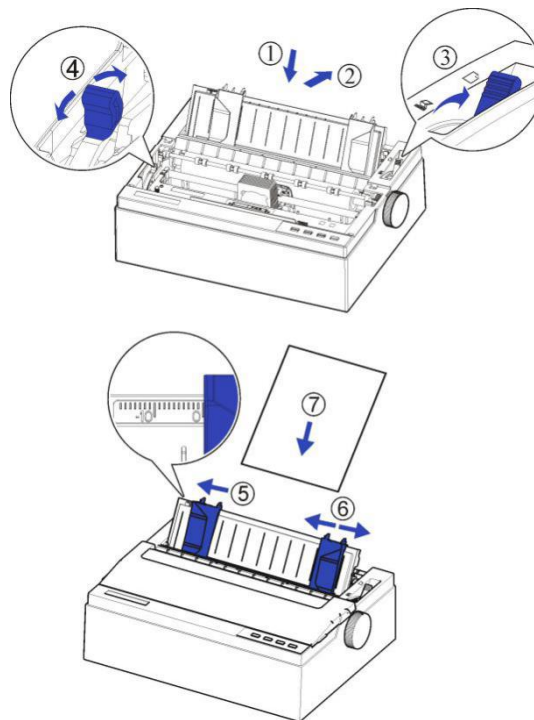


Paper type	Weight g/m <sup>2</sup> / ply	Thickness (mm)	Gap lever position
Single sheet	52~100	0.06~0.12	1P~2P
3-ply	40~52	0.12~0.14	3P~4P
4-ply	40~52	0.17~0.22	4P~5P
5-ply	40~52	0.23~0.27	5P~6P
6-ply	40~52	0.28~0.34	6P~7P
7-ply	40~52	0.35~0.41	7P
Change	---	Above 0.58	RIBBON


## Friction Feed Handling

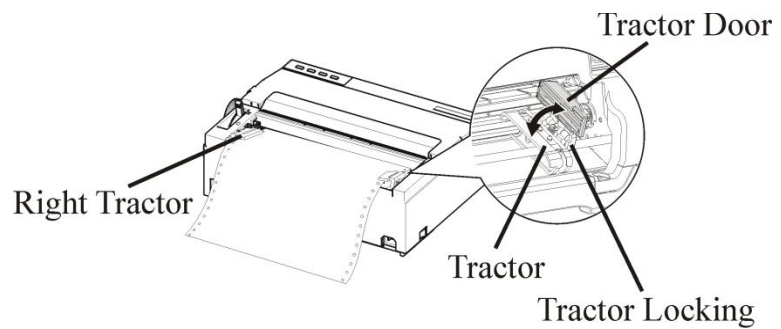
There are 2 paper feed modes: friction feed and tractor feed.

1. Raise the single sheet feeder until it locks into its mounting.
2. Move the paper-feed lever forward to “” for friction feed mode. Make sure that no paper is in the printer when you switch the paper path.
3. Adjust the print gap lever if necessary.
4. Align the left paper guide with the mark on the left of the single sheet feeder.
5. Adjust the right paper guide to the width of the paper used.
6. Insert a sheet of paper. Make sure that the bottom edge of the paper engages snugly with the platen. Please push the paper in manually if the paper does not feed in while the friction roller is running.
7. The paper should advance automatically to the print position. The printer is now ready to print in the online state.



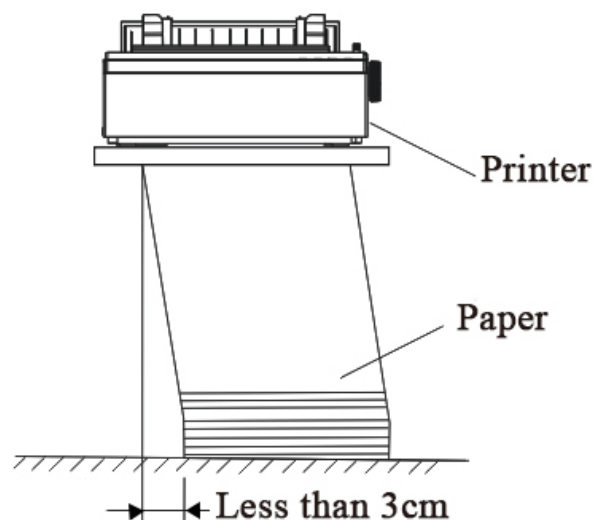
## Tractor Feed Handling

1. Move the paper-feed lever backward to “” for continuous paper position.
2. Adjust the print gap lever if necessary.
3. Raise the tractor doors and fit the first 3 paper holes onto the left tractor pins. Close the left tractor door. In the same way, install the paper on the right tractor.
4. Adjust the right tractor to the width of the paper until the paper is flat. Do not stretch the paper too taut. Push the right lock lever down to secure the right tractor in place.
5. Press the **【Load/Eject】** key to load the paper to the starting print position. The printer is now ready to print in the online state.



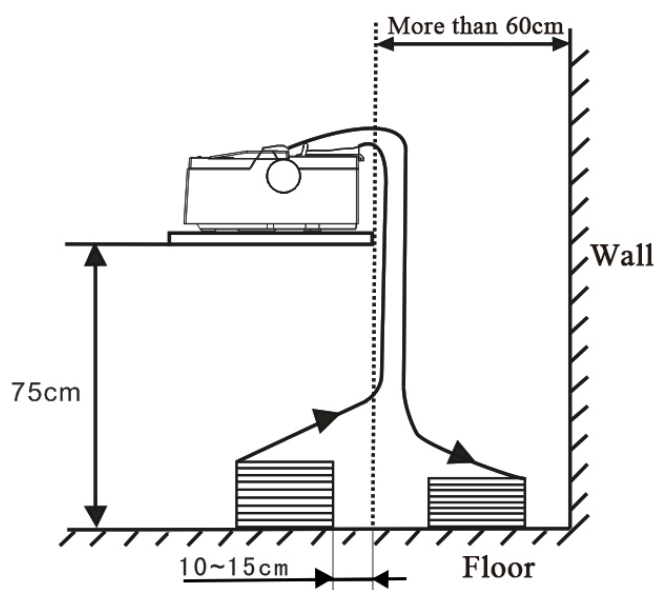
## Continuous Paper Placement

1. Place the printer on a solid base. The minimum suitable height of the solid base is 75 cm.
2. Left and right positioning: The direction of continuous paper should be parallel with the paper guide. The tolerance should be less than 3 cm.



**Attention:** If you want to use continuous paper, make sure that the Cut Sheet Guide is not standing. If the Cut Sheet Guide is in state, it may hinder the continuous paper feed and cause a paper jam.

3. Front and back positioning: The distance between the rear of printer and the wall should be more than 60cm. To avoid paper jam, the distance between the continuous paper and the edge of desk should be 10~15 cm.



## **TIPS ON PAPER HANDLING**

### **General Tips**

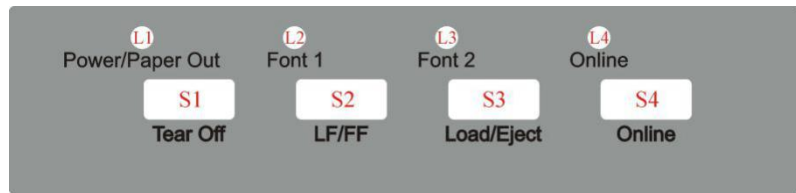
- Use high-quality paper. Do not use paper that is wrinkled or curled at the edges.
- Do not use paper with staples or metal parts.
- Do not use paper with unpredictable variations in thickness, such as paper with partial multilayers, paper with embossed printing, and labels with the backing sheet exposed.
- Store paper in a clean, dry environment.

# 4

## Control Panel Operation

This chapter describes the following everyday printing operations:

- LED Indicators
- Control Panel Keys
- Panel Operation
- Online State
- Setup State
- Power-on State



There are 4 switches S1~S4 and 4 LEDs L1~L4. The meaning and application of each switch and LED are described below pages.



**LED Indicators**

LED	Function
L1	Power/Paper Out
L2	Font1
L3	Font2
L4	Online

**1. “Power/Paper Out” LED:**

On: Power on

Flashing: Paper out, Energy saving mode。

Flashing + buzzer: Paper jam

**2. Font 1 and Font 2” LED**

Flashing together: Indicates continuous paper is at tear-off position; otherwise it indicates the selected font. See table 4.1.

table 4.1

Font Selection Label	L2 State	L3 State
Tear Off	Blink	Blink
Draft	Off	Off
Draft Condensed	Off	On
Roman	Off	Blink
Sans Serif	On	Off
Courier	On	On
Prestige	On	Blink
Script	Blink	Off
Others (see Menu setting)	Blink	On

**3. “Online” LED:**

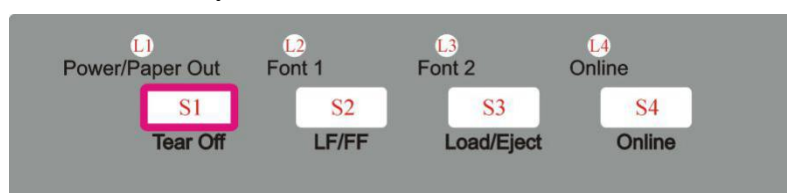
On: The printer is in online state and ready to receive data from the computer.

Off: The printer is in offline state and cannot receive data.

## Control Panel Keys

Switch	Label
S1	Tear off
S2	LF/FF
S3	Load/Eject
S4	Online

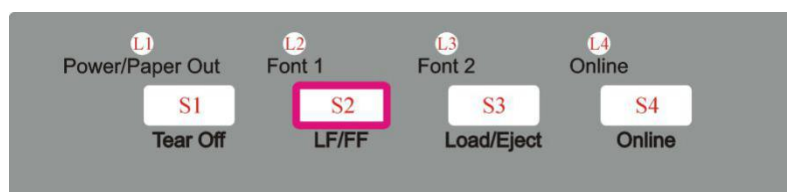
### 1. “Tear Off” Key:



This is valid for tractor mode only. It feeds the form to the tear-off position. After tearing off the form, printing starts on the next TOF by pressing any key or receiving print data from the host.

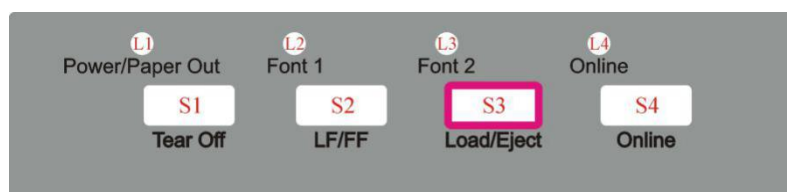
When online, this key will move any loaded continuous paper to the tear-off position. When in setup state, this key is used to select the desired font.

### 2. “LF/FF” Key:



Pressing this key will feed paper one line forward. By holding down this key, the printer will initially feed a few lines, then perform a form feed (continuous paper mode) or eject the form (single sheet mode).

### 3. “Load/Eject” Key:



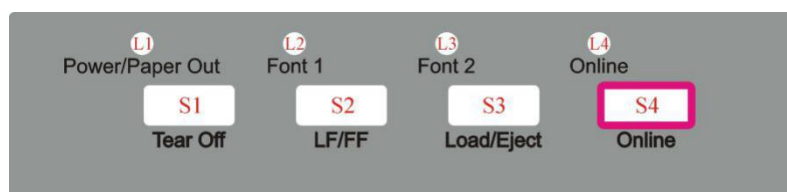
Load: Automatically loads the paper (according to path selection) when no paper is on the platen.

Eject: For rear tractor, it retracts the form from the platen to

allow users to install cut sheets. (NOTE: Users have to toggle the path selection lever.) For cut sheets, it ejects the form on the platen.

When paper is loaded, pressing this key will eject the paper (single sheet mode) or park the paper (continuous paper mode). When paper is not loaded, pressing this key will load the paper to the starting print position.

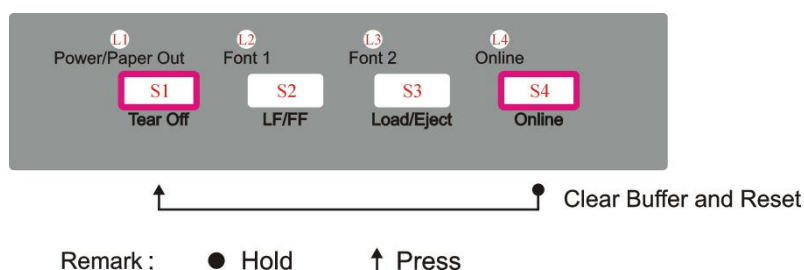
#### 4. "Online" Key:



Toggles between Online and Offline states.

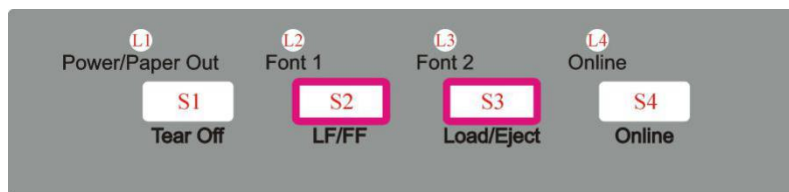
This key switches the printer between online and offline states. Printing is stopped when the printer is switched to offline state. When printer is switched to online state again, printing will resume.

#### 5. "Clear Buffer and Reset" Key:



In offline state, press switch S1 while holding S4.  
Clears the print buffer. beeps once upon completion  
Pressing S1 longer initializes the printer to default settings.  
Beeps 3 times upon completion.

#### 6. "Clear Life Time" Key:



Life time initialization

Remark : ● Hold    ↑ Press

Press the [skip line] + [feeding paper/return paper] enter the counter initialization mode, and the font light1 and font light2 alternate.

On this mode, press the [tearing paper] button and then the buzzer honks, the power supply life will be initialized.

Press the [skip line] button and then the buzzer honks, the device server life will be initialized.

Press the [feeding paper/return paper] and then the buzzer honks, the print platen server life will be initialized.

Press the [Online] button and then the buzzer honks, the ribbon server life will be initialized.

Press the [skip line] + [feeding paper/return paper] at the same time and then the buzzer honks, the print head server life will be initialized.

Press the [tearing paper] + [Online] at the same time and then the buzzer honks, the server life of all the printer parts will be initialized.

Press the [tearing paper] + [skip line] + [feeding paper/return paper] + {Online} at the same time. End counter initialization function and the printer will restart

## Panel Operation

There are 3 states of operation: Online, Setup and Power On.

In the Online state, the keys provide the following functions: Go to Tear Off position, Line Feed/Form Feed, Load/Eject, Clear Buffer and switch to offline state for accessing to Setup state.

In the Setup state, the keys provide font selection, micro feed and quiet mode printing..

To enter the Power On state, the user holds down a key or a combination of keys while powering up the printer. This state provides the following functions: Hex-dump, Main Menu setup, print Main Menu, print lift-time information, Customize Form.

The followings describe the 3 states in details.

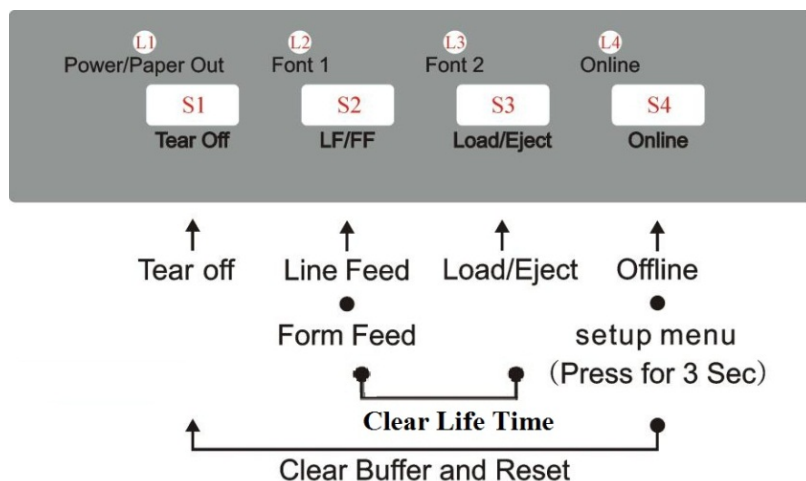
Legend:

[A] = press and hold switch A

{B} = press and then release switch B

[A]+ {B} = press switch B while holding A

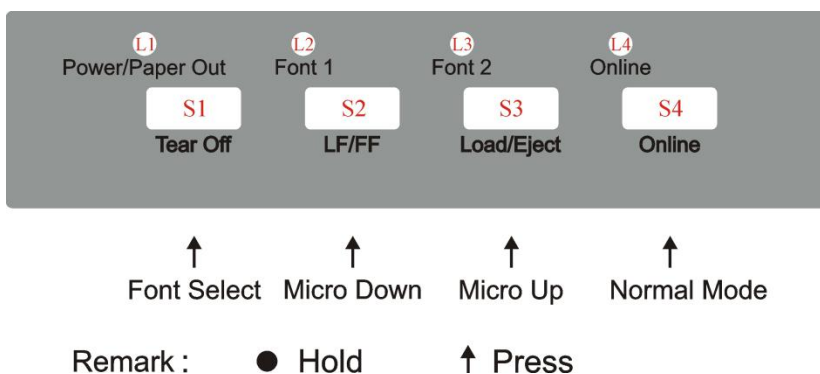
## Online State



Remark : ● Hold      ↑ Press

Function Name	Switch Operation	LED	Function Description
Tear Off	{S1}	L2, L3 flash	This is valid for tractor mode only. It feeds the form to the tear-off position. After tearing off the form, printing starts on the next TOF by pressing any key or receiving print data from the host.
LF	{S2}	-	Feeds one line with every press of S2
FF	[S2]	-	Pressing this key will feed paper one line forward. By holding down this key, the printer will initially feed a few lines, then perform a form feed (continuous paper mode) or eject the form (single sheet mode).
Load/Eject	{S3}	-	Load: Automatically loads the paper (according to path selection) when no paper is on the platen. Eject: For rear tractor, it retracts the form from the platen to allow users to install cut sheets. (NOTE: Users have to toggle the path selection lever.) For cut sheets, it ejects the form on the platen.
Online	{S4}	L4	Toggles between Online and Offline states.
Setup State	[S4]	L4	Hold the S4 key for 3 seconds. Toggles to 3s Setup state. Indicated by flashing L4.
Clear Buffer and Reset	[S4]+{S1}	--	Clears the print buffer. Beeps once upon completion. Pressing S1 longer initializes the printer to default settings. Beeps 3 times upon completion.
Clear Life Time	[S2]+[S3]	L2, L3 flash alternate	The server life of all the printer parts will be initialized.

## Setup State

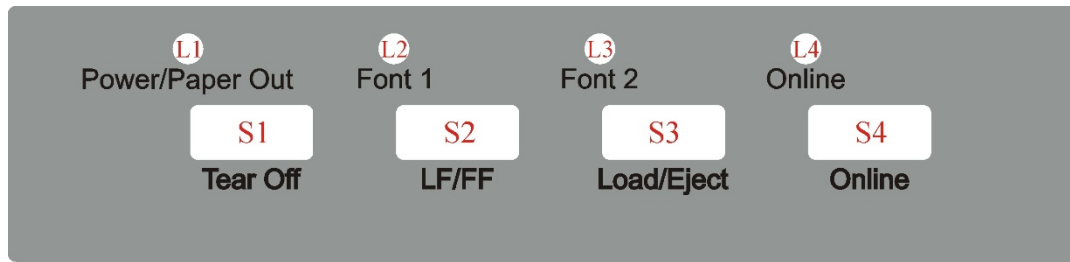


### 3 seconds setup state

Function Name	Switch Operation	LED	Function Description
Online state	{S4}	L4	Toggling to the Online state will cause the printer to go into a ready-to-print state. Any changes made in Setup state will be saved permanently. Lighting up L4 indicates the Online state.
Micro UP	{S3}	--	Press S3 to micro feed paper up.
Micro Down	{S2}	--	Press S2 to micro feed paper down.
Font Select	{S1}	L2, L3	Refer to Table 4.1 for details.

### 2 Seconds setup state

Hold the S3 key for 2 seconds, toggles to 2s Setup state. Indicated by flashing L1. In the 2 seconds setup state, Press S1 (Tearoff button) can choose the silent mode, the buzzer will call, you can set the automatic silent mode, print once, print twice, and print thrice.



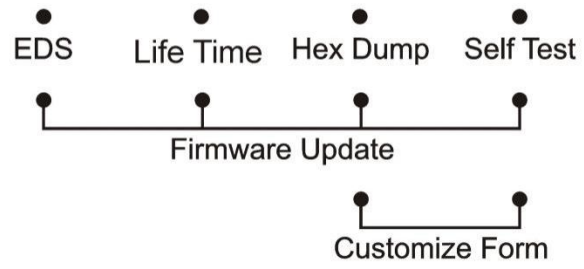
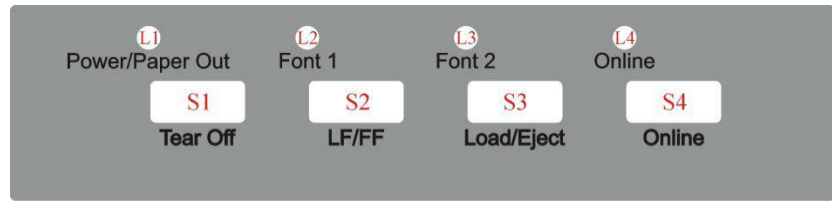
↑  
Quiet Mode

Remark :     ● Hold     ↑ Press

Function Name	Switch Operation	LED	Function Description
Automatically determines the number of prints based on the segmentation mode	{S1}	--	Press S1(Tearoff button)can choose the silent mode, the buzzer will call, you can set the automatic silent mode,print once,print twice, and print thrice.
print once (Segmentation is invalid)	{S1}	--	
print twice (Parity	{S1}	--	
print thrice (8 dots/group)	{S1}	--	



## Power-on State



Remark : ● Hold      ↑ Press

<b>Function Name</b>	<b>Switch Operation</b>	<b>LED</b>	<b>Function Description</b>
Hex Dump	[S3]	-	Beeps once to indicate going into hex dump mode: Prints data from host in hexadecimal representation.  Pressing S4 suspends the printing.  When the hex dump has finished, pressing S4 forces the printing of the last line of data, as any line termination control code from host has no function.  Switch off the power to terminate the hex dump.
Menu Setup / EDS	[S1]	-	Allows for Main Menu setting changes. Please read the instructions printed on how to change settings when this mode is activated. (EDS: Electronic DIP Switch)
Self Test / Status Page	[S4]	-	Prints the printer settings and self-test pattern.
Customize Form	[S3] + [S4]		To customize the margins and tear-off position, please refer Chapter 6 for details.
Life Time	[S2]		Printing the information of consumables



## Printer Setting Changes

In order to meet specific print requirements, the printer configurations may be changed as follows: Hold down the **【Tear off】** key while powering on the printer and then release the key when the print head starts to move. The printer will enter Main Menu setup state. Follow the instructions printed on how to make setting changes. When a new setting is saved, it is retained after the printer has been powered off.

The Printer Settings menu contains 8 sub-menus: System Setup, Paper Setup, Interface Setup, Character Setup, Other Setup, Bi-directional Alignment, BlackMark Mode, Restore Factory Defaults.

This chapter describes the following operations:

- System Setup
- Paper Setup
- Interface Setup
- Character Setup
- Other Setup
- Black Mark Parameters
- Bidirectional Alignment

<b>System Setup</b>	
---------------------	--

<b>System setup</b>	<b>Valid Settings</b>	<b>Function</b>
Language	<i>English</i> , Deutsch, Россия, Italiano, Français, Español, Türkçe, Português	Allows user to select one of the following languages: English, German, Russian, Italian, French, Spanish and Turkish, Portuguese
Emulation	<i>ESC/P2</i> , IBM	Selects the printer emulation. This should be the same as the host printer driver.
Auto CR (ESC/P2)	No, <i>Yes</i>	Yes: LF = LF+CR; No: LF = LF (Applies to ESC/P2 emulation only)
Auto CR (IBM)	No, Yes	Yes: LF = LF+CR; No: LF = LF (Applies to IBM emulation only)
Auto LF	No, Yes	Yes: CR = CR+LF; No: CR = CR
Print Dir	<i>Bi-Dir</i> , Uni-Dir	Bi-Dir: Graphics and text are printed in both directions, resulting in faster printing speed. Uni-Dir: Graphics and text are printed from left to right, resulting in higher precision.
Form Line	Disable, <i>Enabled</i> , Dashed, NoPrint	Disable: Grids in block graphics are disjoint, but grids by graphics commands or slanted grids (block graphics) are not affected. Enabled: Vertical grids are continuous in all line spacing. Dashed: Horizontal grids are printed in dotted lines and vertical grids are not affected. NoPrint: Grids are not printed. But nested grids (by graphical commands) above 2 levels deep are printed.
Zero	<i>0</i> , Ø	0: No-slashed Zero 0. Ø: Slashed Zero Ø.

System setup	Valid Settings	Function
LQ Text Quality	<i>LQ</i> , NLQ	The “LQ Text Quality” parameter is invalid when Font is set to Draft.  When Font is set to another font other Draft, the “LQ Text Quality” parameter will determine whether to print in NLQ mode or LQ mode.
Change Pin#1:	<i>No</i> , 1, 2, 3, 4, 5, 6, 7, 8, 9, 10, 11, 12, 13, 14, 15, 16, 17, 18, 19, 20, 21, 22, 23, 24	Defines the first broken / worn out pin. This pin will be substituted by an adjacent pin in the second pass printing. No: Not to substitution of the worn out pin.
Change Pin #2	<i>No</i> , 1, 2, 3, 4, 5, 6, 7, 8, 9, 10, 11, 12, 13, 14, 15, 16, 17, 18, 19, 20, 21, 22, 23, 24	Defines the first broken / worn out pin. This pin will be substituted by an adjacent pin in the second pass printing. No: Not to substitution of the worn out pin.
Power-Saving	OFF, 1min, 2min, <i>5min</i> , 10min	Defines the idle period before the printer gets into Save-energy Mode. OFF: The printer never goes into Save-energy Mode.
Print Mode	Performance, <i>Standard</i> , <i>Speed</i>	Performance: print quality is best, but print speed is relatively slow. Standard: print quality and print speed can meet the requirement of general users. Speed: print speed is fastest, but print quality is relatively decreased
MultiPaper	Disable, <i>Standard</i> , Enhance	Disable: The printer ignores the determination of paper thickness sensor; it keeps the impact force and the print speed unchanged. Standard: The printer increases the impact force and reduces the print speed. Enhance: The printer prints with even stronger impact force and slower print speed.
Impact	<i>Normal</i> , Heavy	Normal: The print speed is faster causing head hot easily and the impact force is weaker. Heavy: The print speed is reduced, resulting better thermal performance and copy capability.
Graphic Speed	<i>Normal</i> , Fast, Ultra	Selects different print quality and print speed for graphic.

## Paper Setup

Paper Setup	Valid Settings	Function
Single FormLen	2.5, 11/4, 3, 3.5, 11/3, 4, 5, 5.5, 6, 7, 8, 9, 10, <b>II</b> , 12, 14, A4, B4, Define	Sets the page length in inches for single paper
Single Top	-1, 0, 1, <b>I.8</b> , 2, 3, 4, 5, 6, 7, 8, 9, 10, 11, 12, 13, 14, 15, 16, 17, 18, 19, 20, 21, 22, 23, 24, 25, 26, 27, 28, 29, 30, 31, 32, 33, 34, 35, 36, 37, 38, 39, 40, 41, 42, 43, 44, 45, 46, 47, 48, 49, 50, 51, 52, 53, 54, 55, 56, 57, 58, 59, 60, 61, 62, 63, 64, 65, 66	Defines the separation in 1/6 inches from the top edge of a single paper to the first print line.
Single Bottom	<b>0</b> , 1/6, 1/4, 1/3, 1/2, 2/3, 3/4, 1, Define	Defines the separation in inches from the bottom edge of a single paper to the last print line.
Single Left Mrg (1/180inch)	<b>0</b> , 1, 2, 3, 4, 5, 6, 7, 8, 9, 10, 11, 12, 13, 14, 15, 16, 17, 18, 19, 20	Compensation value added to Single Left Mrg.
Single Top Mrg (1/180inch)	<b>0</b> , 1, 2, 3, 4, 5, 6, 7, 8, 9, 10, 11, 12, 13, 14, 15, 16, 17, 18, 19, 20, 21, 22, 23, 24, 25, 26, 27, 28	Compensation value added to Single Top.
Single Auto Load	Disable, <b>0.5sec</b> , 1sec, 1.5sec, 2sec	Defines the setting time before a single sheet is loaded. Disable: Press the <b>【Load/Eject】</b> key manually to load a single sheet.
Fanfold FormLen	2.5, 11/4, 3, 3.5, 11/3, 4, 5, 5.5, 6, 7, 8, 9, 10, <b>II</b> , 12, 14, A4, B4, Define	Sets the Page Length for fanfold.
Fanfold Top	-1, 0, 1, <b>I.8</b> , 2, 3, 4, 5, 6, 7, 8, 9, 10, 11, 12, 13, 14, 15, 16, 17, 18, 19, 20, 21, 22, 23, 24, 25, 26, 27, 28, 29, 30, 31, 32, 33, 34, 35, 36, 37, 38, 39, 40, 41, 42, 43, 44, 45, 46, 47, 48, 49, 50, 51, 52, 53, 54, 55, 56, 57, 58, 59, 60, 61, 62, 63, 64, 65, 66	Defines the separation in 1/6 inches from the top edge of a fanfold to the first print line.
Fanfold Bottom	<b>0</b> , 1/6, 1/4, 1/3, 1/2, 2/3, 3/4, 1, Define	Define the separation in inches from the bottom edge of a fanfold to the last print line.

Paper Setup	Valid Settings	Function
Fanfold Left Mrg (1/180inch)	<b>0</b> , 1, 2, 3, 4, 5, 6, 7, 8,9,10,11,12,13,14,15,16,17,18,19,20	Compensation value added to Fanfold Left Mrg.
Fanfold Top Mrg (1/180inch)	<b>0</b> , 1, 2, 3, 4, 5, 6, 7, 8,9,10,11,12,13,14,15,16,17,18,19,20,21,22,23,24,25,26,27,28	Compensation value added to Fanfold Top.
Fanfold Auto Load	No, <b>Yes</b>	Yes: The printer loads paper to the first printing position automatically when using fanfold. No: Press the <b>【Load/Eject】</b> key to load paper when using fanfold.
Skip	<b>No</b> , Yes	Skips printing on perforation area. Only valid to fanfold. Yes: Blank lines between 2 pages. No: No blank lines between 2 pages.
Tear	<b>Auto, Manual, View, Auto@FF</b>	Auto: Form Feed command from the host causes the printer to advance the paper to the tear-off position. Printing resumes on the TOF on next page. Manual: After the completion of a print job, press a panel key to advance the paper to the tear-off position. View: No incoming print data in 1~2 seconds after printing completed causes the printer to advance the paper by 2 lines. Printing resumes 2 lines below the torn edge. Auto@FF: a formfeed command is necessary to auto feed the form to tear position.
Paper End Detect	<b>No</b> , <b>Yes</b>	Yes: The printer stops printing if out of paper. No: The printer continues printing even out of paper.
Compress	<b>Disable, 11:8, 13.6:8, Auto</b>	Disable: No compression on the print line exceeding the printable width. Auto: The print squeezes an over-width print line (not exceeding 22" in contents) to the printable width. Other Compression Ratio: For example, a ratio of 11: 8 commands the printer to take this line compression ratio.

Paper Setup	Valid Settings	Function
		**Remark: The compression is disabled after printer reset or loading a new page.
PaperCheck	<i>Invalid, Anti-jam, Anti-skew, Valid</i>	Determines if the cut sheet is jammed or skew. Invalid: Disables the detection of both. Anti-jam: Detect paper jam only. Anti-Skew: Detect paper skew only. Valid: Enables the detection of both.
Buzzer	<i>No, Yes</i>	No: Buzzer does not sound if out of paper. Yes: Buzzer sounds if out of paper.
Tear Position	<i>Invalid, Detect, Record</i>	This printer saves the tear-off position before switched off. After switched on, the printer if any change in the tear-off position and determines the start printing position. Invalid: Printing starts from previously switched off position. Detect: If the tear-off position is unchanged or smaller, printing starts from TOF position. If larger, printing starts from previously switched off position. Record: If the tear-off position is unchanged, printing starts from TOF position. If changed, printing starts from previously switched off position.
APW (Auto Paper Width detection)	<i>No, Yes</i>	Yes: Measures the width of the paper automatically after loading the paper. No: Disables page width measurement. NOTE: The printer is equipped with a page width sensor called "APW". If the sensor is defective, the "APW" setting will not appear in the menu; The <b>【Power】</b> LED blinks, <b>【Font 1】</b> and <b>【Font 2】</b> have no change, <b>【Online】</b> LED is off.
BlackMark	<i>No, Yes</i>	No: Disables black mark sensor. Yes: Enables black mark sensor. When "Yes" and online, pressing the <b>【Tear Off】</b> key advances the paper to the tear-off position.



Paper Setup	Valid Settings	Function
		BlackMark commands: (also see section 5.7) <ul style="list-style-type: none"> <li>• 1D 0C: Feeds paper to the print position designated by the black mark. Advance the paper to the tear-off position after printing.</li> <li>• 1C 28 4C 03 00 42 m: m = 0: feeds paper to the print position designated by the black mark. m = 1: feeds paper to the black mark tear-off position.</li> </ul>
Width	<b>8.0inch, PaperWidth</b>	8.0inch: The maximum print width is 80 columns of 10cpi PICA characters. Paper Width: Sets the detected page width as print width. Enabling APW is required.
FormLen MicroAdj	<b>-20 -19 -18 -17 -16 -15 -14 -13 -12 -11 -10 -9 -8 -7 -6 -5 -4 -3 -2 -1 0 +1 +2 +3 +4 +5 +6 +7 +8 +9 +10 +11 +12 +13 +14 +15 +16 +17 +18 +19 +20</b>	Fine tunes the form-length by n/360" (0.07mm) based on the default value. (Valid for single papers and fanfolds.)
Bail mode	<b>Invalid, Standard, Special</b>	The bail mode presses the paper against the print platen during printing, but it is released for paper loading. Invalid: If you uninstall the lever or want to disable the function, set this setting to "invalid". Standard: Release the lever for paper loading and lower the lever to press the paper against the platen during printing. Special: When the paper is in tear-off position, after the printer received printing data, the printer will judge whether tear-off was implemented first. If tear-off was implemented and printing position is in lever area, then the printer will press the lever; If tear-off was not implemented, the printer will not press the lever.
Roll Paper	<b>No, Yes</b>	In friction mode, <b>【LF/FF】</b> will not eject the paper and feed to next page. (Assume roll paper)

## Interface Setup

Interface setup	Valid Settings	Function
PnP	No, <i>Yes</i>	No: Disables plug and play for USB Yes: Enables plug and play.
USB ID	<i>No</i> , Yes	No: Disables USB ID. Yes: Enables USB ID

## Character Setup

Character setup	Valid Settings	Function
Character Table	Italic, <i>Graphic</i>	Italic: Selects standard character sets. Please refer to UG for details. Graphic: Selects IBM character sets. Please refer to UG for details.
Character Group	Group 1, <i>Group 2</i>	The interpretation of ASCII codes between 0x80~0x9F: Group 1: as control codes. Group 1: as printable characters.
Int'l Char Set	<i>USA</i> , France, Germany, UK, DenmarkI, Sweden, Italy, SpainI, Japan, Norway, DenmarkII, Spain II, LatinAm, Denmark, China	International character set selections
HS-Draft	No, <i>Yes</i>	Yes: Prints High Speed Draft when Draft font is selected.
Font	Daft, DraftCond, <i>Roman</i> , Sans Serif, Courier, Prestige, Script, OCR B, OCR A, Orator, Gothic, Souvenir	Selects the font.
Pitch (dpi)	<i>10</i> , 12, 15, 16.6, 17.1, 20, 24, PS	Controls the characters per inch setting.

Code Page	<p><i>CP437</i>, CP737,  CP850, CP851,  CP852, CP857,  CP858, CP860,  CP861,CP863,  CP864, Extend864,  CP865, CP866,  Bulgaria866,  CP1250, CP1251,  CP1252, CP1253,  CP1254, 8859_1,  8859_1SAP, 8859_2,  8859_5, 8859_7,  8859_9, 8859_15,  BRASCII, Abicomp,  Roman8,  CoaxTwinax,  New437,  NewDig850,  OldCode860,  Flarro863,  Hebrew865,  CP1257,  Ukraine866,  Kazakhst866,  Kamenicky,  Mazovia, Baltic775,  CROASCII, Farsi,  Urdu, GreekDEC,  ELOT928,  UK_ASCII,  US_ASCII, Swedish,  German, Portuguese,  French, Italian,  Norwegian, Spanish,  SiemensTurk,  DECTurkish</p>	Code page selections
15cpi Style	<i>Small</i> , Normal	Sets the height for 15CPI character. Small: prints in 1/8" height Normal: prints in full height
AGM (IBM)	<i>No</i> , Yes	Activates or deactivates the AGM (Alternative Graphics Mode) mode in IBM emulation

---

**Other Setup**

<b>Other setup</b>	<b>Valid Settings</b>	<b>Function</b>
Form Length Ctrl	No, <i>Yes</i>	No: Form length commands are invalid in neither of the emulation. Yes: Form length commands are valid in either of the emulations.
Print Speed Ctrl	No, <i>Yes</i>	No: Print speed commands are invalid in neither of the emulation. Yes: Print speed commands are valid in either of the emulations.
Pitch Ctrl	No, <i>Yes</i>	No: Ignores CPI commands Yes: CPI commands are valid
Font Ctrl	No, <i>Yes</i>	No: Ignores font select commands Yes: font select commands are valid

## German (Deutsch)

Systemeinstellung	Gültige Werte
Sprache	<i>English</i> , deutsch, Россия, Italiano, Français, Español, Türkçe, Português
Emulation	<i>ESC/P2</i> , IBM
Auto CR (ESC/P2)	Nein, <i>Ja</i>
Auto CR (IBM)	<i>Nein</i> , Ja
Auto LF	<i>Nein</i> , Ja
Druck Dir	<i>Bi-Dir</i> , Uni-Dir
Tabellenlinien	Gestrichelt, <i>Verbunden</i> , Gepunktet, Deaktiviert
Null	<i>0</i> , Ø
Textqualität	<i>LQ</i> , NLQ
Ersetze 1. Nadel	<i>No</i> , 1, 2, 3, 4, 5, 6, 7, 8, 9, 10, 11, 12, 13, 14, 15, 16, 17, 18, 19, 20, 21, 22, 23, 24
Ersetze 2. Nadel	<i>No</i> , 1, 2, 3, 4, 5, 6, 7, 8, 9, 10, 11, 12, 13, 14, 15, 16, 17, 18, 19, 20, 21, 22, 23, 24
Energiesparmodus	Aus, 1min, 2min, <i>5min</i> , 10min
Mehrlagiges Drucken	Ungültig, <i>Standard</i> , Verstärkt
Impact Mode	<i>Normal</i> , Stark
Graphikgeschw.	<i>Normal</i> , Schnell, Ultra

Papier Setup	Gültige Werte
Einzel Länge	2.5, 11/4, 3, 3.5, 11/3, 4, 5, 5.5, 6, 7, 8, 9, 10, <b>II</b> , 12, 14, A4, B4, Definiert
Einzel Ob Rand	0, 1/6, 1/4, <b>I/3</b> , 1/2, 2/3, 3/4, 1, Definiert
Einzel Unt Rand	<b>0</b> , 1/6, 1/4, 1/3, 1/2, 2/3, 3/4, 1, Definiert
Einzel Li Rand	-7, -6, -5, -4, -3, -2, -1, <b>0</b> , 1, 2, 3, 4, 5, 6, 7, Definiert
Einzel Ob Rand Fein	-7, -6, -5, -4, -3, -2, -1, <b>0</b> , 1, 2, 3, 4, 5, 6, 7
Einzel Auto laden	Ungültig, <b>0.5sec</b> , 1sec, 1.5sec, 2sec
Endlos Form länge	2.5, 11/4, 3, 3.5, 11/3, 4, 5, 5.5, 6, 7, 8, 9, 10, <b>II</b> , 12, 14, A4, B4, Definiert
Endlos Ob Rand	0, 1/6, 1/4, <b>I/3</b> , 1/2, 2/3, 3/4, 1, Definiert
Endlos Unt Rand	<b>0</b> , 1/6, 1/4, 1/3, 1/2, 2/3, 3/4, 1, Definiert
Endlos Li Rand	-7, -6, -5, -4, -3, -2, -1, <b>0</b> , 1, 2, 3, 4, 5, 6, 7, Definiert
Endlos Ob Rand Fein	-7, -6, -5, -4, -3, -2, -1, <b>0</b> , 1, 2, 3, 4, 5, 6, 7
Endlos Auto Laden	Nein, <b>Ja</b>
Perforationssprung	<b>Nein</b> , Ja
Abreißen	<b>Auto</b> , Manuelles, Kurz, Auto@FF
Papierendeerkennung	Nein, <b>Ja</b>
Komprimieren	<b>Ungültig</b> , 11: 8, 13.6: 8, Auto
Papierhandhabung	Aus, Anti-Stau, <b>Anti-Schräg</b> , Ein
Summer	Nein, <b>Ja</b>
Abreißposition	Nein, Erkennen, <b>Speichern</b>
APW	<b>Nein</b> , Ja
BlackMark	<b>Nein</b> , Ja
Druckbreite	<b>8.0inch</b> , Papierbreite
FormLäng Fein	-20 -19 -18 -17 -16 -15 -14 -13 -12 -11 -10 -9 -8 -7 -6 -5 -4 -3 -2 -1 <b>0</b> 1 2 3 4 5 6 7 8 9 10 11 12 13 14 15 16 17 18 19 20
Andruckbügelmodus	Ungültig, <b>Standard</b> , Spezial
Rollenpapier	<b>Nein</b> , Ja

Schnittstellen Setup	Gültige Werte
PnP	Nein, <b>Ja</b>
USB ID	<b>Nein</b> , Ja

Zeicheneinstellung	Gültige Werte
Zeichentabelle	Italic, <b>Graphic</b>
PC-Zeichensatz	Gruppe 1, <b>Gruppe 2</b>
Land	<b>USA</b> , Frankreich, Deutschland, U.K., Dänemark I , Schweden, Italien, Spanien II, Spanien II, Lat-Amerika, Dänemark, China
HS-Draft	Nein, <b>Ja</b>
Schriftart	Draft, DraftCond, <b>Roman</b> , Sans Serif, Courier, Prestige, Script, OCR B, OCR A, Orator, Gothic, Souvenir
Laufweite (cpi)	<b>10</b> , 12, 15, 16.6, 17.1, 20, 24, PS

<b>Zeicheneinstellung</b>	<b>Gültige Werte</b>
Zeichensatz	<b>CP437</b> , CP737, CP850, CP851, CP852, CP857, CP858, CP860, CP861, CP863, CP864, Extend864, CP865, CP866, Bulgaria866, CP1250, CP1251, CP1252, CP1253, CP1254, 8859_1, 8859_1SAP, 8859_2, 8859_5, 8859_7, 8859_9, 8859_15, BRASCII, Abicomp, Roman8, CoaxTwinax, New437, NewDig850, OldCode860, Flarro863, Hebrew865, CP1257, Ukraine866, Kazakhst866, Kamenicky, Mazovia, Baltic775, CROASCII, Farsi, Urdu, GreekDEC, ELOT928, UK_ASCII, US_ASCII, Swedish, German, Portuguese, French, Italian, Norwegian, Spanish, SiemensTurk, DECTurkish
15dpi Stil	<b>Schmal</b> , Normal
AGM (IBM)	<b>Nein</b> , Ja

<b>Erweitertes Setup</b>	<b>Gültige Werte</b>
Formularlänge Strg	Nein, <b>Ja</b>
Geschwindigkeit Strg	Nein, <b>Ja</b>
Laufweite Strg	Nein, <b>Ja</b>
Font Strg	Nein, <b>Ja</b>
Uni-dir Strg	<b>Nein</b> , Ja

## Russian (Россия)

обновление системы	Правильные значения
язык	English, Deutsch, <b>Россия</b> , Italiano, Français, Español, Türkçe, Português
Эмуляция	<b>ESC/P2</b> , IBM
Авто CR ( ESC/P2)	НЕТ, <b>ДА</b>
Авто CR (IBM)	<b>НЕТ</b> , ДА
Авто LF	<b>НЕТ</b> , ДА
Направленные печати	<b>однонапрВ</b> , двунапрВ
Контурная линия	отключен, <b>Подключен</b> , пунктирная, безпечати
Ноль	<b>0</b> , Ø
Текст качества	<b>LQ</b> , NLQ
Замена 1. иглы	<b>№</b> , 1, 2, 3, 4, 5, 6, 7, 8, 9, 10, 11, 12, 13, 14, 15, 16, 17, 18, 19, 20, 21, 22, 23, 24
Замена 2. иглы	<b>№</b> , 1, 2, 3, 4, 5, 6, 7, 8, 9, 10, 11, 12, 13, 14, 15, 16, 17, 18, 19, 20, 21, 22, 23, 24
Экономный режим	выключено, 1мин, 2мин, <b>5мин</b> , 10мин
Многослойная печать	недейств, <b>Обычный</b> , усилен
воздействия	<b>Нормально</b> , сильно
Скорость печати	<b>Нормаль</b> , быстро, ультра



Настройка страницы	Правильные значения
Длина форм лист	2.5, 11/4, 3, 3.5, 11/3, 4, 5, 5.5, 6, 7, 8, 9, 10, <b>II</b> , 12, 14, A4, B4, оларделен
Сверху отступ Лист	0, 1/6, 1/4, <b>I/3</b> , 1/2, 2/3, 3/4, 1, оларделен
Снизу отступ Лист	<b>0</b> , 1/6, 1/4, 1/3, 1/2, 2/3, 3/4, 1, оларделен
Слева отступ Лист	-7, -6, -5, -4, -3, -2, -1, <b>0</b> , 1, 2, 3, 4, 5, 6, 7, оларделен
Верх отс. Л. Тонко	-7, -6, -5, -4, -3, -2, -1, <b>0</b> , 1, 2, 3, 4, 5, 6, 7
Автом Загруз Лист	недейств, <b>0.5sec</b> , 1sec, 1.5sec, 2sec
Длина форм Непрер	2.5, 11/4, 3, 3.5, 11/3, 4, 5, 5.5, 6, 7, 8, 9, 10, <b>II</b> , 12, 14, A4, B4, оларделен
Сверху отступ Непрер	0, 1/6, 1/4, <b>I/3</b> , 1/2, 2/3, 3/4, 1, оларделен
Снизу отступ Непрер	<b>0</b> , 1/6, 1/4, 1/3, 1/2, 2/3, 3/4, 1, оларделен
Слева отступ Непрер	-7, -6, -5, -4, -3, -2, -1, <b>0</b> , 1, 2, 3, 4, 5, 6, 7, оларделен
Верх отс. Тонко Непр	-7, -6, -5, -4, -3, -2, -1, <b>0</b> , 1, 2, 3, 4, 5, 6, 7
Автом Загруз Непрер	НЕТ, <b>ДА</b>
Пропуск перфорации	<b>НЕТ</b> , ДА
Отрыв бумаги	<b>АВТО</b> , ручной, короткий, Авто@FF
Олардел конец бумаг	НЕТ, <b>ДА</b>
Сжатие	<b>Недейств</b> , 11: 8, 13.6: 8, Auto
Обращение с бумагой	Лодключен, Анти-застой, Анти-склон, отключен
Сигнал	НЕТ, <b>ДА</b>
Позиции отрыва	Лодключен, оларделение, <b>запись</b>
Олард ширины бумаги черной метки	<b>НЕТ</b> , ДА
Ширина печати	<b>8.0inch</b> , Ширина бумаги
Микролинформ бумаг	-20 -19 -18 -17 -16 -15 -14 -13 -12 -11 -10 -9 -8 -7 -6 -5 -4 -3 -2 -1 <b>0</b> 1 2 3 4 5 6 7 8 9 10 11 12 13 14 15 16 17 18 19 20
Мод.лрижимн.Скоба	Недолустимо, стандарт, Специально
Рулонная бумага	<b>НЕТ</b> , ДА

Настройка интерфейс	Правильные значения
PnP	НЕТ, <b>Да</b>
USB ID	<b>НЕТ</b> , Да

Настройка знаков	Правильные значения
Таблица знаков	Italic, <b>Graphic</b>
Группа символов	Группа I, <b>группа 2</b>
Набор знаков	США, франция, Германия, У.К., Дания, Швеция, итапия, испания, япония, Норвегия, Дания II, испания II, Лат Америка, Данияя, Китай
Bbl с озад	НЕТ, <b>Да</b>

ркоростъ	
----------	--

Настройка знаков	Правильные значения
Шрифт	Draft, DraftCond, <b>Roman</b> , Sans Serif, Courier, Prestige, Script, OCR B, OCR A, Orator, Gothic, Souvenir
Шаг (срi)	<b>10</b> , 12, 15, 16.6, 17.1, 20, 24, PS
Кодовая страница	<b>CP437</b> , CP737, CP850, CP851, CP852, CP857, CP858, CP860, CP861, CP863, CP864, Extend864, CP865, CP866, Bulgaria866, CP1250, CP1251, CP1252, CP1253, CP1254, 8859_1, 8859_1SAP, 8859_2, 8859_5, 8859_7, 8859_9, 8859_15, BRASCII, Abicomp, Roman8, CoaxTwinax, New437, NewDig850, OldCode860, Flarro863, Hebrew865, CP1257, Ukraine866, Kazakhst866, Kamenicky, Mazovia, Baltic775, CROASCII, Farsi, Urdu, GreekDEC, ELOT928, UK_ASCII, US_ASCII, Swedish, German, Portuguese, French, Italian, Norwegian, Spanish, SiemensTurk, DECTurkish
Способ печати 15 срi	<b>Менкий</b> , Обычный
AGM (IBM)	<b>НЕТ</b> , Да

Другие настройки	Правильные значения
длина формуляр Ctrl	НЕТ, <b>Да</b>
скорости Ctrl	НЕТ, <b>Да</b>
Шаг Ctrl	НЕТ, <b>Да</b>
Шрифт Ctrl	НЕТ, <b>Да</b>
однонаправленной Ctrl	<b>НЕТ</b> , Да

**Italian (Italiano)**

Setup sistema	Impostazioni Valide
Linguaggio	<i>English</i> , Deutsch, Россия, Italiano, Français, Español, Türkçe, Português
Emulazione	<i>ESC/P2</i> , IBM
Auto CR (ESC/P2)	No, <i>Si</i>
Auto CR (IBM)	<i>No</i> , Si
Auto LF	<i>No</i> , Si
Direz.Stampa	<i>Bi-Dir</i> , Uni-Dir
Linee Formato	Disconnessa, <i>Connessa</i> , riga aghi, Non stampa
Zero	<i>0</i> , Ø
Qualità di testo	<i>LQ</i> , NLQ
Primo ago rotto	<i>No</i> , 1, 2, 3, 4, 5, 6, 7, 8, 9, 10, 11, 12, 13, 14, 15, 16, 17, 18, 19, 20, 21, 22, 23, 24
Secondo ago rotto	<i>No</i> , 1, 2, 3, 4, 5, 6, 7, 8, 9, 10, 11, 12, 13, 14, 15, 16, 17, 18, 19, 20, 21, 22, 23, 24
Risparmio Energia	OFF, 1min, 2min, <i>5min</i> , 10min
Stampa multicopia	Non valido, <i>Copia STD</i> , più impatto
Modo Impatto	<i>Normale</i> , Pesante
Veloc. Grafica	<i>Normale</i> , Veloce, Ultra

Imposta carta	Impostazioni Valide
Lunghezza Foglio	2.5, 11/4, 3, 3.5, 11/3, 4, 5, 5.5, 6, 7, 8, 9, 10, <i>11</i> , 12, 14, A4, B4, Definito
Margine Sup. Foglio	0, 1/6, 1/4, <i>1/3</i> , 1/2, 2/3, 3/4, 1, Definito
Margine Infer. Foglio	<i>0</i> , 1/6, 1/4, 1/3, 1/2, 2/3, 3/4, 1, Definito
Regola foglio a SX	-7, -6, -5, -4, -3, -2, -1, <i>0</i> , 1, 2, 3, 4, 5, 6, 7, Definito
Regola Sup. Foglio	-7, -6, -5, -4, -3, -2, -1, <i>0</i> , 1, 2, 3, 4, 5, 6, 7
Autocarica foglio	Non valido, <i>0.5sec</i> , 1sec, 1.5sec, 2sec
Lungh. Mod. Continuo	2.5, 11/4, 3, 3.5, 11/3, 4, 5, 5.5, 6, 7, 8, 9, 10, <i>11</i> , 12, 14, A4, B4, Definito
Margine Superiore	0, 1/6, 1/4, <i>1/3</i> , 1/2, 2/3, 3/4, 1, Definito
Mar. Inf. Continuo	<i>0</i> , 1/6, 1/4, 1/3, 1/2, 2/3, 3/4, 1, Definito
Regola a SX continuo	-7, -6, -5, -4, -3, -2, -1, <i>0</i> , 1, 2, 3, 4, 5, 6, 7, Definito
Regola Sup. continuo	-7, -6, -5, -4, -3, -2, -1, <i>0</i> , 1, 2, 3, 4, 5, 6, 7
Autocarica continuo	No, <i>Si</i>
Salto Perforazione	<i>No</i> , Si
Strappo	<i>Auto STP</i> , STP manuale, STP corto, Auto@FF
Vede fine carta	No, <i>Si</i>
Comprime	<i>Non valido</i> , 11:8., 13.6:8, Auto
Gestione carta	Invalido, Non inceppa, <i>Antiscivolo</i> , Validò, ,
Cicalino	No, <i>Si</i>
Posizione STP	Invalido, Rileva, <i>Registra</i>
APW	<i>No</i> , Si

Segno nero riferim	<i>No, Si</i>
Larghezza stampa	<b>8.0inch</b> , Larghezza carta
Regola lung. Carta	-20 -19 -18 -17 -16 -15 -14 -13 -12 -11 -10 -9 -8 -7 -6 -5 -4 -3 -2 -1 <b>0</b> +1 +2 +3 +4 +5 +6 +7 +8 +9 +10 +11 +12 +13 +14 +15 +16 +17 +18 +19 +20
Barra rullini	Non valido, <i>Standard</i> , Speciale
Rullo Carta	<i>No, Si</i>

Setup IF	Impostazioni Valide
PnP	No, <i>Si</i>
ID USB	<i>No, Si</i>

Imposta caratteri	Impostazioni Valide
Tabella Caratteri	Italico, <i>Grafica</i>
Gruppo Carattere	Groupo 1, <i>Group 2</i>
Set Carat. Int.	<i>USA</i> , Francia, Germania, Regno Unito, Danimarca I, Svezia, Italia, Spagna I, Giappone, Norvegia, Danimarca II, Spagna II, Danimarca, Porcellana
HS-Bozza	No, <i>Si</i>
Fonte	Draft, DraftCond, <i>Roman</i> , Sans Serif, Courier, Prestige, Script, OCR B, OCR A, Orator, Gothic, Souvenir
Spaziatura (cpi)	<i>10</i> , 12, 15, 16.6, 17.1, 20, 24, PS

Imposta caratteri	Impostazioni Valide
Code Page	<i>CP437</i> , CP737, CP850, CP851, CP852, CP857, CP858, CP860, CP861, CP863, CP864, Extend864, CP865, CP866, Bulgaria866, CP1250, CP1251, CP1252, CP1253, CP1254, 8859_1, 8859_1SAP, 8859_2, 8859_5, 8859_7, 8859_9, 8859_15, BRASCII, Abicomp, Roman8, CoaxTwinax, New437, NewDig850, OldCode860, Flarro863, Hebrew865, CP1257, Ukraine866, Kazakhst866, Kamenicky, Mazovia, Baltic775, CROASCII, Farsi, Urdu, GreekDEC, ELOT928, UK_ASCII, US_ASCII, Swedish, German, Portuguese, French, Italian, Norwegian, Spanish, SiemensTurk, DECTurkish
Stile 15 CPI	<i>Piccolo</i> , Normale
AGM (IBM)	<i>No, Si</i>

Altri Setup	Impostazioni Valide
Comando lunghezza	No, <i>Si</i>
Comando velocità	No, <i>Si</i>
Comando Spaziatura	No, <i>Si</i>
Comando Fonte	No, <i>Si</i>

Comando stampa mono	<i>No</i> , Si
---------------------	----------------

**French (Français)**

<b>Configuration Système</b>	<b>Paramètres Valides</b>
Language	<i>English</i> , Deutsch, Россия, Italiano, Français, Español, Türkçe, Português
Emulation	<i>ESC/P2</i> , IBM
RC-Auto (ESC/P2)	Non, <i>Oui</i>
RC-Auto (IBM)	<i>Non</i> , Oui
SL-Auto	<i>Non</i> , Oui
Dir Impr	<i>Bidir</i> , Unidir
Ligne formèa	Discontinue, <i>Continue</i> , Pointillé, Non imprime
Zéro	<i>0</i> , Ø
Qualité du texte	<i>LQ</i> , NLQ
Changer aiguille 1	<i>No</i> , 1, 2, 3, 4, 5, 6, 7, 8, 9, 10, 11, 12, 13, 14, 15, 16, 17, 18, 19, 20, 21, 22, 23, 24
Changer aiguille 2	<i>No</i> , 1, 2, 3, 4, 5, 6, 7, 8, 9, 10, 11, 12, 13, 14, 15, 16, 17, 18, 19, 20, 21, 22, 23, 24
Economie Energie	Non, 1mn, 2mn, <i>5mn</i> , 10mn
Impr. multi-copies	Non, <i>Standard</i> , Renforcé
Mode Impact	<i>Normal</i> , Fort
Vitesse graphiq	<i>Normal</i> , Rapide, Ultra

Réglage papier	Paramètres Valides
Feuille LongPage	2.5, 11/4, 3, 3.5, 11/3, 4, 5, 5.5, 6, 7, 8, 9, 10, <b>II</b> , 12, 14, A4, B4, Définie
Bord Sup. Feuille	0, 1/6, 1/4, <b>I/3</b> , 1/2, 2/3, 3/4, 1, Définie
Bord Inf. Feuille	<b>0</b> , 1/6, 1/4, 1/3, 1/2, 2/3, 3/4, 1, Définie
Marge Gauche Feuille	-7, -6, -5, -4, -3, -2, -1, <b>0</b> , 1, 2, 3, 4, 5, 6, 7, c
Marge Haute Feuille	-7, -6, -5, -4, -3, -2, -1, <b>0</b> , 1, 2, 3, 4, 5, 6, 7
Charg. Auto Feuille	Non, <b>0.5sec</b> , 1sec, 1.5sec, 2sec
Listing LongPage	2.5, 11/4, 3, 3.5, 11/3, 4, 5, 5.5, 6, 7, 8, 9, 10, <b>II</b> , 12, 14, A4, B4, Définie
Listing Bord Sup.	0, 1/6, 1/4, <b>I/3</b> , 1/2, 2/3, 3/4, 1, Définie
Listing Bord infér.	<b>0</b> , 1/6, 1/4, 1/3, 1/2, 2/3, 3/4, 1, Définie
Listing Marge Gauche	-7, -6, -5, -4, -3, -2, -1, <b>0</b> , 1, 2, 3, 4, 5, 6, 7, Définie
Listing Marge Haute	-7, -6, -5, -4, -3, -2, -1, <b>0</b> , 1, 2, 3, 4, 5, 6, 7
Listing Charg. Auto	Non, <b>Oui</b>
Saut perforation	<b>Non</b> , Oui
Coupe	<b>Auto</b> , Manuelle, Courte, Auto@FF
Délect. Fin Papier	Non, <b>Oui</b>
Condense	<b>Non</b> , 11:8, 13.6:8, Auto
Gestion Papier	Non, Bourrage, <b>Anti-biais</b> , Oui,
Alarma	Non, <b>Oui</b>
Position de Coupe	Non, Détecter, <b>Enregistrer</b>
APW	<b>Non</b> , Oui
Mode Repère Noir	<b>Non</b> , Oui
Largeur Impression	<b>8.0inch</b> , Larg.Papier
LongPag Micro-ajust	-20 -19 -18 -17 -16 -15 -14 -13 -12 -11 -10 -9 -8 -7 -6 -5 -4 -3 -2 -1 <b>0</b> 1 2 3 4 5 6 7 8 9 10 11 12 13 14 15 16 17 18 19 20
Mode entrainement	Non Valid, <b>Standard</b> , Spécial
Papier du rouleau	<b>Non</b> , Oui

Config Interface	Paramètres Valides
PnP	Non, <b>Oui</b>
USB ID	Non, <b>Oui</b>

Parametrage Caractere	Valid Settings
Table Caractère	Italic, <b>Graphic</b>
Groupe Caractères	Groupe 1, <b>Groupe 2</b>
Pays	<b>USA</b> , France, Allemagne, Royaume-Uni, Denmark I , Suède, Italie, Espagne, Japon, Norvège, Denmark II , Espagne II , Ameriquelat,
HS-Draft	Non, <b>Oui</b>
Fonte	Draft, DraftCond, <b>Roman</b> , Sans Serif, Courier, Prestige, Script, OCR B, OCR A, Orator, Gothic, Souvenir
Espacement (cpi)	<b>10</b> , 12, 15, 16.6, 17.1, 20, 24,PS

Parametrage Caractere	Valid Settings
Code Page	<b>CP437</b> , CP737, CP850, CP851, CP852, CP857, CP858, CP860, CP861, CP863, CP864, Extend864, CP865, CP866, Bulgaria866, CP1250, CP1251, CP1252, CP1253, CP1254, 8859_1, 8859_1SAP, 8859_2, 8859_5, 8859_7, 8859_9, 8859_15, BRASCII, Abicomp, Roman8, CoaxTwinax, New437, NewDig850, OldCode860, Flarro863, Hebrew865, CP1257, Ukraine866, Kazakhst866, Kamenicky, Mazovia, Baltic775, CROASCII, Farsi, Urdu, GreekDEC, ELOT928, UK_ASCII, US_ASCII, Swedish, German, Portuguese, French, Italian, Norwegian, Spanish, SiemensTurk, DECTurkish
Style15cpi	<b>Petit</b> , Normal
AGM (IBM)	<b>Non</b> , Oui

Autre réglage	Paramètres Valides
Ctrl LongPage	Non, <b>Oui</b>
Ctrl Vitesse Impr.	Non, <b>Oui</b>
Ctrl Espacement	Non, <b>Oui</b>
Ctrl Fonte	Non, <b>Oui</b>
Ctrl Impr. Uni-Dir	<b>Non</b> , Oui

## Spanish (Español)

Menu. Sistema	Ajustes validos
Language	<i>English</i> , Deutsch, Россия, Italiano, Français, Español, Türkçe, Português
Emulación	ESC/P2, <i>IBM</i>
Auto CR (ESC/P2)	No, <i>Si</i>
Auto CR (IBM)	<i>No</i> , Si
Auto LF	<i>No</i> , Si
Direccion Imp	<i>Bi-Dir</i> , Uni-Dir
Linea del Formato	Desconnect, <i>Conectado</i> , Línea Punto, Sin Impr.
Cero con barra	<i>0</i> , Ø
Sust. 1er pin roto	<i>No</i> , 1, 2, 3, 4, 5, 6, 7, 8, 9, 10, 11, 12, 13, 14, 15, 16, 17, 18, 19, 20, 21, 22, 23, 24
Sust. 2do pin roto	<i>No</i> , 1, 2, 3, 4, 5, 6, 7, 8, 9, 10, 11, 12, 13, 14, 15, 16, 17, 18, 19, 20, 21, 22, 23, 24
Modo Ahorro Energía	OFF, 1min, 2min, <i>5min</i> , 10min
Impr. Multi-Copias	Inválido, <i>Cop. Normal</i> , Cop. Fuerte
Modo de Impacto	<i>Normal</i> , Fuerte
Imp.Gráfica	<i>Normal</i> , Rapido, Ultra



<b>Config. Papel</b>	<b>Ajustes validos</b>
Tam. Hojas Sueltas	2.5, 11/4, 3, 3.5, 11/3, 4, 5, 5.5, 6, 7, 8, 9, 10, <b>II</b> , 12, 14, A4, B4, Definido
Margen Sup.Hoja S.	0, 1/6, 1/4, <b>I/3</b> , 1/2, 2/3, 3/4, 1, Definido
Margen Inf.Hoja S.	<b>0</b> , 1/6, 1/4, 1/3, 1/2, 2/3, 3/4, 1, Definido
Margen Izq. Hoja S.	-7, -6, -5, -4, -3, -2, -1, <b>0</b> , 1, 2, 3, 4, 5, 6, 7, Definido
Margen. Sup. Hoja S.	-7, -6, -5, -4, -3, -2, -1, <b>0</b> , 1, 2, 3, 4, 5, 6, 7
Carga Auto. Hoja S.	Invalido, <b>0.5seg</b> , <b>1seg</b> , <b>1.5seg</b> , <b>2seg</b>
Tam. Papel Continuo	2.5, 11/4, 3, 3.5, 11/3, 4, 5, 5.5, 6, 7, 8, 9, 10, <b>II</b> , 12, 14, A4, B4, Definido
Mar. Sup. Pap. Con.	0, 1/6, 1/4, <b>I/3</b> , 1/2, 2/3, 3/4, 1, Definido
Mar. Inf. Pap.Cont.	<b>0</b> , 1/6, 1/4, 1/3, 1/2, 2/3, 3/4, 1, Definido
Marg. Iz. Pap. Cont.	-7, -6, -5, -4, -3, -2, -1, <b>0</b> , 1, 2, 3, 4, 5, 6, 7, Definido
Marg. Sup. Pap. Cont.	-7, -6, -5, -4, -3, -2, -1, <b>0</b> , 1, 2, 3, 4, 5, 6, 7
Carga Auto. Hoja Su.	No, <b>Si</b>
Salto perforación	<b>No</b> , Si
Corte	<b>Automatico</b> , Manual, Corto, Auto@FF
Detec. Fin de Papel	No, <b>Si</b>
Condensado	<b>Inválido</b> , 11:8, 13.6:8, Auto
Manejo de Papel	Inválido, Anti-atasco, <b>Anti-desvío</b> , Válido,
Alarma	No, <b>Si</b>
Posición de Corte	Inválido, Detectar, <b>Registrar</b>
Det. Ancho de Papel	<b>No</b> , Si
Modo Marca Negra	<b>No</b> , Si
Ancho de Impresión	<b>8.0inch</b> , Ancho de Papel
Micro-Aju. Tam. Hoja	-20 -19 -18 -17 -16 -15 -14 -13 -12 -11 -10 -9 -8 -7 -6 -5 -4 -3 -2 -1 <b>0</b> +1 +2 +3 +4 +5 +6 +7 +8 +9 +10 +11 +12 +13 +14 +15 +16 +17 +18 +19 +20
Modo barra	Inválido, <b>Estandar</b> , Especial
Rollo de Papel	<b>No</b> , Si

<b>Conf. Interface</b>	<b>Ajustes validos</b>
PnP	No, <b>Si</b>
USB ID	<b>No</b> , Si

Menu. Carácter	Ajustes validos
Tabla de Caracter	Italico, <i>Graficos</i>
Grupo de Caracter	Grupo 1, <i>Grupo 2</i>
Juego Carácter Int.	<i>EEUU</i> , Francia, Alemania, Reino Unido, Dinamarca I , Suecia, Italia, España, Japón, Noruega, Dinamarca II , España II , AméricaLat, I
Alta Velocidad	No, <i>Si</i>
Fuente	Draft, DraftCond, <i>Roman</i> , Sans Serif, Courier, Prestige, Script, OCR B, OCR A, Orator, Gothic, Souvenir
Tamaño Letra (cpi)	<i>10</i> , 12, 15, 16.6, 17.1, 20, 24, PS
Pagina Codigos	<i>CP437</i> , CP737, CP850, CP851, CP852, CP857, CP858, CP860, CP861, CP863, CP864, Extend864, CP865, CP866, Bulgaria866, CP1250, CP1251, CP1252, CP1253, CP1254, 8859_1, 8859_1SAP, 8859_2, 8859_5, 8859_7, 8859_9, 8859_15, BRASCII, Abicomp, Roman8, CoaxTwinax, New437, NewDig850, OldCode860, Flarro863, Hebrew865, CP1257, Ukraine866, Kazakhst866, Kamenicky, Mazovia, Baltic775, CROASCII, Farsi, Urdu, GreekDEC, EL0T928, UK_ASCII, US_ASCII, Swedish, German, Portuguese, French, Italian, Norwegian, Spanish, SiemensTurk, DECTurkish
Estilo15cpi	<i>Pequeno</i> , Normal
AGM (IBM)	<i>No</i> , Si

Config. Otros	Ajustes validos
Cmd. Long. de Hoja	No, <i>Si</i>
Cmd. Vel. Impresión	No, <i>Si</i>
Cmd. Tamaño Letra	No, <i>Si</i>
Cmd.Fuente	No, <i>Si</i>
Cmd. Imp. Uni-dir	<i>No</i> , Si

**Turkish (Türkçe)**

<b>Sistem Ayar Durumu</b>	<b>Valid Settings</b>
Lisan	<i>English</i> , Deutsch, Россия, Italiano, Français, Español, Türkçe, Português
Emülasyon	<i>ESC/P2</i> , IBM
Otom. Satırbaşı (ESC/P2)	Hayır, <i>Evet</i>
Otom. Satırbaşı (IBM)	<i>Hayır</i> , Evet
Otom. Satır besleme	<i>Hayır</i> , Evet
Baskı Yönü	<i>İki-Yöne</i> , Tek-Yöne
Kağıt satırı	Bağlı değil, <i>Bağlandı</i> , Nokta satır, Baskı yok
Sıfır Sayısı	<i>0</i> , Ø
metin Kalite	<i>LQ</i> , NLQ

<b>Sistem Ayar Durumu</b>	<b>Valid Settings</b>
Arızalı 1. iğne yed.	<i>Hayır</i> , 1, 2, 3, 4, 5, 6, 7, 8, 9, 10, 11, 12, 13, 14, 15, 16, 17, 18, 19, 20, 21, 22, 23, 24
Arızalı 2. iğne yed.	<i>Hayır</i> , 1, 2, 3, 4, 5, 6, 7, 8, 9, 10, 11, 12, 13, 14, 15, 16, 17, 18, 19, 20, 21, 22, 23, 24
Enerji tutumu modu	OFF, 1min, 2min, <i>5min</i> , 10min
Çok katmanlı baskı	Geçersiz, <i>Normal</i> , Güçlü
Vuruf modu	<i>Normal</i> , Güçlü
Grafik Hızı	<i>Normal</i> , Hızlı, Ultra

Kağıt Ayarı	Geçerli ölçüler
Tek-kağıt Form uzun	2.5, 11/4, 3, 3.5, 11/3, 4, 5, 5.5, 6, 7, 8, 9, 10, <b>II</b> , 12, 14, A4, B4, Oto. Tanım.
Tek-kağıt Üst boşluk	0, 1/6, 1/4, <b>I/3</b> , 1/2, 2/3, 3/4, 1, Oto. Tanım.
Tek-kağıt Altkenar	<b>0</b> , 1/6, 1/4, 1/3, 1/2, 2/3, 3/4, 1, Oto. Tanım.
Tek-kağıt Sol ayar	-7, -6, -5, -4, -3, -2, -1, <b>0</b> , 1, 2, 3, 4, 5, 6, 7, Oto. Tanım.
Tek-kağıt Üst ayar	-7, -6, -5, -4, -3, -2, -1, <b>0</b> , 1, 2, 3, 4, 5, 6, 7
Tek-kağıt oto kağıt	Geçersiz, <b>0.5sec</b> , 1sec, 1.5sec, 2sec
Sür. Form Kğt Uz.	2.5, 11/4, 3, 3.5, 11/3, 4, 5, 5.5, 6, 7, 8, 9, 10, <b>II</b> , 12, 14, A4, B4, Oto. Tanım.
Sür.Form Kğt Üst	0, 1/6, 1/4, <b>I/3</b> , 1/2, 2/3, 3/4, 1, Oto. Tanım.
Sür.Form Kğt Alt	<b>0</b> , 1/6, 1/4, 1/3, 1/2, 2/3, 3/4, 1, Oto. Tanım.
Sür.Form Kğt Sol	-7, -6, -5, -4, -3, -2, -1, <b>0</b> , 1, 2, 3, 4, 5, 6, 7, Oto. Tanım.
Sür.Form Kğt üst	-7, -6, -5, -4, -3, -2, -1, <b>0</b> , 1, 2, 3, 4, 5, 6, 7
Sür. Form Oto Kğt	Hayır, <b>Evet</b>
Delik atlama	<b>Hayır</b> , Evet
Kağıt kesme	<b>Oto. kesim</b> , Elle kesim, Kısa kesim, Auto@FF
Sayfa sonu algı	Hayır, <b>Evet</b>
Gnş Baskı sıkıştırma	<b>Geçersiz</b> , 11:8, 13.6:8, Auto
Eğrilik önleme	Sıkışıklık, engel, <b>Geçerli</b> , Geçersiz
Ikaz	Hayır, <b>Evet</b>
Kğt Kesme Poz.Sakla	Geçersiz, Algılama, <b>Hafıza kayıt</b> ,
Kağıt gen.algı	<b>Hayır</b> , Evet
Siyah Çizgi algı	<b>Hayır</b> , Evet
Baskı Genişliği	<b>8.0inch</b> , Kağıt genişliği
Kğt uznlk ince ayar	-20 -19 -18 -17 -16 -15 -14 -13 -12 -11 -10 -9 -8 -7 -6 -5 -4 -3 -2 -1 <b>0</b> +1 +2 +3 +4 +5 +6 +7 +8 +9 +10 +11 +12 +13 +14 +15 +16 +17 +18 +19 +20
Basınç yay modu	Geçersiz, <b>Standart</b> , Özel
Rulo kağıt	<b>Hayır</b> , Evet

Arabirim Ayarı	Geçerli ölçüler
PnP	Hayır, <b>Evet</b>
USB Tanımı	<b>Hayır</b> , Evet

<b>Karakter Ayarı</b>	<b>Geçerli ölçüler</b>
Karakter Tablosu	Italic, <b>Graphic</b>
Karakter Grubu	Grup 1, <b>Grup 2</b>
Karakter setleri	<b>Amerika</b> , Fransa, Almanya, İngiltere, Danimarka I, İsveç, İtalya, İspanya, Japonya, Norveç, Danimarka II, İspanya II, Ltn Amerika, Danimarka, Çin
YBk.HHz-Tasiak	Hayır, <b>Evet</b>
Yazı Tipi	Draft, DraftCond, <b>Roman</b> , Sans Serif, Courier, Prestige, Script, OCR B, OCR A, Orator, Gothic, Souvenir
Karakter Aralık (cpi)	<b>10</b> , 12, 15, 16.6, 17.1, 20, 24, PS
Kod Sayfası	<b>CP437</b> , CP737, CP850, CP851, CP852, CP857, CP858, CP860, CP861, CP863, CP864, Extend864, CP865, CP866, Bulgaria866, CP1250, CP1251, CP1252, CP1253, CP1254, 8859_1, 8859_1SAP, 8859_2, 8859_5, 8859_7, 8859_9, 8859_15, BRASCII, Abicomp, Roman8, CoaxTwinax, New437, NewDig850, OldCode860, Flarro863, Hebrew865, CP1257, Ukraine866, Kazakhst866, Kamenicky, Mazovia, Baltic775, CROASCII, Farsi, Urdu, GreekDEC, ELOT928, UK_ASCII, US_ASCII, Swedish, German, Portuguese, French, Italian, Norwegian, Spanish, SiemensTurk, DECTurkish
15cpi Biçimi	<b>Küçük</b> , Normal
AGM (IBM)	<b>Hayır</b> , Evet

<b>Diğer Ayarlar</b>	<b>Geçerli ölçüler</b>
Kğt Uzunluk Komutu	Hayır, <b>Evet</b>
Baskı Hızı Komutu	Hayır, <b>Evet</b>
Karak.Aralık Kont.	Hayır, <b>Evet</b>
YazıTipi Komutu	Hayır, <b>Evet</b>
Tekyön bask Komutu	<b>Hayır</b> , Evet

**Portuguese (Português)**

<b>Config. Sistema</b>	<b>Valores válidos</b>
Linguagem	<i>English</i> , Deutsch, Россия, Italiano, Français, Español, Türkçe, Português
Emulação	<i>ESC/P2</i> , IBM
Auto CR (ESC/P2)	Não, <i>Sim</i>
Auto CR (IBM)	<i>Não</i> , Sim
Auto LF	<i>Não</i> , Sim
Direção Imp.	<i>Bi-Dir</i> , Uni-Dir
Linha forma	Desativar, <i>Ativar</i> , Tracejada, No Imprimir
Zero	<i>0</i> , Ø
Calidad del texto	<i>LQ</i> , NLQ
Substituição Pino 1	<i>No</i> , 1, 2, 3, 4, 5, 6, 7, 8, 9, 10, 11, 12, 13, 14, 15, 16, 17, 18, 19, 20, 21, 22, 23, 24
Substituição Pino 2	<i>No</i> , 1, 2, 3, 4, 5, 6, 7, 8, 9, 10, 11, 12, 13, 14, 15, 16, 17, 18, 19, 20, 21, 22, 23, 24

<b>Config. Sistema</b>	<b>Valores válidos</b>
Poupança Energia	OFF, 1min, 2min, <i>5min</i> , 10min
Impr.Multi-Copias	Desativo, <i>Cop.Normal</i> , Cop.Forte
Modo de Impacto	<i>Normal</i> , Forte
Imp. Grafica	<i>Normal</i> , Rápido, Ultra

<b>Config. Papel</b>	<b>Valores válidos</b>
Tam.Folha Solta	2.5, 11/4, 3, 3.5, 11/3, 4, 5, 5.5, 6, 7, 8, 9, 10, <b>11</b> , 12, 14, A4, B4, Definido
Margem Topo Folha	0, 1/6, 1/4, <b>1/3</b> , 1/2, 2/3, 3/4, 1, Definido
Margem Inf. Folha	<b>0</b> , 1/6, 1/4, 1/3, 1/2, 2/3, 3/4, 1, Definido
Margem Esq. Folha	-7, -6, -5, -4, -3, -2, -1, <b>0</b> , 1, 2, 3, 4, 5, 6, 7, Definido
Margem Dir. Folha	-7, -6, -5, -4, -3, -2, -1, <b>0</b> , 1, 2, 3, 4, 5, 6, 7
Carreg. Auto Folha	Desativo, <b>0.5sec</b> , 1sec, 1.5sec, 2sec
Tam. Form. Cont.	2.5, 11/4, 3, 3.5, 11/3, 4, 5, 5.5, 6, 7, 8, 9, 10, <b>11</b> , 12, 14, A4, B4, Definido
Mar. Topo Form. Cont.	0, 1/6, 1/4, <b>1/3</b> , 1/2, 2/3, 3/4, 1, Definido
Mar. Inf. Form. Cont.	<b>0</b> , 1/6, 1/4, 1/3, 1/2, 2/3, 3/4, 1, Definido
Mar. Esq. Form. Cont.	-7, -6, -5, -4, -3, -2, -1, <b>0</b> , 1, 2, 3, 4, 5, 6, 7, Definido
Marg. Topo Form. Cont.	-7, -6, -5, -4, -3, -2, -1, <b>0</b> , 1, 2, 3, 4, 5, 6, 7
Carreg. Auto Form	Não, <b>Sim</b>
Salte perfuração	<b>Não</b> , Sim
Corte	<b>Automático</b> , Manual, Corto, Auto@FF
Detec. Fim de Papel	Não, <b>Sim</b>
Condensado	<b>Desativo</b> , 11:8, 13.6:8, Auto
Manuseio de Papel	Inválido, Anti-atola, Anti-desvio, Válido
Cigarra	Não, <b>Sim</b>
Posição de corte	Inválido, Detectar, <b>Registrar</b>
Det. Largura Papel	Não, <b>Sim</b>
Modo Marca Preta	<b>Não</b> , Sim
Largura impressão	<b>8.0inch</b> , largura do papel
Mic. -Aju. Tam. Hoja	-20 -19 -18 -17 -16 -15 -14 -13 -12 -11 -10 -9 -8 -7 -6 -5 -4 -3 -2 -1 <b>0</b> +1 +2 +3 +4 +5 +6 +7 +8 +9 +10 +11 +12 +13 +14 +15 +16 +17 +18 +19 +20
Modo de pressão	Invalido, <b>Norma</b> , Especial
Rollo de Papel	<b>Não</b> , Sim

<b>Conf. Interface</b>	<b>Valores válidos</b>
PnP	Não, <b>Sim</b>
ID USB	<b>Não</b> , Sim

<b>Config. Carácter</b>	<b>Valores válidos</b>
Tabela de caracteres	Itálic, <i>Gráfico</i>
Grupo de Carateres	Group 1, <i>Group 2</i>
Conj. Carateres Int.	<i>EUA</i> , França, Alemanha, Reino Unido, Dinamarca I, Suécia, Itália, Espanha, Japão, Noruega, Dinamarca II, Espanha II, América Lat, Dinamarca, China
Alta Velocidad	Não, <i>Sim</i>
Fonte	Draft, DraftCond, <i>Roman</i> , Sans Serif, Courier, Prestige, Script, OCR B, OCR A, Orator, Gothic, Souvenir
Passo (cpi)	<i>10</i> , 12, 15, 16.6, 17.1, 20, 24, PS
Página de Código	<i>CP437</i> , CP737, CP850, CP851, CP852, CP857, CP858, CP860, CP861, CP863, CP864, Extend864, CP865, CP866, Bulgária866, CP1250, CP1251, CP1252, CP1253, CP1254, 8859_1, 8859_1SAP, 8859_2, 8859_5, 8859_7, 8859_9, 8859_15, BRASCII, Abicomp, Roman8, CoaxTwinax, New437, NewDig850, OldCode860, Flarro863, Hebrew865, CP1257, Ukraine866, Kazakhst866, Kamenicky, Mazovia, Baltic775, CROASCII, Farsi, Urdu, GreekDEC, ELOT928, UK_ASCII, US_ASCII, Swedish, German, Portuguese, French, Italian, Norwegian, Spanish, SiemensTurk, DECTurkish
Estilo 15cpp	<i>Pequeno</i> , Normal
AGM (IBM)	<i>Não</i> , Sim

<b>Config. Outros</b>	<b>Valores válidos</b>
Cmd. Tam. de Folha	Não, <i>Sim</i>
Cmd. Vel. Impresso	Não, <i>Sim</i>
Cmd. Passo	Não, <i>Sim</i>
Cmd. Fonte	Não, <i>Sim</i>
Cmd. Imp. Uni- dir	<i>Não</i> , Sim



## **Black Mark Parameters**

This printer uses tractors to load fanfold forms with pre-printed black marks.

The printer requires 3 parameters to print on paper with black marks:

1. Horizontal offset of black mark from the edge of page (called **Black Mark Physical Horizontal Position**); later on, this value facilitates the printer to locate its scanner preparing for identifying the black marks.
2. Vertical offset of the first print line from the black mark (called **Distance Offset From BlackMark To Print Position**); later on, the print makes use of this value to print the first line relative to the black mark.
3. Vertical offset of the tear-off edge from the black mark (called **Distance Offset From BlackMark To Tear Position**); this value informs the printer the tear-off position of the page.



**Not to skip or change the order of setting the above 3 parameters.**

The procedures to set the parameters:

1. Hold down the **【Tear off】** key while powering on the printer and then release the key when the print head starts to move. After loading paper, the printer prompts the Printer Settings

## Printer Settings

[LF]=Next, [TEAR]=Back, [LOAD/EJECT]=OK,  
[ONLINE]=Exit, [ONLINE]+[LOAD/EJECT]=  
Save and restart the printer.

### System Setup

2. Press the **Next** or **Back** keys to scroll forward or backward the sub-menus till the printer shows:


### BlackMark Mode

3. Press **OK** to go into the BlackMark menu. The printer prompts:

[Black Mark Adjustment Mode]  
[LF]= Next, [TEAR]= Back, [LOAD/EJECT]=OK,  
[ONLINE]=Exit, [ONLINE]+[LOAD/EJECT]=  
Save and restart the printer.

### Black Mark Physical Horizontal Position

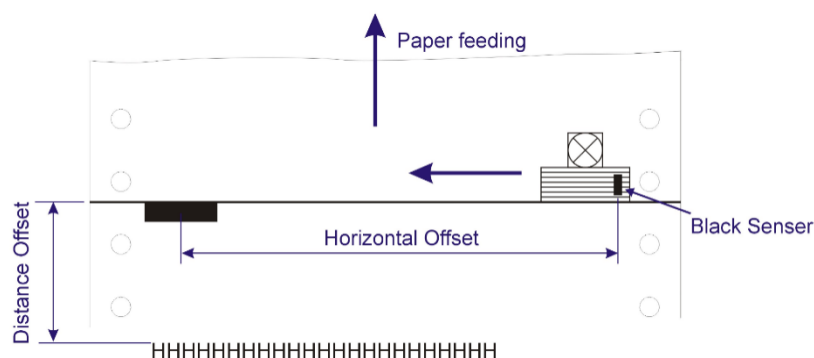
Press any key to eject the paper, and load paper with black mark in the Fanfold Path.

4. The last prompt above advises you to press any key to unload the dialog form. Then load a fanfold form with black mark.
5. Ensure to place the lever at  position. Then press the **【Load/Eject】** key to load the black marked form. The top edge of the form will then align with the printer's tear-off blade. Press **Next** or **Back** until you see the black mark marginally exposed out of the tear-off blade. Then press **OK** to allow the printer to scan the horizontal offset of the black mark relative to the left edge of the page. (Meanwhile, the vertical position of the black mark is measured and recorded.)

When the printer fails to scan the horizontal offset (see the below picture), it prompts you to repeat the above procedures. If scanning is successful, it prompts:

Successfully setup black mark parameters.

Distance Offset From Black Mark To Print Position



6. The last prompt above invites you to set the next parameter -- vertical offset of the first print line from the black mark. Like other setting dialogs, you have options:

- 1) to bypass this setting (by pressing **Next** or **Back**),  
(**WARNING**: Not to skip or change the order in Black Mark Setting.)
- 2) to accept the Distance Offset (by pressing **OK**),
- 3) to leave the subsequent settings (by press **Exit**),
- 4) to terminate the session and save modified parameter(s) (by pressing **Save and Restart**).

7. When you respond with “**OK**” to set the vertical offset, the printer prompts you to reload a black marked fanfold form:

Press any key to eject the paper, and load paper with black mark in the Fanfold Path.

The top edge of the form will then align with the printer’s tear-off blade. Press **Next** or **Back** to feed or reverse-feed the paper till the desired first print line position is reached. (With the above measured vertical position, the printer will convert the next paper feeding to the TOF relative to the black mark.) Press **OK** to confirm the vertical offset. Then the print prompts the invitation for setting the tear-off position relative to the black mark:

Successfully setup black mark parameters.

Distance Offset From Black Mark To Tear Position

8. When you respond with **OK** to set the tear-off position, the printer prompts you to reload a black marked fanfold form:

Press any key to eject the paper, and load paper with black mark in the Fanfold Path.

The printer reloads the form. By default the form stops 5.5 inches away from the printer's tear-off blade. Press **Next** or **Back** to feed or reverse-feed the paper till the desired tear-off position is reached. (With the above measured vertical position, the printer will convert the net paper feeding to the tear-off position relative to the black mark.) Press **OK** to confirm the tear-off offset relative to the black mark. Finally, press **Save and Restart** to save new settings and terminate the session.

## Bidirectional Alignment

When wiggling vertical grids appears in tabular reports, you should adjust the Bidirectional Alignment. The procedures to adjust bi-directional alignment across adjacent line grids:

1. Hold down the **【Tear off】** key while powering on the printer and then release the key when the print head starts to move. After loading paper, the printer prompts the Printer Settings.

### Printer Settings

[LF]=Next, [TEAR]=Back, [LOAD/EJECT]=OK,  
[ONLINE]=Exit, [ONLINE]+[LOAD/EJECT]=  
Save and restart the printer.

#### System Setup

2. Press the **Next** or **Back** keys to scroll forward or backward the sub-menus till the printer shows:

#### Bi-directional Alignment

3. Press OK to go into the Bi-directional Test menu. The printer prompts:

[Bi-direction Alignment]  
[TEAR]=-1, [LF]=+1, [LOAD/EJECT]=OK, [ONLINE]=Back,  
[ONLINE]+ [LOAD/EJECT]=Save and restart the printer

20



4. Every press on “+1” or “-1” shifts the second line to the right or left, respectively, relative to the top line by 1 fine step. After pressing “+1” twice and then “OK”, the printer prompts:

22



5. Repeat the adjustment till two grid lines align satisfactory as “|”. Press “OK” again. The printer asks if you want to save the correction:

```
Save the parameter settings ([LOAD/EJECT] or [ONLINE] = OK,  
[LF] = Next)?  
Yes
```

At this stage, you have the options to save or give up the correction by pressing **OK** or **Next**, respectively. If you respond with **OK**, an asterisk “\*” appends to “Yes” to confirm saving change. If you intend to give up the correction by pressing **Next**, the printer prompts a “No” Then a confirmative response of **OK** appends an asterisk “\*” to the “No” prompt.

The printer then exits the Bi-directional Test and proceeds with the next setup menu.

## **Hex Dump**

Beeps once to indicate going into hex dump mode:

Prints data from host in hexadecimal representation.

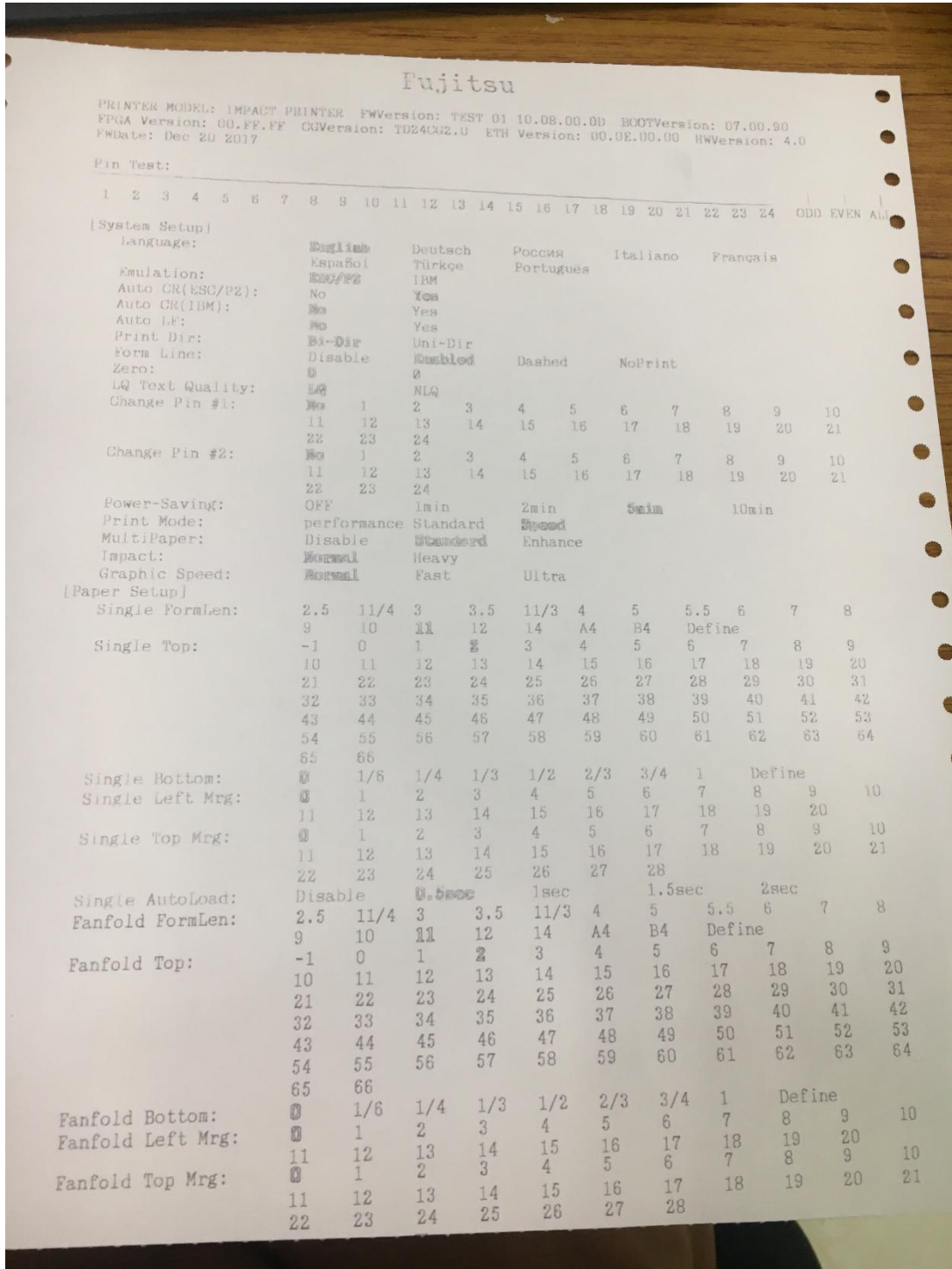
Pressing S4 suspends the printing.

When the hex dump has finished, pressing S4 forces the printing of the last line of data, as any line termination control code from host has no function.

Switch off the power to terminate the hex dump.

**Self Test / Status Page**

Prints the printer settings and self-test pattern, show as follow picture.





Fanfold AutoLoad:	No	Yes								
Skip:	No	Yes								
Tear:	Auto	Manual	View	Auto @ FF						
PaperEndDetect:	No	Yes								
Compress:	Disable	11:8	13.6:8	Auto						
PaperCheck:	Invalid	Anti-jam	Anti-shew	Valid						
Buzzer:	No	Yes								
Tear Position:	Invalid	Detect	Record							
APW:	No	Yes								
BlackMark:	No	Yes								
Width:	8.0inch	PaperWidth								
FormLen MicroAdj:	-20 -19	-18 -17	-16 -15	-14 -13	-12 -11	-10				
	-9 -8	-7 -6	-5 -4	-3 -2	-1 0	1				
	2 3	4 5	6 7	8 9	10 11	12				
	13 14	15 16	17 18	19 20						
Bail mode:	Invalid	Standard	Special							
Roll Paper:	No	Yes								
[Interface Setup]										
PnP:	No	Yes								
USE ID:	No	Yes								
[Character Setup]										
Character Table:	Italic	Graphic								
Character Group:	Group 1	Group 2								
Int'l Char Set:	USA	France	Germany	U.K.	Denmark I					
	Sweden	Italy	Spain I	Japan	Norway					
	Denmark II	Spain II	LatinAm	Denmark	China					
HS-Draft:	No	Yes								
Font:	Draft	DraftCond	Roman	SansSerif	Courier					
	Prestige	Script	OCR B	OCR A	Orator					
	Gothic	Souvenir								
Pitch(cpi):	10	12	15	16.6	17.1					
	20	24	PS							
Code Page:	CP437	CP737	CP850	CP851	CP852					
	CP857	CP858	CP860	CP861	CP863					
	CP864	Extend864	CP865	CP866	Bulgaria866					
	CP1250	CP1251	CP1252	CP1253	CP1254					
	8859_1	8859_1SAP	8859_2	8859_5	8859_7					
	8859_9	8859_15	BRASCII	Abicomp	Roman8					
	CoaxTwinax	New437	NewDig850	OldCode860	Flarro863					
	Hebrew865	CP1257	Ukraine866	Kazakhst866	Kamenicky					
	Mazovia	Baltic775	CROASCII	Farsi	Urdu					
	GreekDEC	ELOT928	UK_ASCII	US_ASCII	Swedish					
	German	Portuguese	French	Italian	Norwegian					
	Spanish	SiemensTurk	DECTurkish	Tarama						
15cpi Style:	Small	Normal								
AGM(IBM):	No	Yes								
[Other Setup]										
Form Length Ctrl:	No	Yes								
PrintSpeed Ctrl:	No	Yes								
Pitch Ctrl:	No	Yes								
Font Ctrl:	No	Yes								
***** End of Test *****										

**Printer Config Tool** In the CDROM is a software utility called “FUJITSU Printer Config Tool”. This application enables a convenient, simple, and fast way to control your printer without touching any keys on the operation panel.

1. Start the tool installation by double clicking the “FUJITSU Printer Config Tool Setup.msi”.
2. Connect the printer to the system using USB or Parallel or Serial cable
3. Power up the printer.
4. Run the tool from the Windows Start menu by selecting All Programs, and then FUJITSU Printer Setup.
5. For more information on how to use the tool, go to the Help menu and select User Guide.

**Note:** Ensure to disconnect the config tool before sending the printing data, otherwise the data will not be printed or be printed in a incorrect way.




## Customized Form

This printer allows the customization on the form length, **TOF**, bottom margin and left margin for single sheets and fanfold.

Selecting the Define value(s) in section 5.2 (Paper Setup menu) allows the printer to take up the customized page formatting value(s).

The parameter setting procedures involve:

1. The printer prompts the dialogs and you follow the prompts.
2. Before every measurement or change, the print instructs you to unload the conversation form from the printer.
3. With the exception of measuring the form length for cut sheets, always set the lever to the tractors position .
4. For form length measurement, insert the customized form from the proper paper path.

The other six settings are actually done on general fanfold forms --- not the actual customized form. Fanfold paper gives direct visual results on the TOF, bottom and left margins even though cut sheets will be used in actual application.

this chapter describes the following operations:

- Customize Cut Sheet Form Length
- Customize Cut Sheet TOF
- Customize Cut Sheet Bottom Margin
- Customize Cut Sheet Left Margin
- Customize Fanfold Page Formatting Parameters

## Customize Cut Sheet Form Length

1. Hold down both the **【Online】** and **【Load/Eject】** keys while powering on the printer and then release the keys when the carriage initializes and beeps once. After loading a form the printer prompts:

### Customize Form

[LF]=Next , [TEAR]=Back, [LOAD/EJECT]=OK, [ONLINE]=Exit, [ONLINE]+[LOAD/EJECT]= Save and restart the printer.

Single sheet

2. Press **“OK”** to start customizing all or part of 4 parameters for single sheet. The printer prompts:

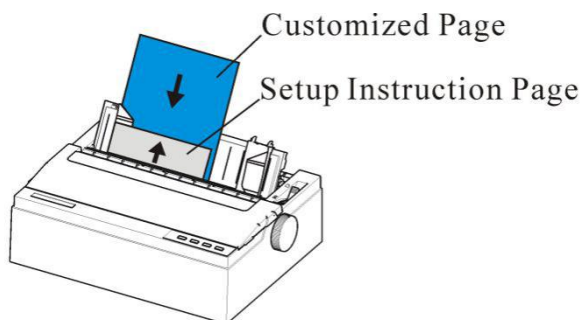
[Single sheet]

Form Length

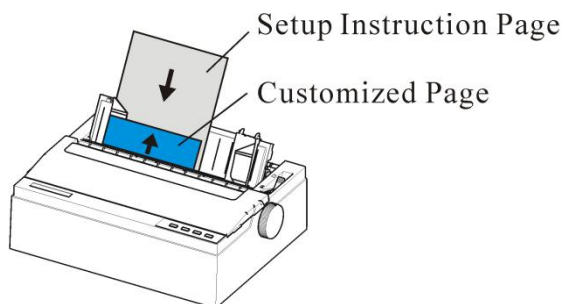
3. You may skip to other customized settings by pressing **“Next”** or **“Back”**. Once you press **“OK”** to continue with form length measurement, the printer prompts:

1. Press any key to clear the Setup Instructions Page from the printer. Insert the Customized Page into the corresponding paper path. Press [LOAD/EJECT] to load and measure the page length.
2. The printer rolls over the entire Customized Page to measure its length. After measurement, press [LOAD/EJECT] to load a blank Setup Instructions Page to report the measured value.
3. Press [LOAD/EJECT] to save the measured value. Repeat the above steps if the

Illustrations for above step 1 and step 2.



Remove Setup Instructions Page and insert Customized Page.



Insert a blank Setup Instructions Page to print out measured value.

4. Follow the given prompt to unload the conversation form. Load the customized form to allow the printer to scan the page length. After the measurement, load another conversation form to let the printer print out the measured length.

The measured form length is: 11.0Inch, approximately equal to 279mm, accuracy of plus or minus 0.1 inches.  
The measured value has been saved. Remeasure ( [LOAD/EJECT]=OK, [ONLINE] =Exit)?

Yes

5. At this stage:

If **【Load/Eject】** is pressed, an asterisk “\*” is appended to “Yes” and you should repeat the procedures for form length measurement as mentioned. Or,

If you input “Exit”, the printer saves the measurement value and proceeds with the next customized setting.

## Customize Cut Sheet TOF

1. After you follow through all the steps in 6.1 or you input “**Next**” in step 3 in 6.1, the printer prompts:


Top Margin

2. You may skip to other customized settings by pressing “**Next**” or “**Back**”. Once you press “**OK**” to continue with customization of cut sheet TOF, the printer prompts:

Press any key to eject current page, load paper in the Fanfold paper path, and then

proceed as follows:

[TEAR] =  $-(1/72)$  inch, [LF] =  $+(1/72)$  inch, [LOAD/EJECT] = OK, [ONLINE] = Exit, [ONLINE] + [LOAD/EJECT] = Save and restart the printer.

3. Follow the given prompt to unload the conversation form. Ensure the lever is at  position. Then press the **【Load/Eject】** key to load fanfold paper from tractors. The top edge of the form initially aligns with the printer’s tear-off blade. You may input  $\pm 1/72$ ” to adjust the TOF position. When you get the desirable TOF, press **OK** or **Exit**. The printer prompts the customized TOF value:

The defined position is: 4.2 mm.

Save the parameter settings ([LOAD/EJECT] or [ONLINE]=OK, [LF]=Next)?

Yes

4. At this stage:  
If **【Load/Eject】** is pressed, an asterisk “\*” is appended to “Yes” and you should repeat the procedures for form length measurement as mentioned. Or,  
If you input “**Exit**”, the printer saves the measurement value and proceeds with the next customized setting.

### **Customize Cut Sheet Bottom Margin**

1. After you follow through all the steps in 6.2 or you input “**Next**” twice in step 3 in 6.1, the printer prompts:  
**Bottom Margin**
2. The remaining operations are nearly the same as described in section 6.2. The only difference is to input +/- **1/72**” till you get the desirable bottom margin.

### **Customize Cut Sheet Left Margin**

1. After you follow through all the steps in 6.3 or you input “**Next**” three times in step 3 in 6.1, the printer prompts:  
**Left Margin**
2. The remaining operations are nearly the same as described in section 6.2. The only difference is to input +/- **1/72**” till you get the desirable left margin.



## Customize Fanfold Page Formatting Parameters

The customizations of the form length, TOF, bottom and left margins for fanfold are exactly the same as describe. All you need is to bypass the Single Sheet menu under Customize Form. Follow step 1 in section 6.1:

### Customize Form

[LF]=Next, [[TEAR]=Back, [LOAD/EJECT]=OK, [ONLINE]  
=Exit, [ONLINE]+[LOAD/EJECT]=  
Save and restart the printer.

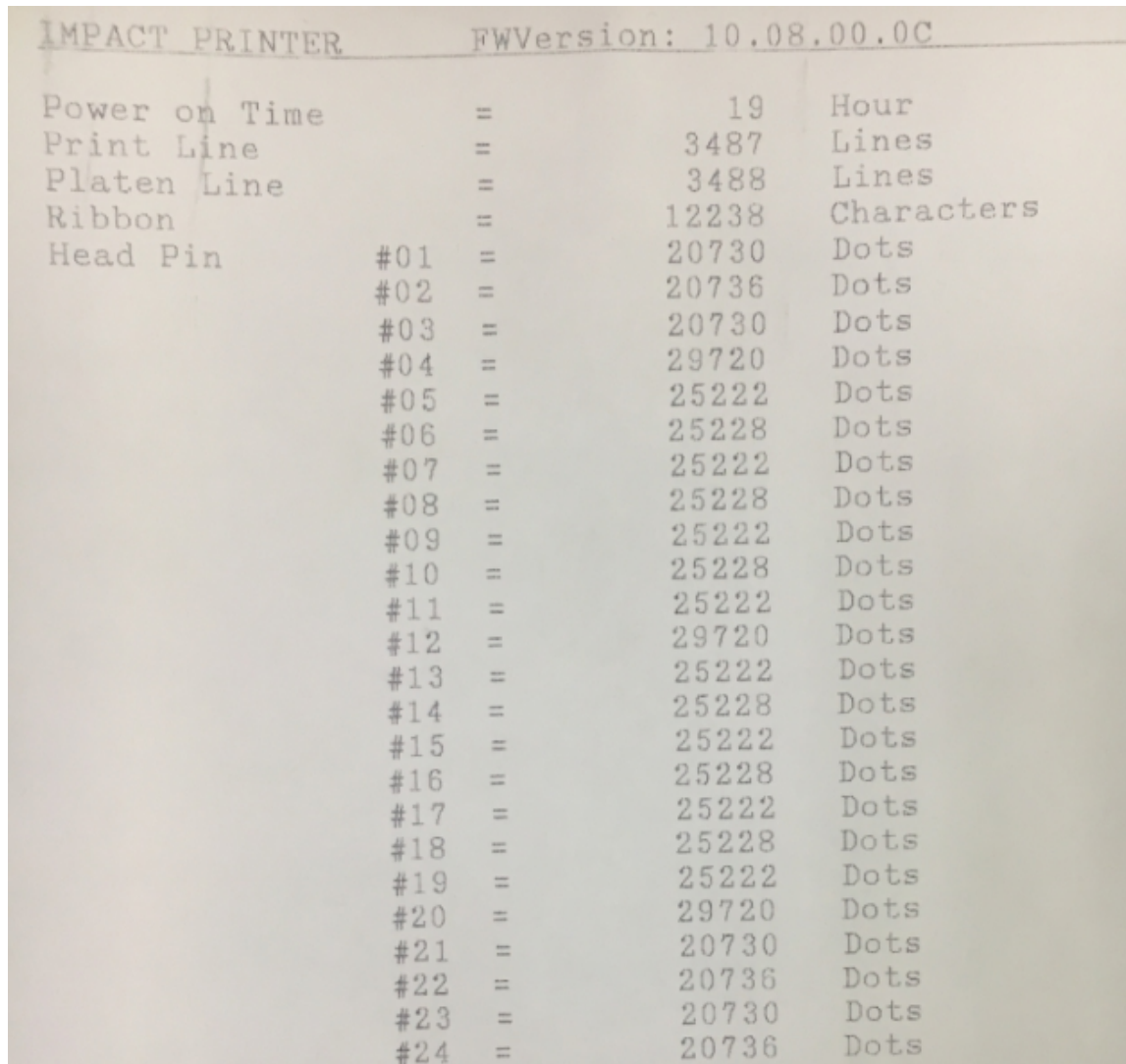
Single sheet

Then hit “Next” instead to get into the fanfold parameter menus:

[Tractor Paper]  
Form Length

Refer section 6.1 to 6.4 for details on customizing the form length, TOF, bottom margin, and left margin for fanfold.

**Life information printing** Holding down the jump key while starting up, feeding paper, then the printer can print out the information of consumables, as shown in the figure below:



IMPACT PRINTER		FWVersion: 10.08.00.0C	
Power on Time	=	19	Hour
Print Line	=	3487	Lines
Platen Line	=	3488	Lines
Ribbon	=	12238	Characters
Head Pin	#01 =	20730	Dots
	#02 =	20736	Dots
	#03 =	20730	Dots
	#04 =	29720	Dots
	#05 =	25222	Dots
	#06 =	25228	Dots
	#07 =	25222	Dots
	#08 =	25228	Dots
	#09 =	25222	Dots
	#10 =	25228	Dots
	#11 =	25222	Dots
	#12 =	29720	Dots
	#13 =	25222	Dots
	#14 =	25228	Dots
	#15 =	25222	Dots
	#16 =	25228	Dots
	#17 =	25222	Dots
	#18 =	25228	Dots
	#19 =	25222	Dots
	#20 =	29720	Dots
	#21 =	20730	Dots
	#22 =	20736	Dots
	#23 =	20730	Dots
	#24 =	20736	Dots



## MAINTENANCE

Your printer requires very little care. Occasional cleaning and replacement of the ribbon cartridge are all that is required.

Cleaning is recommended approximately every 6 months or 300 hours of operation, whichever is sooner.

Lubrication of the printer is not usually necessary.

If the print head carriage does not move smoothly back and forth, clean the printer in the manner described in this chapter. If the problem continues, contact your dealer to determine whether lubrication may be necessary.


The housing and the top cover of the printer help protect it against dust, dirt, and other contaminants. However, paper produces small particles that accumulate inside the printer. This section explains how to clean and vacuum the printer and how to clean the paper bail rollers.


It is easier to clean the printer when the cover is open.

This chapter describes the following content:

- Cleaning
- Cleaning the Platen(Paper Roller)
- Replace the ribbon

**CLEANING****Cleaning and Vacuuming the Printer**

	<b>WARNING</b> <b>To avoid any possibility of injury, before cleaning the printer, turn off the power to both the printer and the computer, and unplug the printer.</b>
---	--

	<b>CAUTION&lt;HOT&gt;</b> <b>The print head and metal frame is hot during printing or immediately after printing. Do not touch them until it cools down.</b>
---	---

Use the following procedure to clean and vacuum the printer as required:

1. Remove any paper from the printer. Make sure that the power is off, and then disconnect the printer power cord.
2. Using a soft vacuum brush, vacuum the exterior of the printer. Also vacuum the cut sheet edge.
3. Use a soft, damp cloth to wipe the exterior of the printer, including the cover. A mild detergent may be used.

**CAUTION**

***Do not use solvents, kerosene, or abrasive cleaning materials that may damage the printer.***