

Federal Communications Commission Statement

This equipment has follows with the limits for a Class B digital device, pursuant to Part 15 of the FCC Rules. These limits are designed to provide reasonable protection against harmful interference in a residential installation. This equipment generates, uses and can radiate radio frequency energy and, if not installed and used in accordance with the instruction, may cause harmful interference to radio communications. However, there is no guarantee that interference will not occur in a particular installation. If this equipment does cause harmful interference to radio or television reception, which can be determined by turning the equipment off and on, the user is encouraged to try and correct the interfere by one of the following measures:

- Reorient or relocate the receiving antenna,
- Increase the separation between the equipment and receiver,
- Connect the equipment into and outlet on a circuit different from that to which the receiver is connected.

Consult the dealer or an experienced radio/TV technician for help.

This device complies with Part 15 of the FCC Rules. Operation is subject to the following two conditions:

(1) this device may not cause harmful interference, and (2) this device must accept any interference received, including interference that may cause undersired operation.

FCC Caution: Any changes or modifications not expressly approved by the party responsible for compliance could void the user's authority to operate this equipment.

Limited Warranty

Vision Guarantees that every In-Wall Switch module is free from physical defects in material and workmanship under normal use for one year from the date of purchase. If the product proves defective during this one-year warranty period, Vision will replace it free of charge. Vision does not issue any refunds. This warranty is extended to the original end user purchase only and is not transferable. This warranty does not apply to : (1) damage to units caused by accident, dropping or abuse in handling, or any negligent use; (2) units which have been subject to unauthorized repair, taken apart, or otherwise modified; (3) units not used in accordance with instruction; (4) damages exceeding the cost of the product; (5) transit damage, initial installation costs, removal cost, or reinstallation cost. For information on additional devices, please visit us at www.visionsecurity.com.tw



Installation & Operation Manual

ZL7435IN-5
ZL7435MY-5
ZL7435EU-5
ZL7435RU-5
ZL7435US-5
ZL7435US-5_WIRE
ZL7435IL-5
ZL7435KR-5
ZL7435HK-5
ZL7435JP-5
ZL7435BR-5

ZL 7435-5	V0	1031205	6B1Z-7400A
-----------	----	---------	------------

**In-Wall Switch, 2 Relays
(Screw Terminal type or Wire type)**

Introduction

Thanks for choosing the Vision's In-Wall Switch module of the home automation device. This module is a Z-Wave™ enabled device (interoperable, two-way RF mesh networking technology) and is fully compatible with any Z-Wave™ enabled network and its security framework. Every mains powered Z-Wave enabled device acts as a signal repeater and multiple devices result in more possible transmission routes which helps eliminate "RF dead-spots".

Z-Wave™ enabled devices displaying the Z-Wave™ logo can also be used with it regardless of the manufacturer, and ours can also be used in other manufacturer's Z-Wave™ enabled networks. With special design, this module can fit into most of electronic box in the market. This module will send On/Off signal to the appliance that attached to this module by receiving Z-Wave™ signal from controller. It also can control two appliances independently. When the device is secure included into Z-Wave network, above communication will be encrypted.

Product Description and Specification

Specification:	Package Content
Protocol: Z-Wave™ (ZM5101) Frequency Range: 865.22MHz (ZL7435IN-5) 868.10MHz (ZL7435MY-5) 868.42MHz (ZL7435EU-5) 869.00MHz (ZL7435RU-5) 908.42MHz,916.00MHz (ZL7435US-5,ZL7435US-5_WIRE) 916.00MHz (ZL7435IL-5) 919~923MHz (ZL7435KR-5) 919.80MHz (ZL7435HK-5) 922~926MHz (ZL7435JP-5) 921.42MHz (ZL7435BR-5) Operating Range: Up to 100 feet line of sight Operating Temp.: -15°C~ 60°C (5°F~140°F) Operating Voltage: 100VAC~240VAC Resistive Load: 550W for 110VAC 1100W for 220VAC	1pc ZL 7435-5 In-Wall Switch, 2 Relays (Screw Terminal) 1pc Installation & Operation Manual

Z-Wave™ Command Classes:

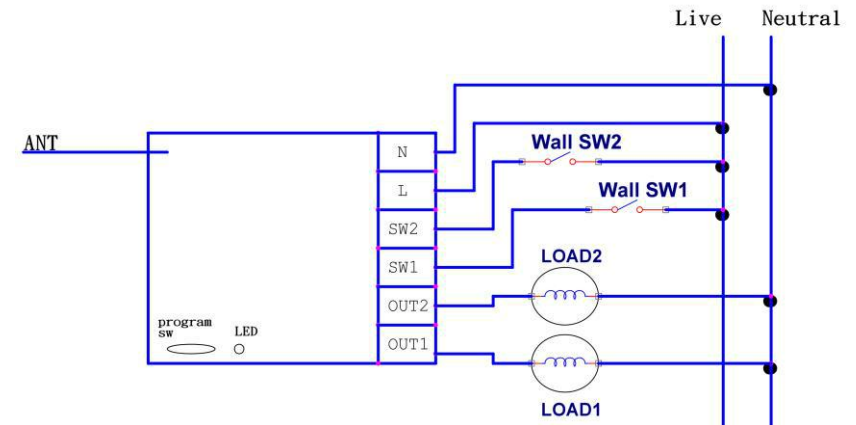
COMMAND_CLASS_ASSOCIATION_GRP_INFO
 COMMAND_CLASS_ASSOCIATION_V2
 COMMAND_CLASS_CONFIGURATION
 COMMAND_CLASS_DEVICE_RESET_LOCALLY
 COMMAND_CLASS_FIRMWARE_UPDATE_MD_V2
 COMMAND_CLASS_MANUFACTURER_SPECIFIC
 COMMAND_CLASS_MULTI_CHANNEL_ASSOCIATION_V2
 COMMAND_CLASS_MULTI_CHANNEL_V2
 COMMAND_CLASS_POWER_LEVEL
 COMMAND_CLASS_PROTECTION
 COMMAND_CLASS_SECURITY
 COMMAND_CLASS_SWITCH_ALL
 COMMAND_CLASS_SWITCH_BINARY
 COMMAND_CLASS_VERSION
 COMMAND_CLASS_ZWAVEPLUS_INFO

Installation

Notice: If you are installing the entire Z-Wave™ system for the first time, please refer to the installation guide of Z-Wave™ Interface Controller before installing ZL7435 In-Wall Switch Module.

- Following the wiring diagram to install ZL7435.

Note: Place antenna toward the surface and away from metal to get better signal.



LED Status after Power On:

Not Included: FLASH

Included : OFF

- For "Inclusion" in (adding to) a network: Put the Z-Wave™ Interface Controller into "inclusion" mode, and following its instruction to add the ZL 7435 to your controller. To get in the "inclusion" mode, the distance between module and controller is suggested to be in one meter. Press 3 times within 2 seconds or turn on the wall switch 3 times within 2 seconds (or press toggle switch 3 times) to be included.

For "Exclusion" from (removing from) a network: Put the Z-Wave™ Interface Controller into "exclusion" mode, and following its instruction to delete the ZL 7435 from your controller.

Press 3 times within 2 seconds or turn on the wall switch 3 times within 2 seconds (or press toggle switch 3 times) to be excluded.

- For "Association": Use Association to set up the reporting node after triggering for group 1 of SW1 (switch 1). Put the Z-Wave™ Interface Controller into "association", and following its instruction to associate the ZL7435-5 with other devices. .Support one association group (5 nodes).

For "MultiChannel Association": Use MultiChannel Association to set up the group 2 of SW2 (switch 2) which will assign the group's nodes or node's endpoint.

- For "Button Mode Switching": Use Command Class Configuration's CONFIGURATION_SET to change the button mode (switch or toggle)

	Byte	Value
Parameter 1	1	0 = Switch (Default) 1 = Toggle

4. For **“SW1’s Protection”**: Use Command Class Protection’s PROTECTION_SET to protect SW1.

Value	Protection Level
00	Normal (Default)
1	Press 4 Times On & Off To Switch On/Off Status
2	Only accept Z-Wave Command; such as: BASIC_SET, SWITCH_ALL_ON, SWITCH_BINARY_SET & SWITCH_ALL_OFF

5. For **“SW2’s Protection”**: Use Command Class Multichannel’s MULTI_CHANNEL-CMD_ENCAP to Encapsulate Command Class Protection’s PROTECTION_SET.

Value	Protection Level
0	Normal (Default)
1	Press 4 Times On & Off To Switch On / Off Status
2	Only accept Z-Wave Command

6. For **“SWITCH_ALL_ON”**: Use SWITCH_ALL_SET to control all on or all off

Value	Status
0xFF	Accept SWITCH_ALL_ON & SWITCH_ALL OFF (Default)
0x00	No accept SWITCH_ALL_ON & SWITCH_ALL OFF
0x01	Only accept SWITCH_ALL OFF
0x02	Only accept SWITCH_ALL_ON

7. For **“SW1’s Control”**: Press SW1 to control 1st Relay’s On & Off.

	Value	Status
ON	Binary Switch Set (0xFF)	Basic Set On Switch All On
OFF	Binary Switch Set (0x00)	Basic Set Off Switch All Off

For relay 1 or 2: Please use Multi-Channel command class to control

8. **Factory Default Reset:** Power off first, press Program Switch and power on till 10 seconds, ZL7435 will send the “Device Reset Locally Notification” command and reset to the factory default. (Remark: This is to be used only in the case of primary controller being inoperable or otherwise unavailable.)
9. Support OTA Firmware update from controller. Please refer to your controller manual. We recommend to exclusive the device & include again before use the device.
10. Support AES Function.

11. All the rest commands depend on Z-Wave standard.

Operation

Turn on or turn off two individual appliances that attached to ZL7435 by Z-Wave™ Interface Controller