

Operation

Turn on or turn off two individual appliances that attached to ZL7432 by Z-Wave™ Interface Controller

Federal Communications Commission Statement

This equipment has follows with the limits for a Class B digital device, pursuant to Part 15 of the FCC Rules. These limits are designed to provide reasonable protection against harmful interference in a residential installation. This equipment generates, uses and can radiate radio frequency energy and, if not installed and used in accordance with the instruction, may cause harmful interference to radio communications. However, there is no guarantee that interference will not occur in a particular installation. If this equipment does cause harmful interference to radio or television reception, which can be determined by turning the equipment off and on, the user is encouraged to try and correct the interfere by one of the following measures:

Reorient or relocate the receiving antenna,

Increase the separation between the equipment and receiver,

Connect the equipment into and outlet on a circuit different from that to which the receiver is connected.

Consult the dealer or an experienced radio/TV technician for help.

This device complies with Part 15 of the FCC Rules. Operation is subject to the following two conditions: (1) this device may not cause harmful interference, and (2) this device must accept any interference received, including interference that may cause undersired operation.

FCC Caution: Any changes or modifications not expressly approved by the party responsible for compliance could void the user's authority to operate this equipment.

Limited Warranty

Vision Guarantees that every In-Wall Switch module is free from physical defects in material and workmanship under normal use for one year from the date of purchase. If the product proves defective during this one-year warranty period, Vision will replace it free of charge. Vision does not issue any refunds. This warranty is extended to the original end user purchase only and is not transferable. This warranty does not apply to : (1) damage to units caused by accident, dropping or abuse in handling, or any negligent use; (2) units which have been subject to unauthorized repair, taken apart, or otherwise modified; (3) units not used in accordance with instruction; (4) damages exceeding the cost of the product; (5) transit damage, initial installation costs, removal cost, or reinstallation cost.

For information on additional devices, please visit us at www.visionsecurity.com.tw

ZL 7432	V1	1030327	6B1Z-74005
---------	----	---------	------------



Installation & Operation Manual

ZL 7432 IN

ZL 7432 EU

ZL 7432 RU

ZL 7432 US

ZL 7432 IS

ZL 7432 JP

ZL 7432 BR

In-Wall Switch, 2 Relays

Introduction

Thanks for choosing the Vision's In-Wall Switch module of the home automation device. This module is a Z-Wave™ enabled device (interoperable, two-way RF mesh networking technology) and is fully compatible with any Z-Wave™ enabled network. Every mains powered Z-Wave enabled device acts as a signal repeater and multiple devices result in more possible transmission routes which helps eliminate "RF dead-spots". Z-Wave™ enabled devices displaying the Z-Wave™ logo can also be used with it regardless of the manufacturer, and ours can also be used in other manufacturer's Z-Wave™ enabled networks. With special design, this module can fit into most of electronic box in the market. This module will send On/Off signal to the appliance that attached to this module by receiving Z-Wave™ signal from controller. It also can control two appliances independently.

Product Description and Specification

Specification:	Package Content
Protocol: Z-Wave™ (ZM3102N)	1pc ZL 7432 In-Wall Switch,
Frequency Range:	2 Relays
865.22MHz (ZL7432IN)	1pc Installation & Operation
868.42MHz (ZL7432EU)	Manual
869.00MHz (ZL7432RU)	
908.42MHz (ZL7432US)	
916.00MHz (ZL7432IS)	
920.00MHz (ZL7432JP)	
921.42MHz (ZL7432BR)	
Operating Range: Up to 100 feet line of sight	
Operating Temp.: -15°C~ 60°C (5°F~140°F)	
Operating Voltage: 100VAC~240VAC	
Resistive Load:	
550W for 110VAC	
1100W for 220VAC	

Z-Wave™ Command Class

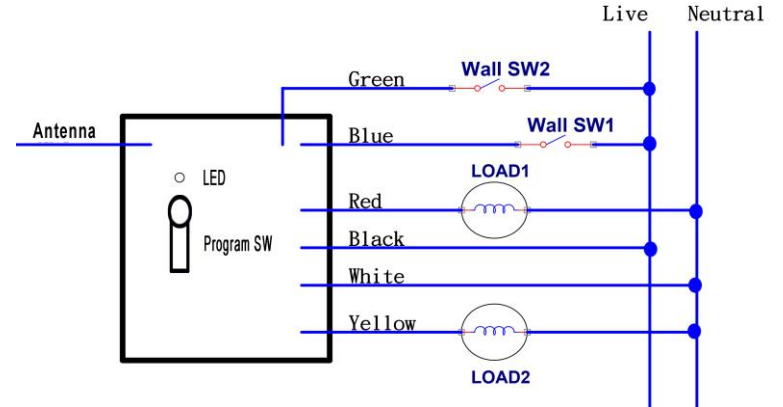
COMMAND_CLASS_ASSOCIATION
 COMMAND_CLASS_MANUFACTURER_SPECIFIC
 COMMAND_CLASS_MULTI_CHANNEL_V3
 COMMAND_CLASS_SWITCH_ALL
 COMMAND_CLASS_SWITCH_BINARY mapping COMMAND_CLASS_BASIC
 COMMAND_CLASS_VERSION

Installation

Notice: If you are installing the entire Z-Wave™ system for the first time, please refer to the installation guide of Z-Wave™ Interface Controller before installing ZL7432 In-Wall Switch Module.

- Following the wiring diagram to install ZL7432 according to your varied requirements.

Note: Place antenna toward the surface and away from metal to get better signal.



- For "**Inclusion**" in (adding to) a network: Put the Z-Wave™ Interface Controller into "inclusion" mode, and following its instruction to add the ZL 7432 to your controller. To get in the "inclusion" mode, the distance between module and controller is suggested to be in one meter. Turn on and turn off the wall switch that connects with ZL 7432 module 4 times to be included. (or press the Program SW 4 times within 2 seconds to be included)
 For "**Exclusion**" from (removing from) a network: Put the Z-Wave™ Interface Controller into "exclusion" mode, and following its instruction to delete the ZL 7432 from your controller. Turn on and turn off the wall switch that connects with ZL 7432 module 4 times to be excluded. (or press the Program SW 4 times within 2 seconds to be excluded)
- For Wall SW1, ZL 7432 will report the status of On/OFF after doing "**Association**". However, Wall SW2 will only report the status if Z-Wave™ Interface Controller support Multi Channel command, and send Get Command to ask ZL 7432 Wall SW 2 to report the status.
- User can use the following command class to control relay 1 and/or 2 in order to control the appliances that attached to ZL7432
 For relay 1:
 Status of "ON" (Binary Switch Set 0xFF or wall switch ON)
 Status of "OFF" (Binary Switch Set 0x00 or wall switch OFF)
 For relay 1 or 2: Please use Multi-Channel command class to control
- Reset to the factory default setting: Press and hold the Program SW before power on.