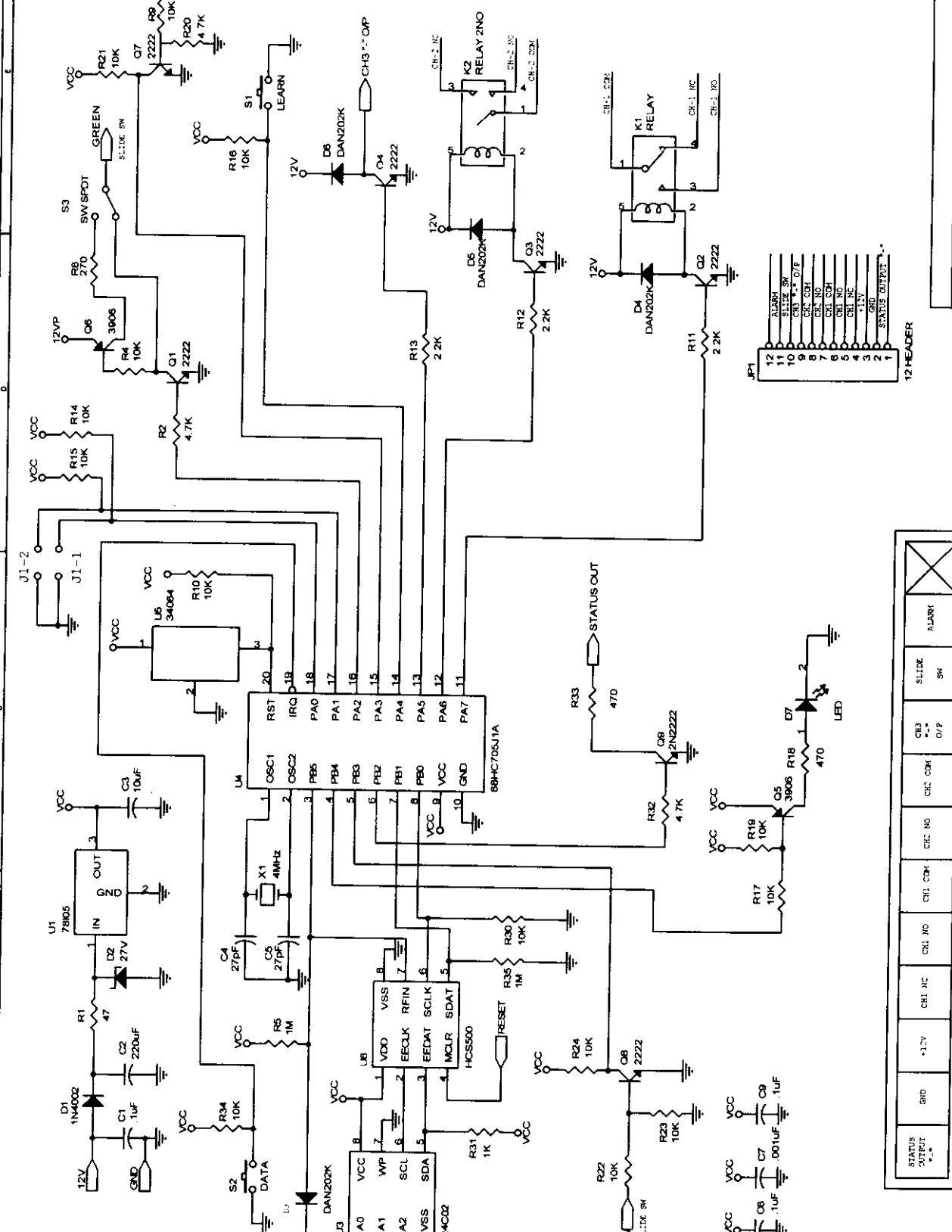


EXHIBIT D
Circuit Diagram



12	ALARM
11	SLIDE SW
10	CH1 * 0 / 1
9	CH1 CLK
8	CH1 NO
7	CH1 COM
6	CH1 NO
5	CH1 COM
4	CH1 NC
3	12V
2	STATUS OUTPUT
1	