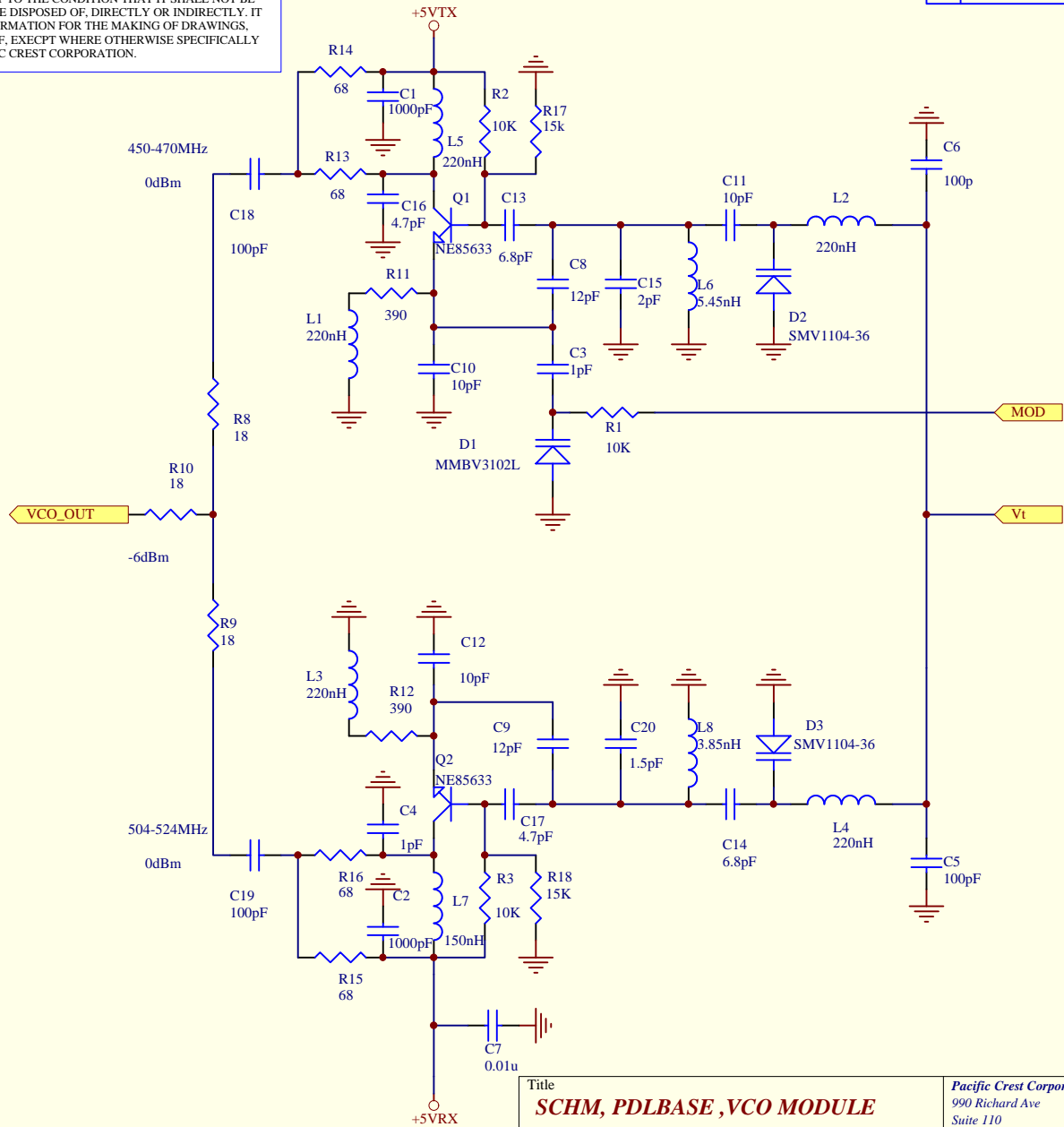


THIS DRAWING AND ITS DESIGN ARE THE PROPERTY OF PACIFIC CREST CORPORATION. THIS DRAWING IS LOANED TO YOU SUBJECT TO THE CONDITION THAT IT SHALL NOT BE REPRODUCED, COPIED, LENT OR OTHERWISE DISPOSED OF, DIRECTLY OR INDIRECTLY. IT SHALL NOT BE USED TO FURNISH ANY INFORMATION FOR THE MAKING OF DRAWINGS, PRINTS, OR EQUIPMENT, OR PARTS THEREOF, EXCEPT WHERE OTHERWISE SPECIFICALLY PROVIDED FOR BY CONTRACT WITH PACIFIC CREST CORPORATION.

02 PROTOTYPE BUILD 2 12/10/98



Title SCHM, PDLBASE, VCO MODULE			Pacific Crest Corporation 990 Richard Ave Suite 110 Santa Clara, CA 95050 USA		
Size: A	Number: D00489	Revision: 02			
File: C:\PDLBASE\EE\D00489\02\D00489.D			Date: 19-Dec-1999	Time: 09:58:00	Sheet 1 of 1

