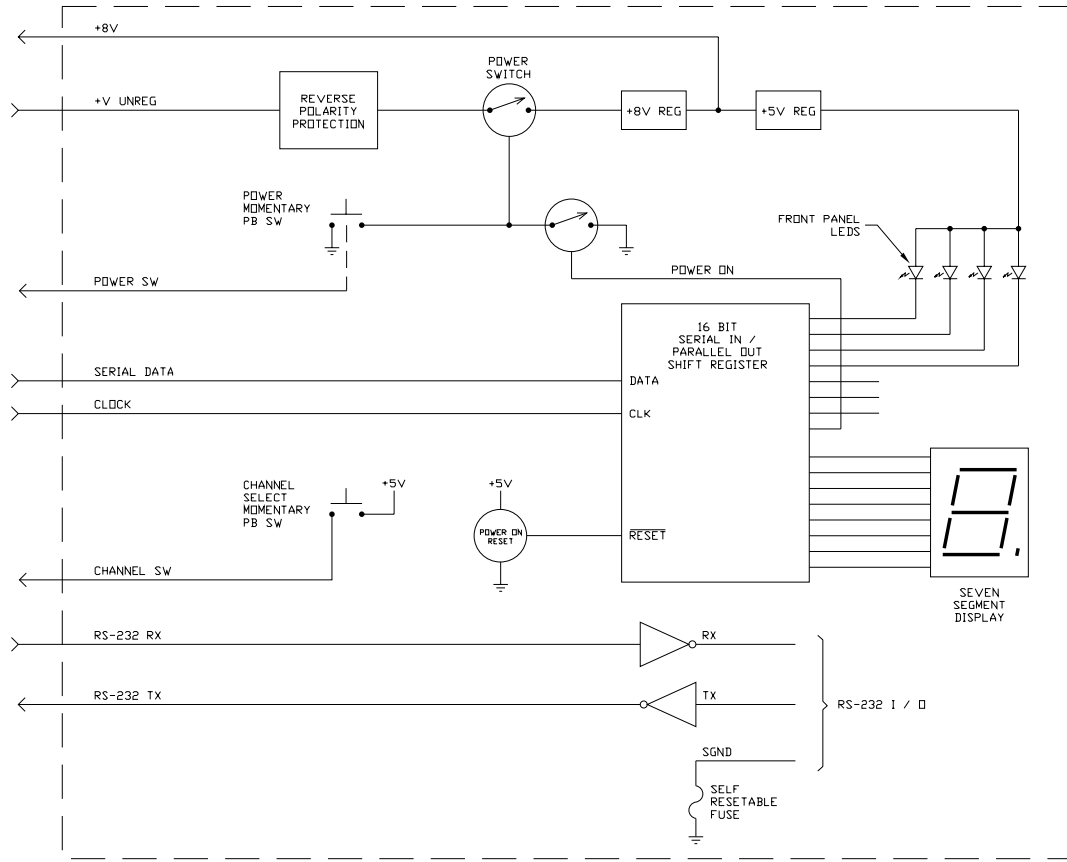


I/O BOARD BLOCK DIAGRAM



FCC ID: KEAPDL4535

APPROVALS	DATE	PACIFIC CREST CORPORATION	
DRAWN: Parkhurst	5/5/99	SIZE: C	DWG. NO: M00530
CHECKED:		SCALE: N/A	REV. 01
ENGINEER:		COPYRIGHT 1999 PACIFIC CREST	SHEET 2 OF 4
W.G. ENGINEER:			