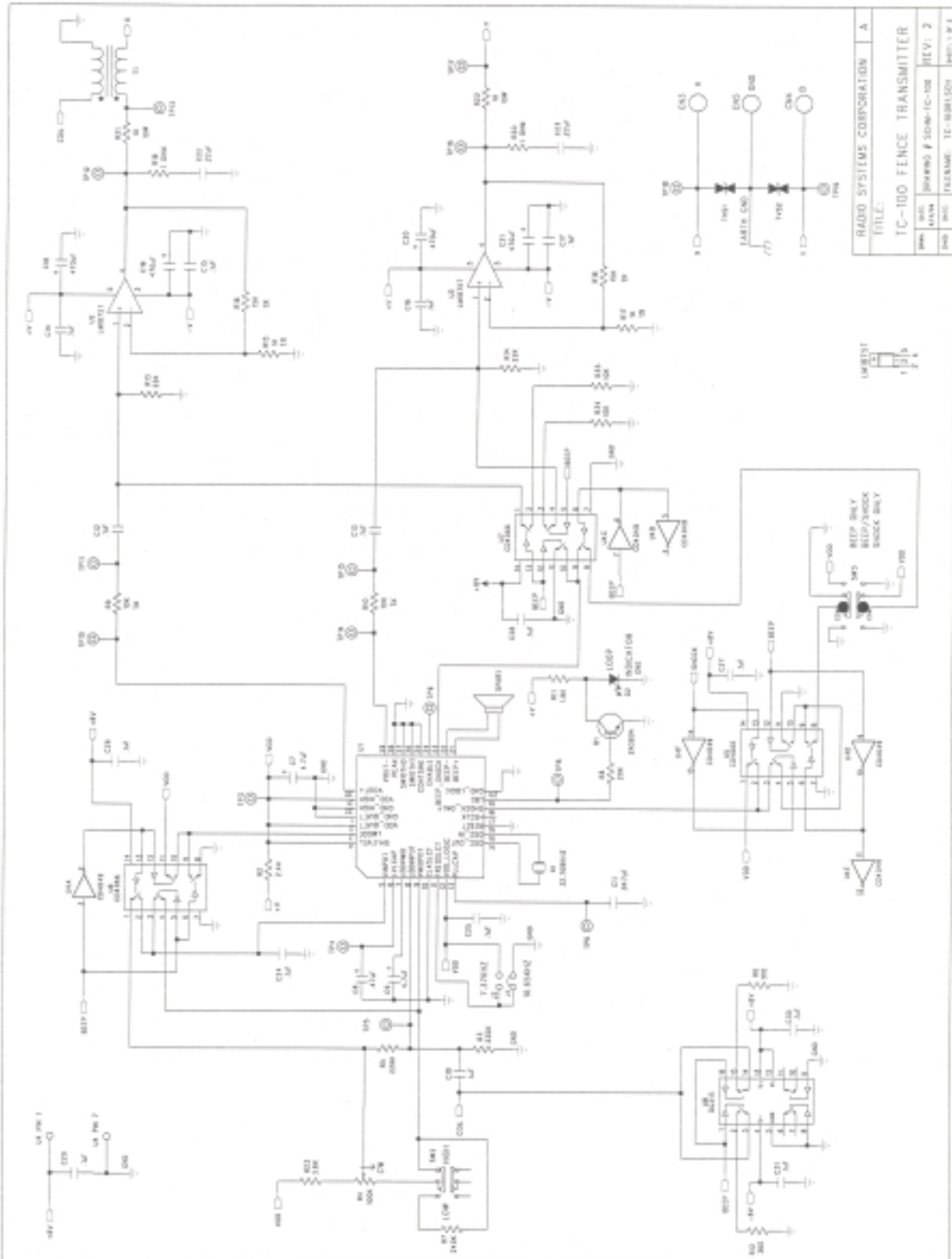


RADIO SYSTEMS CORPORATION		A	
TITLE: TC-200 RF RECEIVER TRAIN AND CONTAIN			
DRWN: DATE:	5/10/98	DRAWING #	SCHM-TC-200
CHKD: DATE:		FILENAME:	TC-200.SCH
			REV: A
			SHEET: 1 OF 1



RADIO SYSTEMS CORPORATION		A
TITLE: TC-100 FENCE TRANSMITTER		
REV: 2	DATE: 10/20/50	REV: 2
DES: J. W. BROWN	FILE NAME: TC-100-100	REV: 1, 2, 3

