



**Radio Systems Corporation
FCC Part 15, Certification Application
Model PRO-TX1**

August 15, 2002

TABLE OF CONTENTS

AGENCY AGREEMENT

CONFIDENTIALITY REQUEST

SECTION 1

GENERAL INFORMATION

Product Description
Related Submittal(s) Grant(s)

SECTION 2

TESTS AND MEASUREMENTS

Configuration of Tested
Test Facility
Test Equipment
Modifications
Field Strength of Fundamental Emission
Field Strength of Spurious Emissions
Radiated Emissions
Power Line Conducted Emissions

SECTION 3

LABELING INFORMATION

SECTION 4

BLOCK DIAGRAM/SCHEMATICS

SECTION 5

PHOTOGRAPHS

SECTION 6

USER'S MANUAL

LIST OF FIGURES AND TABLES

FIGURES

Test Configuration
Photograph(s) for Spurious and Fundamental Emissions

TABLES

EUT And Peripherals
Test Instruments
Field Strength of Fundamental Emission
Field Strength of Spurious Emissions
Power Line Conducted Emissions

SECTION 1
GENERAL INFORMATION

GENERAL INFORMATION

Product Description

The Equipment Under Test (EUT) is a Radio Systems Corporation Low Frequency, Low Power Pet Containment System Model PRO-TX1. The EUT is a dog fence transmitter. The EUT has the capability of 2 different independent zones (each designed for different size areas) and also utilizes a user selectable frequency (7.37 kHz & 10.65 kHz).

Related Submittal(s) Grant(s)

The EUT is subject to the following authorizations:

- a) Certification as a low power transmitter (10.65 kHz)

The information contained in this report is presented for the Certification authorization for the transmitter portion of the EUT.

SECTION 2
TESTS AND MEASUREMENTS

TESTS AND MEASUREMENTS

Configuration of Tested System

The sample was tested per ANSI C63.4, Methods of Measurement from Low-Voltage Electrical and Electronic Equipment in the Range of 30 MHz -1 GHz (1992). Conducted and radiated emissions data were taken with the test receiver or spectrum analyzer's resolution bandwidth adjusted to 100 Hz (9 kHz – 150 kHz), 9kHz (150 kHz - 30 MHz), and 120 kHz (30 MHz - 1 GHz) respectively. All measurements are peak unless stated otherwise. The video filter associated with the spectrum analyzer was off throughout the evaluation process. Interconnecting cables were manipulated as necessary to maximize emissions. A block diagram of the tested system is shown in Figure 1. Test configuration photographs for spurious and fundamental emissions are shown in Figure 2.

Only one channel was selected for test since the unit operates on less than a 1 MHz band of channels. The 10.65 kHz was selected for test since the FCC does not approve transmitters below 9 kHz.

The EUT was set up with a 300' length of wire connected to it, to simulate a typical installation. The wire was not buried, as it would be in a typical installation (approximately 2 -3 inches). Measurements were taken at all three antenna polarities along one of the long edges (111') of the rectangle at a distance of 3 meters to characterize the emissions. The worse case emissions were then tested at 10 meters. Results between 100 kHz and 30 MHz were corrected to 30 meters by the following $40 \log (300/10) = 59.1$ dB. Those results below 100 kHz were corrected to 300 meters by the following $60 \log (300/10) = 88.6$ dB (which has been applied to other submittals and is allowed per previous discussions with Greg Czumak at the FCC).

Test Facility

Conducted and digital device testing was performed at US Tech's measurement facility as described to the FCC and acknowledged in their letter marked 31040/SIT/USTECH.

Additional radiated testing was performed at a vacant area that would allow measurements to be made 10 meters away from the EUT with the 300' length of wire connected to it.

Test Equipment

Table 2 describes test equipment used to evaluate this product.

Modifications

No modifications were made to bring the EUT into compliance with FCC Part 15, Class B Requirements:

FIGURE 1
TEST CONFIGURATION

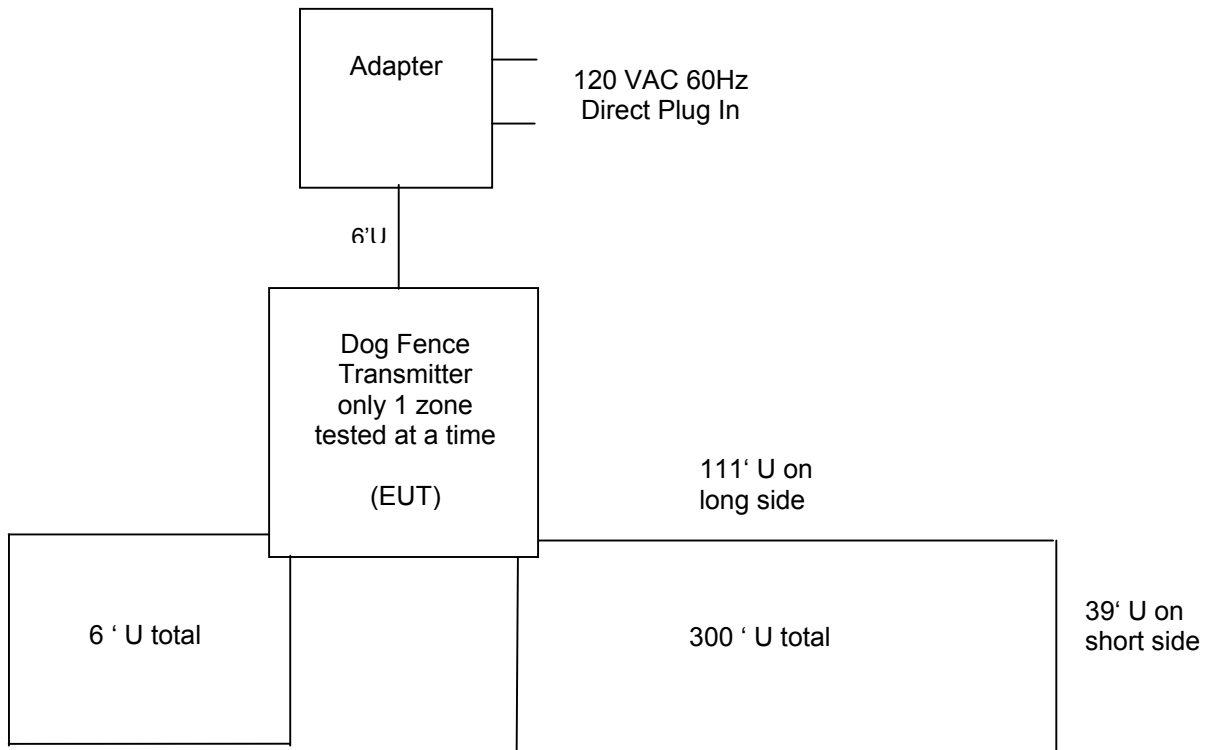


FIGURE 2a

Photograph(s) for Spurious and Fundamental Emissions



FIGURE 2b

Photograph(s) for Spurious and Fundamental Emissions



FIGURE 2c

Photograph(s) for Spurious and Fundamental Emissions

(Photograph Shows 1st portion of testing at 3 meters)



FIGURE 2d

Photograph(s) for Spurious and Fundamental Emissions



FIGURE 2e

Photograph(s) for Spurious and Fundamental Emissions



FIGURE 2f

Photograph(s) for Digital Device Emissions



FIGURE 2g

Photograph(s) for Digital Device Emissions



FIGURE 2h

Photograph(s) for Conducted Emissions



EUT and Peripherals

PERIPHERAL MANUFACTURER	MODEL NUMBER	SERIAL NUMBER	FCC ID:	CABLES P/D
Dog Fence Transmitter Radio Systems Corporation (EUT)	PRO-TX1	None	KE3PROTX1 (pending)	300' U 6' U
Adapter Manufacturer Unknown	300-021	None	N/A	6' U

TABLE 2
TEST INSTRUMENTS

TYPE	MANUFACTURER	MODEL	SN.
SPECTRUM ANALYZER	HEWLETT-PACKARD	8593E	3205A00124
SPECTRUM ANALYZER	HEWLETT-PACKARD	8558B	2332A09900
S A DISPLAY	HEWLETT-PACKARD	853A	2404A02387
COMB GENERATOR	HEWLETT-PACKARD	8406A	1632A01519
RF PREAMP	HEWLETT-PACKARD	8447D	1937A03355
BICONICAL ANTENNA	EMCO	3110	9307-1431
LOOP ANTENNA	AH SYSTEMS	SAS200/562	142
LOG PERIODIC ANTENNA	EMCO	3146	9110-3600
BILOG	CHASE	CBL6112A	2238
LISN	SOLAR ELE.	8028	N/A

Field Strength of Fundamental Emission (47 CFR 15.209)

Measurements were made using a peak detector. Field strength of the peak fundamental emission is shown in Tables 3.

For purposes of this test, the EUT was set to a maximum duty cycle, maximum TX power, and 10.65 kHz transmit frequency.

Duty Cycle Correction During 100 msec:

Although the Transmitter has a Duty Cycle associated with the output of the transmitter, Duty Cycle correction was not applied.

FIGURE 3

**Duty Cycle Correction Not Applied
Therefore This Page is Intentionally Left Blank**

TABLE 3

FIELD STRENGTH OF FUNDAMENTAL EMISSION

Test Date: August 13 & 14, 2002
UST Project: 02-0246
Customer: Radio Systems Corporation
Model: PRO-TX1

Peak Measurements, Average Limits
Zone 1

FREQ. (kHz)	TEST DATA (dBm) @ 10m	ANTENNA FACTOR + CABLE ATTENUATION	PEAK RESULTS (uV/m) @ 300m	AVERAGE FCC LIMITS (uV/m) @ 300m
10.65	-65.78	75.7	26.1	225.4

Zone 2

FREQ. (kHz)	TEST DATA (dBm) @ 10m	ANTENNA FACTOR + CABLE ATTENUATION	PEAK RESULTS (uV/m) @ 300m	AVERAGE FCC LIMITS (uV/m) @ 300m
10.65	-80.96	75.7	4.53	225.4

SAMPLE CALCULATIONS:

RESULTS uV/m @ 3m = Antilog $((-65.78 + 75.7 + 107 - 88.6)/20) = 26.1$

CONVERSION FROM dBm TO dBuV = 107 dB

CORRECTION FROM 10m TO 300m = -88.6 dB

Tested By: 

Name: Austin E. Thompson, Jr.

Field Strength Of Spurious Emissions (47 CFR 15.209)

Measurements were made using a peak detector. Field strength of Spurious Emissions are shown in Table 4. For all emission measurements made the limits given in 15.209 were applied.

For purposes of this test, the EUT was set to a maximum duty cycle, maximum TX power, and 10.65 kHz transmit frequency.

TABLE 4

FIELD STRENGTH OF SPURIOUS EMISSIONS

Test Date: August 13 & 14, 2002
 UST Project: 02-0246
 Customer: Radio Systems Corporation
 Model: PRO-TX1

**Peak Readings (< 30 MHz), Average Limits
 Zone 1**

FREQ. (kHz.)	TEST DATA (dBm) @ 10m	ANTENNA FACTOR + CABLE ATTENUATION	PEAK RESULTS (uV/m) @ 300m	AVERAGE FCC LIMITS (uV/m) @ 300m
24.5	-91.4	70.2	0.72	98.0
31.2	-90.9	68.2	0.61	76.9

Zone 2

FREQ. (kHz.)	TEST DATA (dBm) @ 10m	ANTENNA FACTOR + CABLE ATTENUATION	PEAK RESULTS (uV/m) @ 300m	AVERAGE FCC LIMITS (uV/m) @ 300m
19.97	-82.5	71.8	2.4	120.2
40.01	-77.1	46.6	0.25	60.0

** = Ground Floor

SAMPLE CALCULATIONS:

RESULTS uV/m @ 3m = Antilog $((-91.4 + 70.2 + 107 - 88.6)/20) = 0.72$
 CONVERSION FROM dBm TO dBuV = 107 dB
 CORRECTION FROM 10m TO 300m = -88.6 dB

Tested By: 

Name: Austin E. Thompson Jr.

Radiated Emissions (47 CFR 15.109a)

Radiated emissions were evaluated from 30 to 1000 MHz. Measurements were made with the analyzer's bandwidth set to 120 kHz. These results are shown Table 5.

TABLE 5

FIELD STRENGTH OF SPURIOUS EMISSIONS (47 CFR 15.209)

CLASS B

Test Date: August 13, 2002
UST Project: 02-0246
Customer: Radio Systems Corporation
Model: PRO-TX1

Digital Device Emissions actually tested while in TX Mode

Frequency (MHz)	Test Data (dBm) @3m	Ant. Factor + Cable Atten. - Amp Gain	Results (uV/m)	FCC Limits (uV/m) @3m	Margin Below FCC Limit (dB)
No emissions signals were seen from the EUT between the range of 30 MHz to 1 GHz					

Tested by
Signature:  **Name:** David Blethen

Power Line Conducted Emissions (47 CFR 15.107a)

Conducted Emissions were evaluated from 450 kHz to 30 MHz. Measurements were made with the analyzer's bandwidth set to 9 kHz, emissions are shown in Table 6. The EUT was checked with a 300' fence length.

TABLE 6a CONDUCTED EMISSIONS DATA**CLASS B**

Test Date: August 13, 2002
UST Project: 02-0246
Customer: Radio Systems Corporation
Model: PRO-TX1

(PEAK/QP vs. QP LIMITS)

PHASE MEASUREMENT

FREQ. (MHz)	TEST DATA (dBuV) PHASE	LISN LOSS (dB) PHASE	CABLE FACTOR (dB)	RESULTS (dBuV) PHASE	FCC LIMITS (dBuV)	MARGIN BELOW LIMIT (dB) PHASE
0.15	57.8	0.3	0.1	58.2	66.0	7.8
1.49	22.8	0.1	0.1	23.0	56.0	33.0
3.38	22.2	0.1	0.4	22.6	56.0	33.4
5.96	18.8	0.1	0.4	19.3	60.0	40.7
7.80	18.3	0.1	0.4	18.8	60.0	41.2
25.38	18.7	0.1	0.8	19.7	60.0	40.3

EN55022 Limits were used since they are considered more restrictive than the current FCC Limits and also to show compliance with the New Harmonized Limits that will soon be implemented by the FCC.

SAMPLE CALCULATIONS:

RESULTS dBuV = $57.8 + 0.3 + 0.1 = 58.2$

Tested by
 Signature:  Name: David Blethen

TABLE 6b CONDUCTED EMISSIONS DATA**CLASS B**

Test Date: August 13, 2002
UST Project: 02-0246
Customer: Radio Systems Corporation
Model: PRO-TX1

(PEAK/QP vs. QP LIMITS)

NEUTRAL DATA

FREQUENCY (MHz)	TEST DATA (dBuV) NEUTRAL	LISN LOSS (dB) NEUTRAL	CABLE FACTOR (dB)	RESULTS (dBuV) NEUTRAL	EN55022 CLASS A LIMITS (dBuV)	MARGIN BELOW LIMIT (dB) NEUTRAL
0.15	58.2	0.3	0.1	58.6	66.0	7.4
1.49	18.9	0.1	0.1	19.1	56.0	36.9
10.79	15.2	0.1	0.5	15.8	60.0	44.3
17.10	15.8	0.1	0.6	16.5	60.0	43.5
21.40	15.0	0.1	0.8	15.9	60.0	44.1
23.88	16.0	0.1	0.8	16.9	60.0	43.1

EN55022 Limits were used since they are considered more restrictive than the current FCC Limits and also to show compliance with the New Harmonized Limits that will soon be implemented by the FCC.

SAMPLE CALCULATIONS:

$$\text{RESULTS dBuV} = 58.2 + 0.3 + 0.1 = 58.6$$

Tested by

Signature:

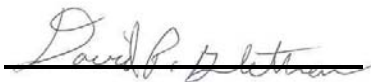

Name: David Blethen

TABLE 6c CONDUCTED EMISSIONS DATA

CLASS B

Test Date: August 13, 2002
 UST Project: 02-0246
 Customer: Radio Systems Corporation
 Model: PRO-TX1

(AVERAGE vs. AVERAGE LIMITS)

PHASE MEASUREMENT

FREQ. (MHz)	TEST DATA (dBuV) PHASE	LISN LOSS (dB) PHASE	CABLE FACTOR (dB)	RESULTS (dBuV) PHASE	FCC LIMITS (dBuV)	MARGIN BELOW LIMIT (dB) PHASE
0.15	12.6	0.3	0.1	13.0	56.0	43.0
1.49	11.0	0.1	0.1	11.3	46.0	34.7
3.38	8.1	0.1	0.4	8.6	46.0	37.4
5.96	6.2	0.1	0.4	6.7	50.0	43.3
7.80	5.8	0.1	0.4	6.3	50.0	43.3
25.38	11.3	0.1	0.8	12.3	50.0	37.7

EN55022 Limits were used since they are considered more restrictive than the current FCC Limits and also to show compliance with the New Harmonized Limits that will soon be implemented by the FCC.

SAMPLE CALCULATIONS:

RESULTS dBuV = $12.6 + 0.3 + 0.1 = 13.0$

Tested by
 Signature:  Name: David Blethen

TABLE 6d CONDUCTED EMISSIONS DATA

CLASS B

Test Date: August 13, 2002
 UST Project: 02-0246
 Customer: Radio Systems Corporation
 Model: PRO-TX1

(AVERAGE vs. AVERAGE LIMITS)

NEUTRAL DATA

FREQUENCY (MHz)	TEST DATA (dBuV) NEUTRAL	LISN LOSS (dB) NEUTRAL	CABLE FACTOR (dB)	RESULTS (dBuV) NEUTRAL	EN55022 CLASS A LIMITS (dBuV)	MARGIN BELOW LIMIT (dB) NEUTRAL
0.15	7.0	0.3	0.1	7.4	56.0	48.6
1.49	4.7	0.1	0.1	5.0	46.0	41.0
10.79	4.1	0.1	0.5	4.7	50.0	45.3
17.10	4.5	0.1	0.6	5.2	50.0	44.8
21.40	4.3	0.1	0.8	5.2	50.0	44.9
23.88	4.1	0.1	0.8	5.0	50.0	45.0

EN55022 Limits were used since they are considered more restrictive than the current FCC Limits and also to show compliance with the New Harmonized Limits that will soon be implemented by the FCC.

SAMPLE CALCULATIONS:

$$\text{RESULTS dBuV} = 7.0 + 0.3 + 0.1 = 7.4$$

Tested by
 Signature: 

Name: David Blethen